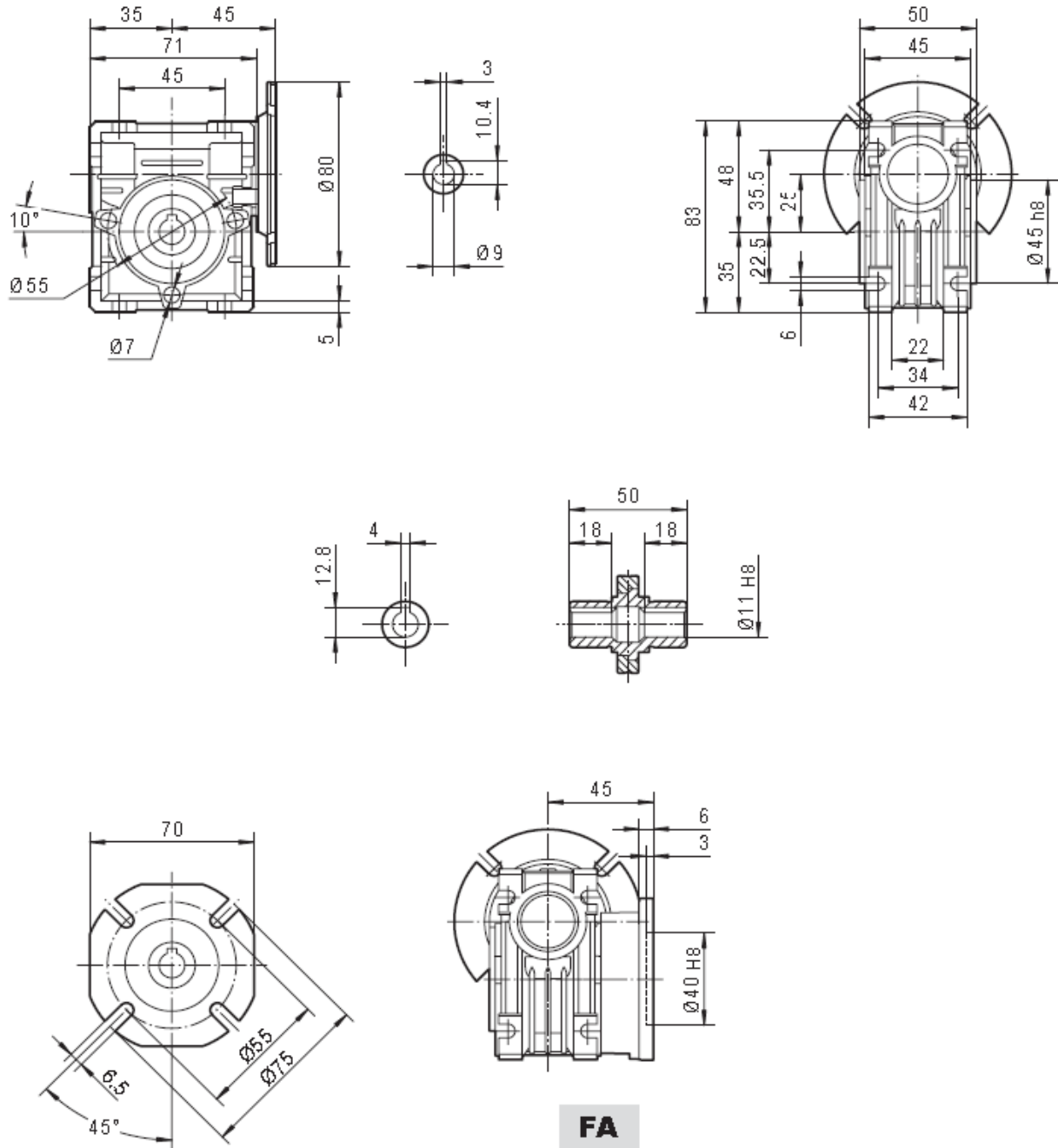




# Worm Gear Units



## DIMENSIONS FCNDK25



Weight without motor = 0.7 Kg