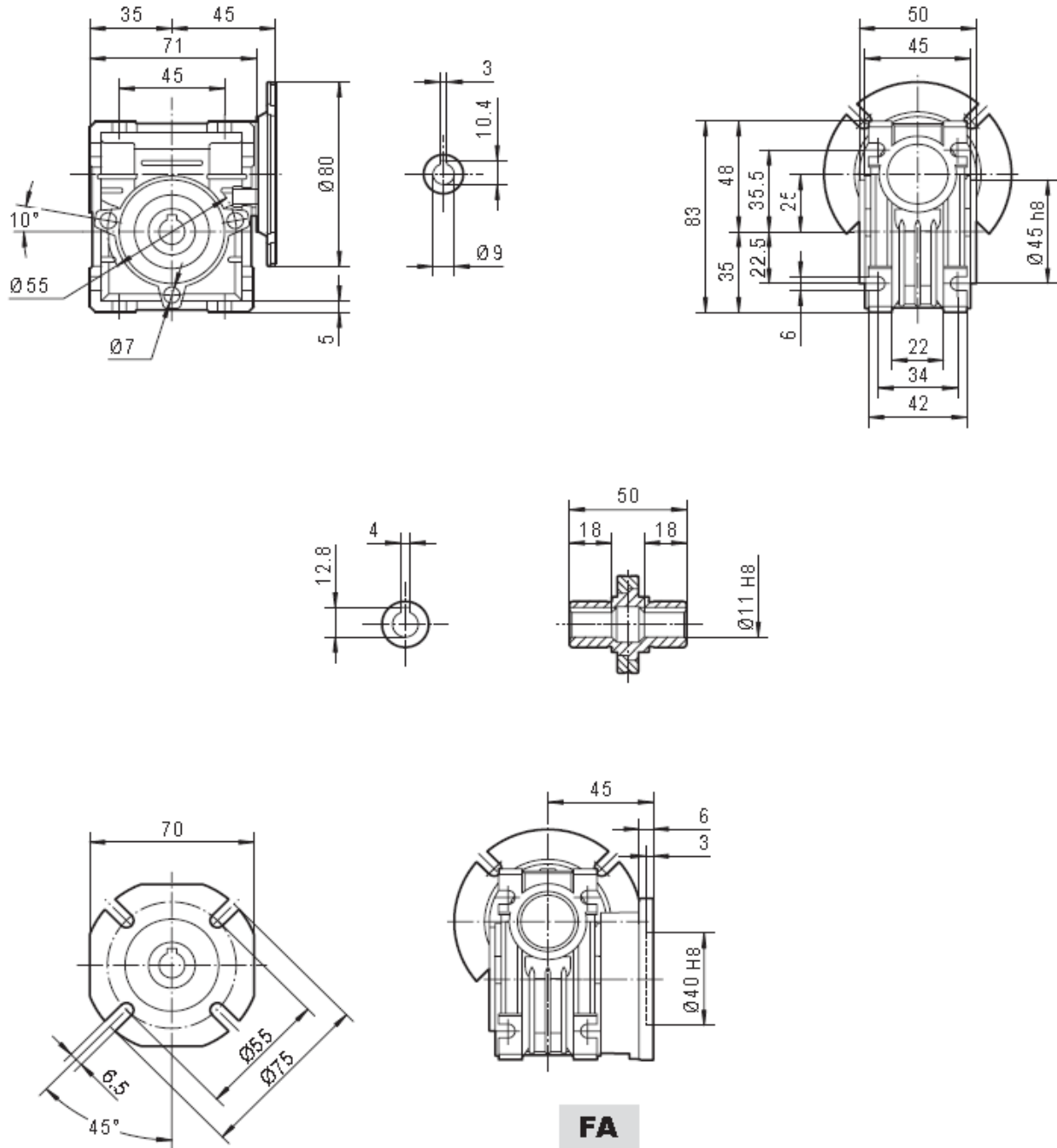




Worm Gear Units



DIMENSIONS FCNDK25



Weight without motor = 0.7 Kg