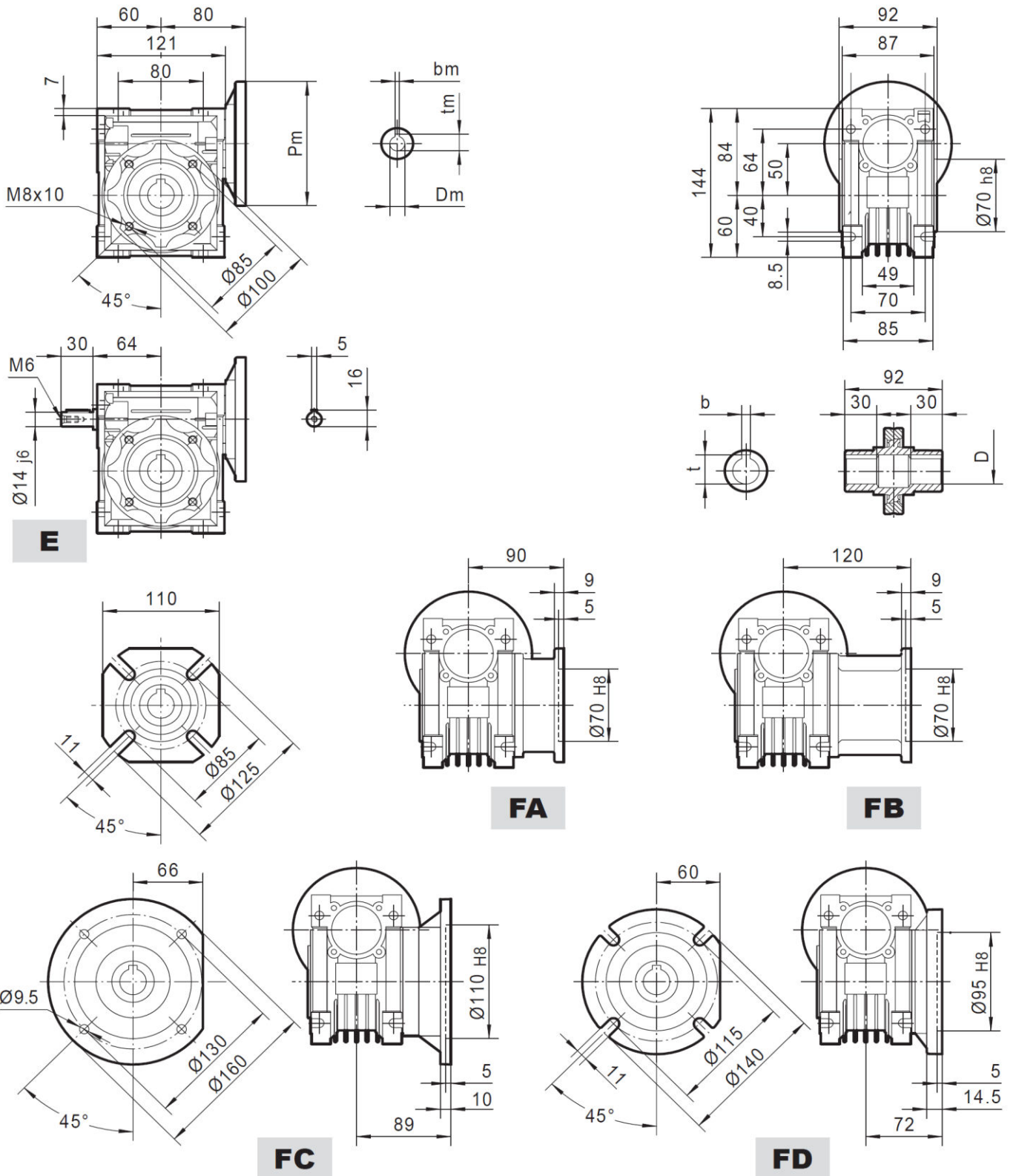


TEC FCNDK 50 Worm Gearbox



PAM IEC	Pm	Dm	bm	tm	D (H8)	b	t
80B5	200	19	6	21.8	25	8	28.3
71B5	160	14	5	16.3	24*	8	27.3
63B5	140	11	4	12.8	* Only on request Weight without motor 3.5 Kg		
80B14	120	19	6	21.8			
71B14	105	14	5	16.3			
63B14	90	11	4	12.8			