



Customer information packet

CECP84312T-4

50HP, 1185RPM, 3PH, 60HZ, 365TC, A36062M, TEFC

ELECTRIC MOTOR WHOLESALE.COM

Class - None

Division - Division II

Specifications

Enclosure	TEFC
Frame	365TC
Frame Material	Iron
Frequency	60.00 Hz
Motor Letter Type	Three Phase
Output @ Frequency	50.000 HP @ 60 HZ
Phase	3
Synchronous Speed @ Frequency	1200 RPM @ 60 HZ
Voltage @ Frequency	460.0 V @ 60 HZ
XP Class and Group	None
XP Division	Division II
Agency Approvals	UR CCSA US
Ambient Temperature	40 °C
Auxillary Box	No Auxillary Box
Base Indicator	Rigid
Bearing Grease Type	Polyrex EM (-20F +300F)
Constant Torque Speed Range	6-60
Current @ Voltage	61.700 A @ 460.0 V
Design Code	B
Drip Cover	No Drip Cover
Duty Rating	CONT
Efficiency @ 100% Load	94.1 %
Enclosure Modification	841
Feedback Device	NO FEEDBACK
Heater Indicator	No Heater
High Voltage Full Load Amps	61.7 a
Insulation Class	B
Inverter Code	Inverter Ready
IP Rating	IP56
KVA Code	F
Lifting Lugs	Standard Lifting Lugs

Part detail

Revision	E
Type	AC
Mech. spec.	
Base	
Status	PRD/A
Elec. spec.	A36WG0777
Layout	617428-620
Eff. date	09-29-2021
CD Diagram	416820-036
Poles	06
Leads	3#4
Proprietary	False
Created date	01-03-2019

Motor Lead Quantity/Wire Size	3 @ 4 AWG
Motor Standards	NEMA
Motor Type	A36062M
Mounting Arrangement	F1
No Load Current	20.8 a
Number of Poles	6
Overall Length	33.48 IN
Power Factor	81
Product Family	General Industrial
Pulley End Bearing Type	Ball
Pulley Face Code	C-Face
Service Factor	1.15
Shaft Diameter	2.374 IN
Shaft Ground Indicator	No Shaft Grounding
Shaft Rotation	Reversible
Shaft Slinger Indicator	No Slinger
Speed	1185 rpm
Speed Code	Single Speed
Starting Method	Direct on line
Thermal Device - Winding	None
XP Temp Code	T3A

Nameplate

NP2496L	
MOBIL POLYREX EM	

000613007EX

CAT NO	CECP84312T-4	SPEC NO.	A36-7237-0777
NO. ROTOR BARS	55	GREASE TYPE	POLYREX EM
NO. SLOTS	72	NL AMPS AT RATED VOLTAGE	20.8
5 YEAR WARRANTY		WINDING RES @25 C	.12973 OHMS
MFG. DATE		SER.NO	

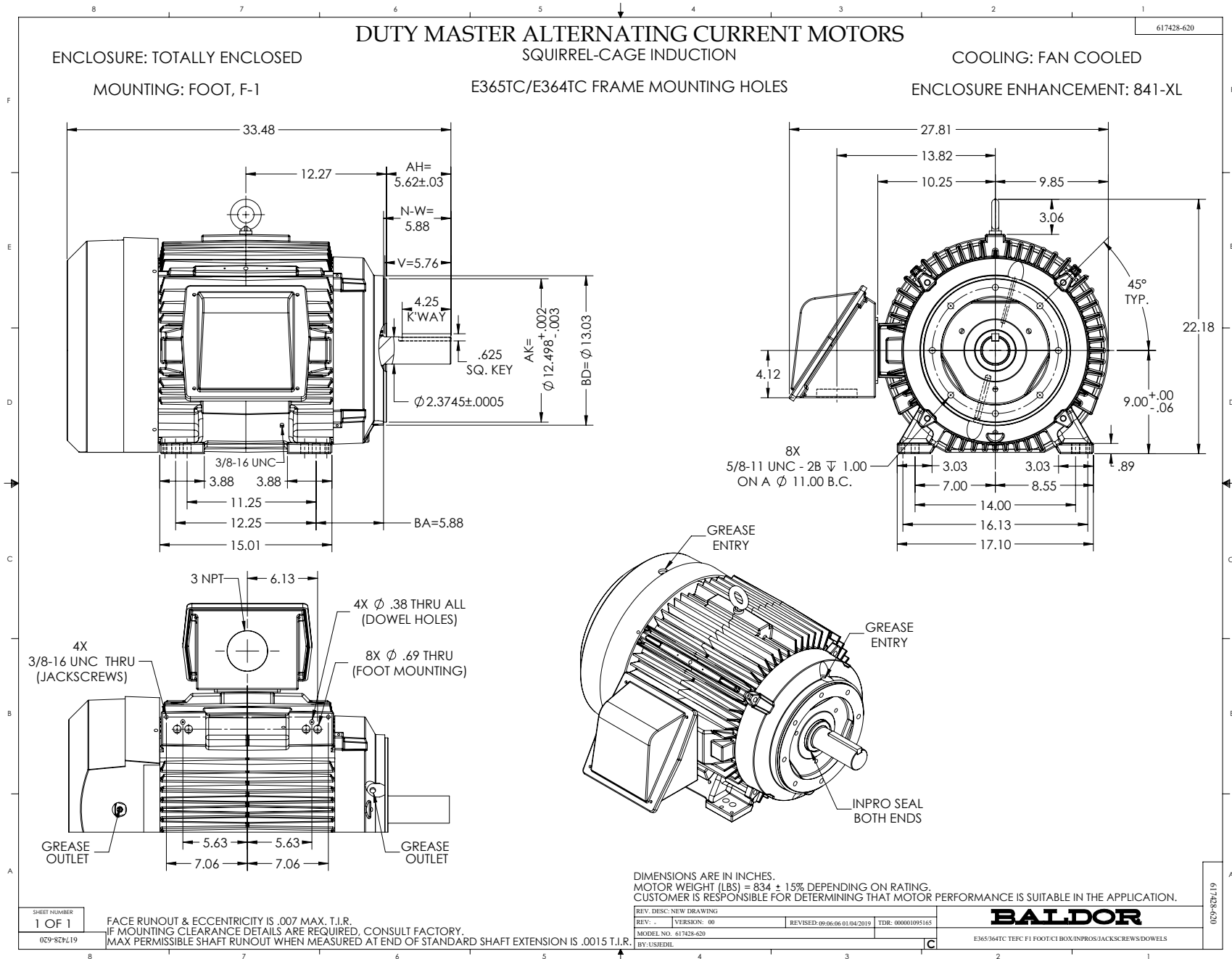
NP3237

CAT NO	CECP84312T-4	SPEC NO.	A36-7237-0777						
HP	50	AMPS	61.7	VOLTS	460	DESIGN	B		
FRAME SIZE	365TC	RPM	1185	HZ	60	AMB	40	SF	1.15
D.E. BRG.DATA	6313	O.D.E. BRG.DATA	6313	PH	3	DUTY	CONT	INSUL.CLASS	B
D.E. BRG.	65BC03J30X	TYPE P	P	ENCL	TEFC	CODE	F		
O.D.E. BRG.	65BC03J30X	POWER FACTOR	81	NEMA-NOM-EFFICIENCY	94.1				
3/4 LOAD EFF.	94.4	IP	56	MAX CORR KVAR	14	GUARANTEED EFFICIENCY	93		
TEMP CODE	T3A	TEMP =	180						
CHP HZ	60-90	CT HZ	6-60	VT HZ	0-60				
INVERTER-TEMP-CODE	T3A								
SER.NO.		MOTOR WEIGHT	925						

Parts list

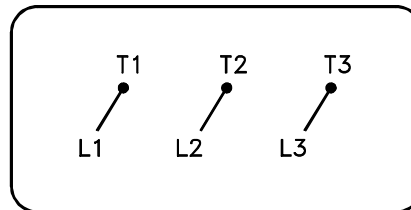
Part number	Description	Quantity
SA364599	SA A36-7237-0777	1.000 ea
RA353933	RA A36-7237-0777	1.000 ea
421948051	LABEL, MYLAR	1.000 ea
NP2496L	MOTOR LUBE NAMEPLATE	1.000 ea
000613006PU	N/P (RELEASE QTY 10,000) UL CSA LABEL	1.000 ea
000613007EX	SS IEEE 841 EMBOSSED AUXILIARY NAMEPLATE	1.000 ea
000692000JP	N/P	1.000 ea
000692000VH	N/P (RELEASE 1000 PCS)	1.000 ea
000692000VD	LABEL WARNING	1.000 ea
NP3237	SS SUPER E INVERTER DUTY IEEE 841	1.000 ea
085922083BH	BRKT 360 085922072WCC KB	1.000 ea
415072001B	CLAMP	1.000 ea
078559034A	+F/C A 078559001A - 360	1.000 ea
034180012DA	KEY 1X4X1/4X1-1/2 L	1.000 ea
412118006A	DRAIN	1.000 ea
078550001M	FAN KB 60/30 (30) 360	1.000 ea
004824015A	GREASE POLYREX EM	0.540 lb
032018012DK	HHCS 1/2-13X1-1/2 PLTD. 032018012DR	4.000 ea
032018008AK	HHCS 1/4-20X1 PLATED	4.000 ea
032018024CK	HHCS 3/8-16X3 PLTD.	3.000 ea
415096002A	CPLG 1/8 HEX TYPE	1.000 ea
410700004F	WSHR	1.000 ea
423709011C	WASHER	3.000 ea
035000001G	GREASE RELIEF FITTING, ALEMITE 317400	1.000 ea
034530052AB	P/NIP 1/8X6-1/2 Zinc	1.000 ea
034530032BB	P/NIP 1/4X4" SCHED 40	1.000 ea
034630002AB	CPLG 1/4" PLATED	1.000 ea
415028079E	INPRO SEAL,,625 WIDE,313 BRG	1.000 ea
034600001AA	BUSH 1/4TO1/8 BLACK	1.000 ea
034600001AA	BUSH 1/4TO1/8 BLACK	1.000 ea
085922070HA	E360 C FACE BRKT 6313 TEFC-4.64"-INPRO	1.000 ea

032018012DK	HHCS 1/2-13X1-1/2 PLTD. 032018012DR	4.000 ea
032018024CK	HHCS 3/8-16X3 PLTD.	3.000 ea
412118006A	DRAIN	1.000 ea
423709011C	WASHER	3.000 ea
415028079E	INPRO SEAL,,625 WIDE,313 BRG	1.000 ea
035000001G	GREASE RELIEF FITTING, ALEMITE 317400	1.000 ea
076708000BB	CONDUIT BOX-360	1.000 ea
415039016A	TERBD, 360-400	1.000 ea
076709000A	C/B Cover - 360	1.000 ea
067053000B	GASK 320-400	1.000 ea
418150003A	GREASE FITTING CAP	1.000 ea
032018010CK	HHCS 3/8-16X1-1/4 PLTD. 032018010CR	4.000 ea
035000001A	ALFTG 1/8" 1610-BL	1.000 ea
415000115H	T/LUG #2AWG-4/0AWG	1.000 ea
033512008LB	HHTTS 1/4-20X1 PLATED	4.000 ea
406099000A	PLUG - FAN COVER 320-440	1.000 ea
034000014AB	WSH ID.406 OD.812 TH.065	4.000 ea
035000001A	ALFTG 1/8" 1610-BL	1.000 ea
418150003A	GREASE FITTING CAP	1.000 ea
MG1025N19	WILKO 778.50 BLUE GREEN - 55 GAL DRUMS	0.250 ga
033775004EA	DRSCR #6-1/4 304 S.S.	4.000 ea
034180034HA	KEY 5/8X5/8X4-1/4 L	1.000 ea
HW1000A32	5/16 FL WASHER WIDE,ID=.344,OD=1.125	3.000 ea
032509020C	CARRIAGE BOLT - 360	3.000 ea
LB1449	DIV-2/NEC WARNING LABEL	1.000 ea
14PA1000	PACKAGING 314 GROUP COMBINED PRINT	1.000 ea
032018005DL	1/2-13 X 5/8 SILICON BRONZE HHCS	1.000 ea



416820-036

A-C MOTOR
CONNECTION DIAGRAM
STANDARD 3 LEAD CONNECTED



(N.P. 1575-BA)

416820-036

REV. DESC: LOADED TO BUS, C/R 335225		
REV. LTR: -	VERSION: 00	TDR: 000000538207
FILE: \MGA\00000\682	REVISED: 11:54:06 04/30/2010	
MTL: -	BY: RAGRA	

BALDOR

CONN DIAG - STANDARD 3 LEAD
SH 1 of 1