

BALDOR® • RELIANCE 

Product Information Packet

EM4107T-5

25HP,3525RPM,3PH,60HZ,284TS,0946M,TEFC,F

Part Detail							
Revision:	E	Status:	PRD/A	Change #:		Proprietary:	No
Type:	AC	Elec. Spec:	09WGT369	CD Diagram:	CD0006	Mfg Plant:	
Mech. Spec:	09F629	Layout:	09LYF629	Poles:	02	Created Date:	03-14-2018
Base:	RG	Eff. Date:	02-25-2022	Leads:	3#10		

Specs			
Catalog Number:	EM4107T-5	Insulation Class:	F
Enclosure:	TEFC	Inverter Code:	Inverter Ready
Frame:	284TS	KVA Code:	J
Frame Material:	Iron	Lifting Lugs:	Standard Lifting Lugs
Motor Letter Type:	Three Phase	Locked Bearing Indicator:	Locked Bearing
Output @ Frequency:	25.000 HP @ 60 HZ	Motor Lead Quantity/Wire Size:	3 @ 10 AWG
Synchronous Speed @ Frequency:	3600 RPM @ 60 HZ	Motor Lead Exit:	Ko Box
Voltage @ Frequency:	575.0 V @ 60 HZ	Motor Lead Termination:	Flying Leads
XP Class and Group:	None	Motor Type:	0946M
XP Division:	Not Applicable	Mounting Arrangement:	F1
Agency Approvals:	CSA	Power Factor:	88
	CSA EEV	Product Family:	General Purpose
	UR	Pulley End Bearing Type:	Ball
Auxillary Box:	No Auxillary Box	Pulley Face Code:	Standard
Auxillary Box Lead Termination:	None	Pulley Shaft Indicator:	Standard
Base Indicator:	Rigid	Rodent Screen:	None
Bearing Grease Type:	Polyrex EM (-20F +300F)	Shaft Extension Location:	Pulley End
Blower:	None	Shaft Ground Indicator:	No Shaft Grounding

Current @ Voltage:	23.000 A @ 575.0 V	Shaft Rotation:	Reversible
Design Code:	A	Shaft Slinger Indicator:	Shaft Slinger
Drip Cover:	No Drip Cover	Speed Code:	Single Speed
Duty Rating:	CONT	Motor Standards:	NEMA
Electrically Isolated Bearing:	Not Electrically Isolated	Starting Method:	Direct on line
Feedback Device:	NO FEEDBACK	Thermal Device - Bearing:	None
Front Face Code:	Standard	Thermal Device - Winding:	None
Front Shaft Indicator:	None	Vibration Sensor Indicator:	No Vibration Sensor
Heater Indicator:	No Heater	Winding Thermal 1:	None
		Winding Thermal 2:	None

Nameplate NP3443L										
CAT.NO.	EM4107T-5				CUST. P/N				ENCL	TEFC
SPEC.	09F629T369G1		CC	010A	FRAME	284TS		SER.NO.		
HP	25		CLASS	F	HZ	60				
R.P.M.	3525		PH	3	DES	A				
VOLTS	575		CODE	J	ODE BRG	6208		DE BRG	6311	
AMPS	23		USABLE AT 208V							
RATING	40C AMB-CONT		NEMA NOM. EFF.	91.7			GREASE	POLYREX EM		
P.F.	88		SER.F.	1.15		VPWM INVERTER READY				
HTR-VOLTS			HTR-AMPS			HTR-WATTS				

AC Induction Motor Performance Data

Record # 59038

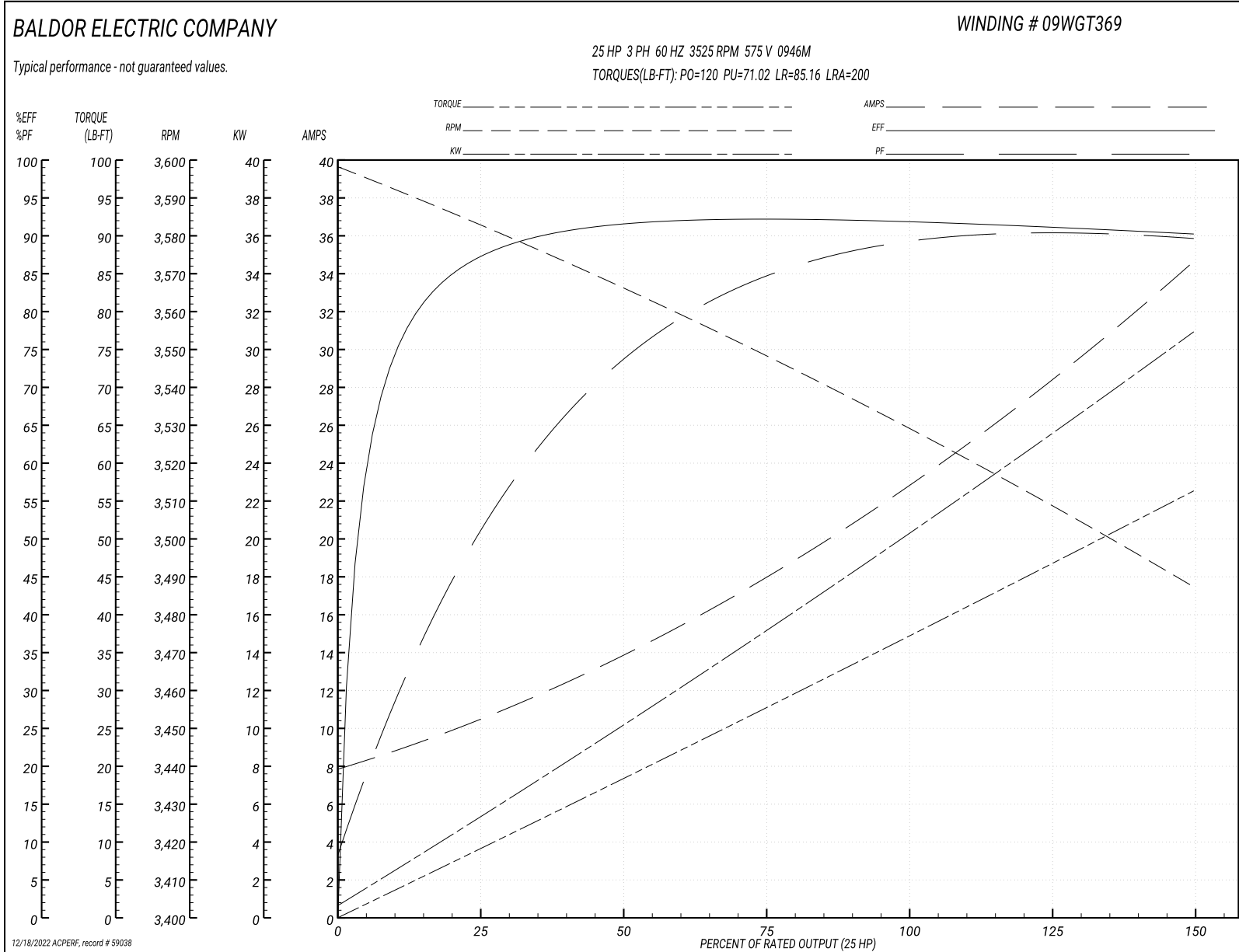
Typical performance - not guaranteed values

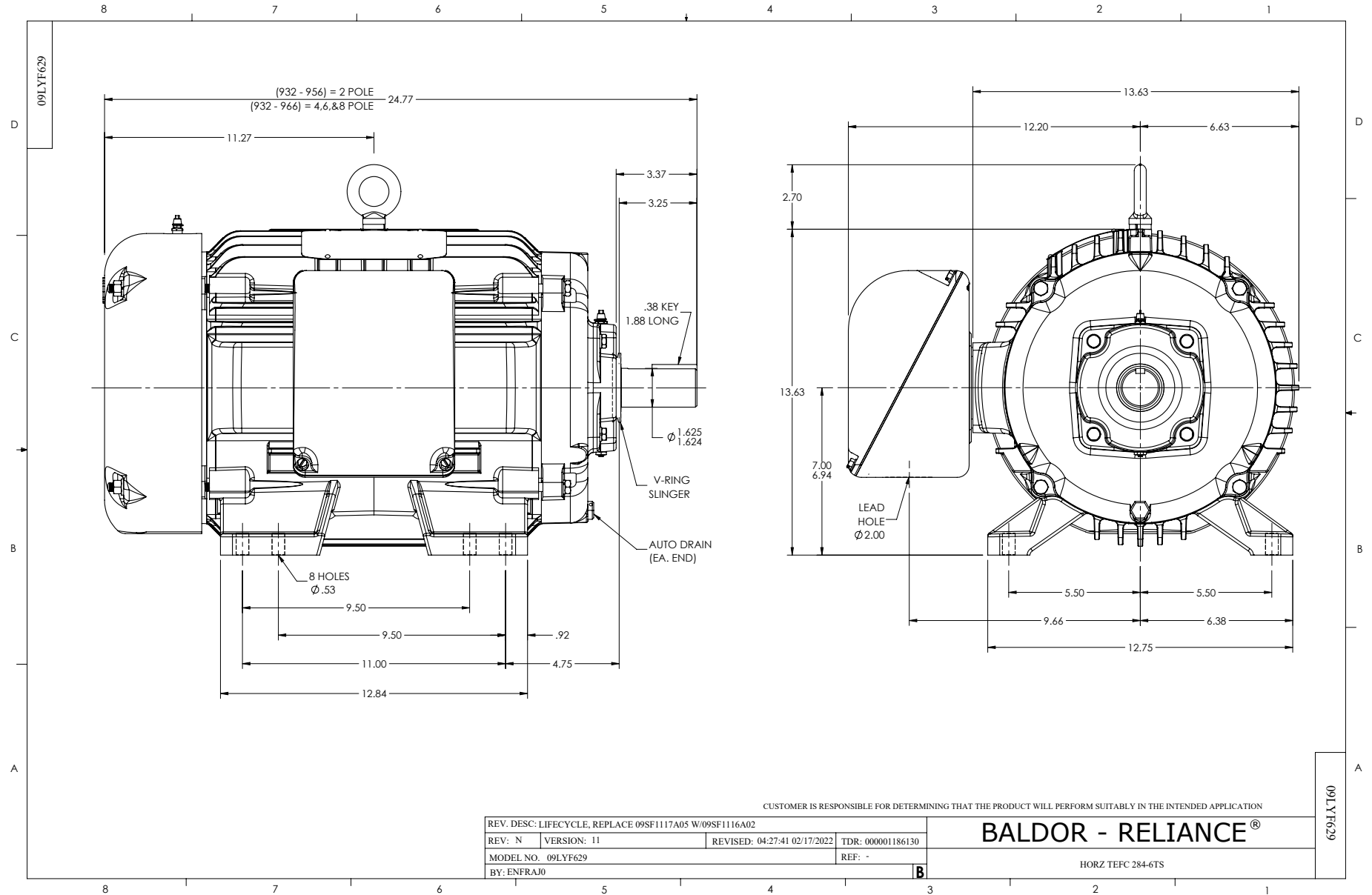
Winding: 09WGT369-R001		Type: 0946M	Enclosure: TEFC
Nameplate Data		575 V, 60 Hz: Single Voltage Motor	
Rated Output (HP)	25	Full Load Torque	37.15 LB-FT
Volts	575	Start Configuration	direct on line
Full Load Amps	23	Breakdown Torque	120 LB-FT
R.P.M.	3525	Pull-up Torque	71.02 LB-FT
Hz	60 Phase	Locked-rotor Torque	85.16 LB-FT
NEMA Design Code	A KVA Code	Starting Current	200 A
Service Factor (S.F.)	1.15	No-load Current	8.28 A
NEMA Nom. Eff.	91.7 Power Factor	Line-line Res. @ 25°C	0.441 Ω
Rating - Duty	40C AMB-CONT	Temp. Rise @ Rated Load	84°C
S.F. Amps		Temp. Rise @ S.F. Load	103°C
		Locked-rotor Power Factor	29.4
		Rotor inertia	1.17 LB-FT ²

Load Characteristics 575 V, 60 Hz, 25 HP

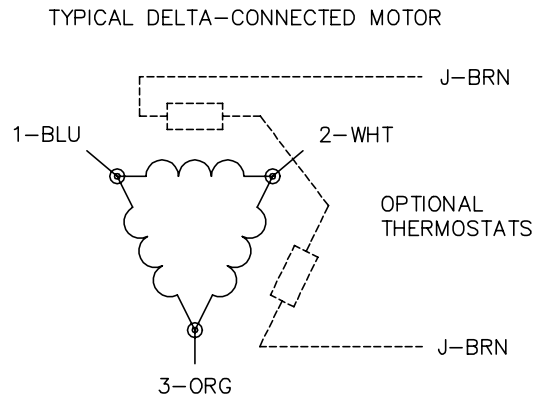
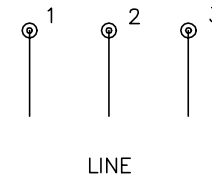
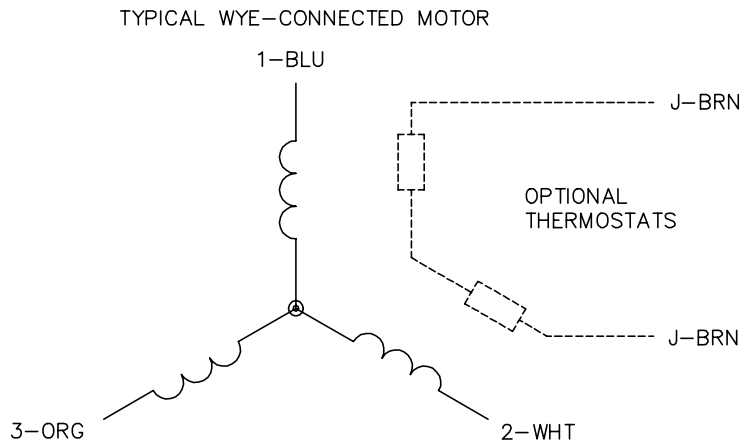
% of Rated Load	25	50	75	100	125	150	S.F.
Power Factor	54	75	84	88	90	90	89
Efficiency	87	91.3	92.2	91.9	91.1	90.2	91.4
Speed	3582	3565	3550	3529	3509	3487	3517
Line amperes	9.93	13.56	18.15	23.1	28.66	34.35	26.4

Performance Graph at 575V, 60Hz, 25.0HP Typical performance - Not guaranteed values





CD0006



NOTES:

1. THREE LEAD MOTOR MAY BE EITHER WYE CONNECTED OR DELTA CONNECTED.
2. INTERCHANGE ANY TWO LINE LEADS TO REVERSE ROTATION.
3. OPTIONAL THERMOSTATS ARE PROVIDED WHEN SPECIFIED.
4. ACTUAL NUMBER OF INTERNAL PARALLEL CIRCUITS MAY VARY.
5. LEAD COLORS ARE OPTIONAL. LEADS MUST BE NUMBERED AS SHOWN.

CD0006

REV. DESC: ADD CLASS CONN00000007		
REV. LTR: E	VERSION: 01	TDR: 000001099922
FILE: \AAA\00005\141	REVISED: 10:24:49 02/19/2019	BY: ENBRIRO
MTL: -	© □	

BALDOR - RELIANCE®

3PH, SV, 3 LEADS, WYE OR DELTA CONNECTED

SH 1 of 1