

**BALDOR® • RELIANCE** 

**Product Information Packet**

**VP3468D**

**1.1/1.5HP,3000RPM,DC,D90D,3432P,TEFC,F2**

| Part Detail |      |             |       |                |          |               |            |
|-------------|------|-------------|-------|----------------|----------|---------------|------------|
| Revision:   | K    | Status:     | PRD/A | Change #:      |          | Proprietary:  | No         |
| Type:       | DC   | Prod. Type: | 3432P | Elec. Spec:    | 34WGZ178 | CD Diagram:   | CD0194     |
| Enclosure:  | TEFC | Mfg Plant:  |       | Mech. Spec:    | 34-6484  | Layout:       | 34LY6484   |
| Frame:      | D90D | Mounting:   | B35   | Poles:         | 00       | Created Date: |            |
| Base:       | RG   | Rotation:   | R     | Insulation:    | F        | Eff. Date:    | 09-28-2022 |
| Field Type: |      | Literature: |       | Elec. Diagram: |          | Replaced By:  |            |

| Specs                |                         |  |  |
|----------------------|-------------------------|--|--|
| Enclosure:           | TEFC                    |  |  |
| Frame:               | D90D                    |  |  |
| Frame Material:      | Steel                   |  |  |
| XP Class and Group:  | None                    |  |  |
| Agency Approvals:    | CE                      |  |  |
|                      | CSA                     |  |  |
|                      | UR                      |  |  |
|                      | WEEE                    |  |  |
| Base Indicator:      | Rigid                   |  |  |
| Bearing Grease Type: | Polyrex EM (-20F +300F) |  |  |
| Drip Cover:          | No Drip Cover           |  |  |
| Duty Rating:         | CONT                    |  |  |
| Feedback Device:     | NO FEEDBACK             |  |  |
| Frame Prefix:        | D                       |  |  |
| Heater Indicator:    | No Heater               |  |  |
| Insulation Class:    | F                       |  |  |

|                                       |                    |  |  |
|---------------------------------------|--------------------|--|--|
| <b>Lifting Lugs:</b>                  | No Lifting Lugs    |  |  |
| <b>Motor Lead Quantity/Wire Size:</b> | 2 @ 14 AWG         |  |  |
| <b>Motor Lead Exit:</b>               | Ko Box             |  |  |
| <b>Motor Lead Termination:</b>        | Flying Leads       |  |  |
| <b>Mounting Arrangement:</b>          | B35                |  |  |
| <b>Product Family:</b>                | General Purpose    |  |  |
| <b>Pulley End Bearing Type:</b>       | Sealed Bearing     |  |  |
| <b>Shaft Extension Location:</b>      | Pulley End         |  |  |
| <b>Shaft Ground Indicator:</b>        | No Shaft Grounding |  |  |
| <b>Shaft Rotation:</b>                | Reversible         |  |  |
| <b>Shaft Slinger Indicator:</b>       | No Slinger         |  |  |
| <b>Motor Standards:</b>               | IEC                |  |  |
| <b>XP Division:</b>                   | Not Applicable     |  |  |

| Nameplate NP1049L |                          |          |                          |
|-------------------|--------------------------|----------|--------------------------|
| CAT.NO.           | VP3468D                  |          |                          |
| SPEC.             | 34-6484Z178              |          |                          |
| KW/HP             | 1.1/1.5 TE               | I.P.     | 54                       |
| RPM               | 3000 TE                  |          |                          |
| IEC FRAME         | D90D                     | TYPE     | 3432P                    |
| ARM V             | 180                      | ARM A    | 7.7                      |
| FLD V             |                          | FLD A    |                          |
| INSUL             | F                        | AMB.     | 40                       |
| DUTY              | CONT                     | SUPPLY   | 1.5                      |
| BRG/DE            | 6205                     | BRG/ODE  | 6203                     |
| BRUSHES           | 2/BP5000AW14             |          |                          |
| SER.              | BLANK                    |          |                          |
| BLANK             |                          |          |                          |
| APRV-CE           | <input type="checkbox"/> | APRV-CSA | <input type="checkbox"/> |
|                   |                          | APRV-UL  | <input type="checkbox"/> |

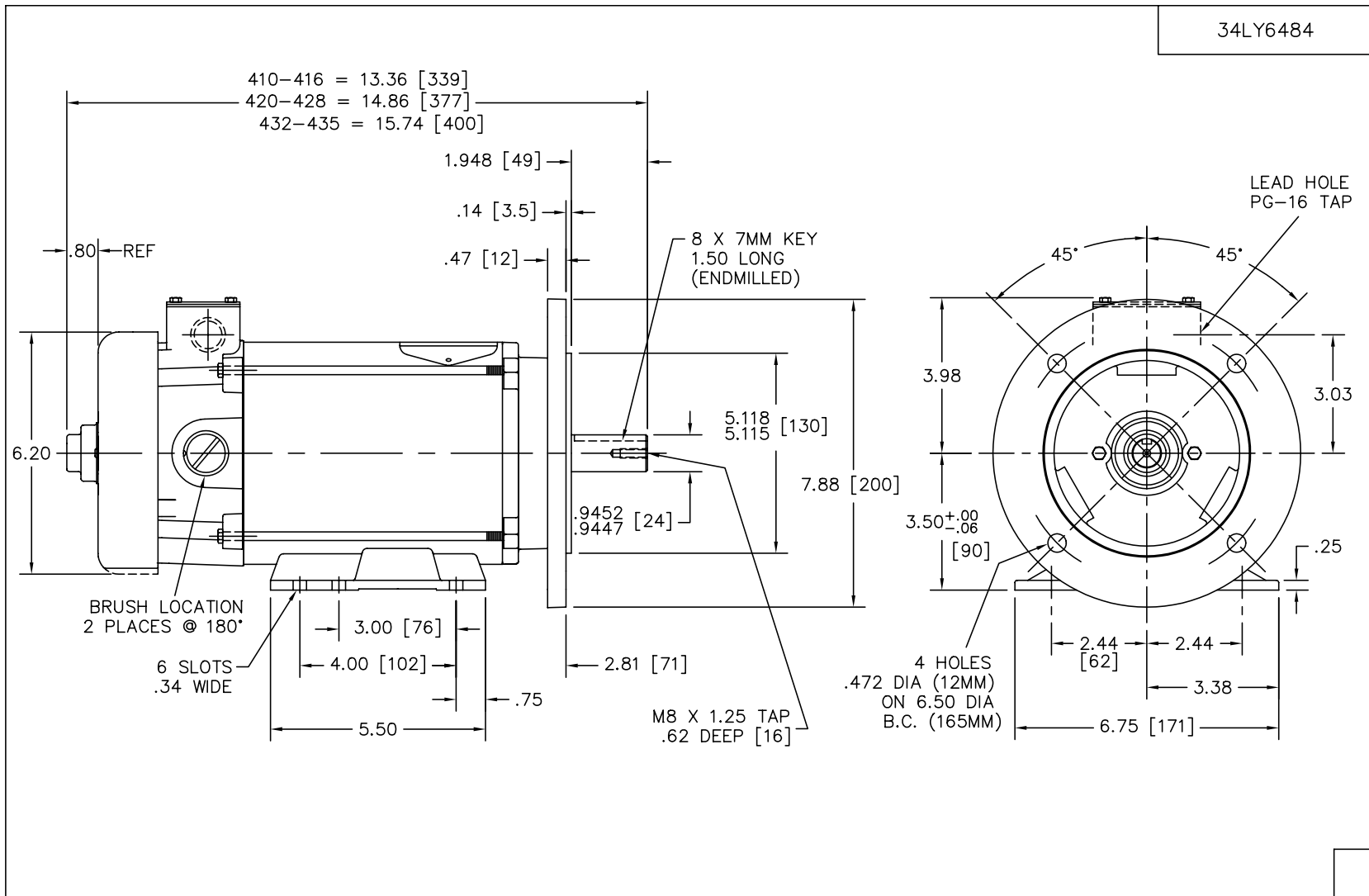
| Parts List    |  |          |
|---------------|--|----------|
| Part Number   | Description                              | Quantity |
| SA053024      | SA 34-6484Z178                           | 1.000 EA |
| AA005946      | AA 34-6484Z178                           | 1.000 EA |
| BP5000AW14SP  | CARBON BRUSH - 33P, 180 VOLTS            | 1.000 EA |
| HA3210B66     | .125 DIA X .281 (AUTO)                   | 2.000 EA |
| 11XW1032G06   | 10-32 X .38, TAPTITE II, HEX WSHR SLTD U | 1.000 EA |
| HW3001B02     | BRASS CUP WASHER W/GROUND SYMBOL TAB,    | 1.000 EA |
| 34EP3103B14   | FR ENDPLATE MACH 34PM TEFC F-2 MTG W/PG- | 1.000 EA |
| WD4100A17     | PLUG STIMPSON D4036                      | 1.000 EA |
| HW5100A03     | WAVY WASHER (W1543-017)                  | 1.000 EA |
| 34EP2505A01   | FLG MTG EP IEC F165 ENCL 205 BRG MACH.   | 1.000 EA |
| HW4600H11     | SEAL 0.938 X 1.624 X 0.250 SINGLE LIP DB | 1.000 EA |
| 51XN1032A24   | 10-32 X 1 1/2 HX WS SL SR                | 2.000 EA |
| BP5201A11SP   | BRUSH HOLDER ASSY W/BP4511A01 & BP3000A0 | 1.000 EA |
| 80XN1032A03   | 10-32 X 3/16 SET SCREW                   | 2.000 EA |
| 34FN3002A01SP | EXTERNAL FAN, PLASTIC, .637/.639 HUB W/  | 1.000 EA |
| 34FH5002A01SP | FAN COVER ASSY W/SHAFT COVER             | 1.000 EA |
| 51XW1032A06   | 10-32 X .38, TAPTITE II, HEX WSHR SLTD S | 3.000 EA |
| WD4102A01     | SR-6L-1 HEYCO STRN RELIEF OR 23MPO6L10 M | 1.000 EA |
| 34CB4504SP    | CONDUIT BOX LID, STAMPED                 | 1.000 EA |
| 34GS1011SP    | GASKET, CONDUIT BOX LID                  | 1.000 EA |
| 51XW0832A07   | 8-32 X .44, TAPTITE II, HEX WSHR SLTD SE | 2.000 EA |
| HW2505A14     | KEY, 8 X 7 MM 1.50 INCHES                | 1.000 EA |
| HA7000A12     | KEY RETAINER 0.945-1.00 DIA SHAFTS       | 1.000 EA |
| MG1000G27     | MED CHARCOAL METALLIC GREY 400-0096      | 0.014 GA |

| <b>Parts List (continued)</b> |  |                 |
|-------------------------------|--|-----------------|
| <b>Part Number</b>            | <b>Description</b>                       | <b>Quantity</b> |
| MJ5004A05                     | #242-21 LOCTITE GENERAL PURPOSE MED. STR | 0.001 EA        |
| 85XU0407S04                   | 4X1/4 U DRIVE PIN STAINLESS              | 2.000 EA        |
| ML14A1B14                     | 14 AWG,A1,BLACK                          | 8.500 IN        |
| ML14A2B14                     | 14 AWG,A2,BLACK                          | 8.500 IN        |
| HA3100A37                     | THRUBOLT 10-32 X 8.500                   | 4.000 EA        |
| LB1119N                       | WARNING LABEL                            | 1.000 EA        |
| LC0194                        | CONNECTION LABEL                         | 1.000 EA        |
| MN416A01                      | TAG-INSTAL-MAINT no wire (2200bx) 4/22   | 1.000 EA        |
| NP1049L                       | NP STD LASER ENGRAVED IEC DC MOTORS, UL  | 1.000 EA        |
| 27PA1006                      | PKG GRP, PRINT PK1027A06                 | 1.000 EA        |
| LB1617                        | UKCA COMPLIANCE STICKER                  | 1.000 EA        |

| <b>Accessories</b> |                                 |                   |
|--------------------|---------------------------------|-------------------|
| <b>Part Number</b> | <b>Description</b>              | <b>Multiplier</b> |
| TK3400             | TACHO MOUNTING KIT FOR TK3400   | A8                |
| TK3400-HPU         | HPU10 MOUNTING KIT 34P/35P TEFC | A8                |

No performance data has been  
assigned to this product.

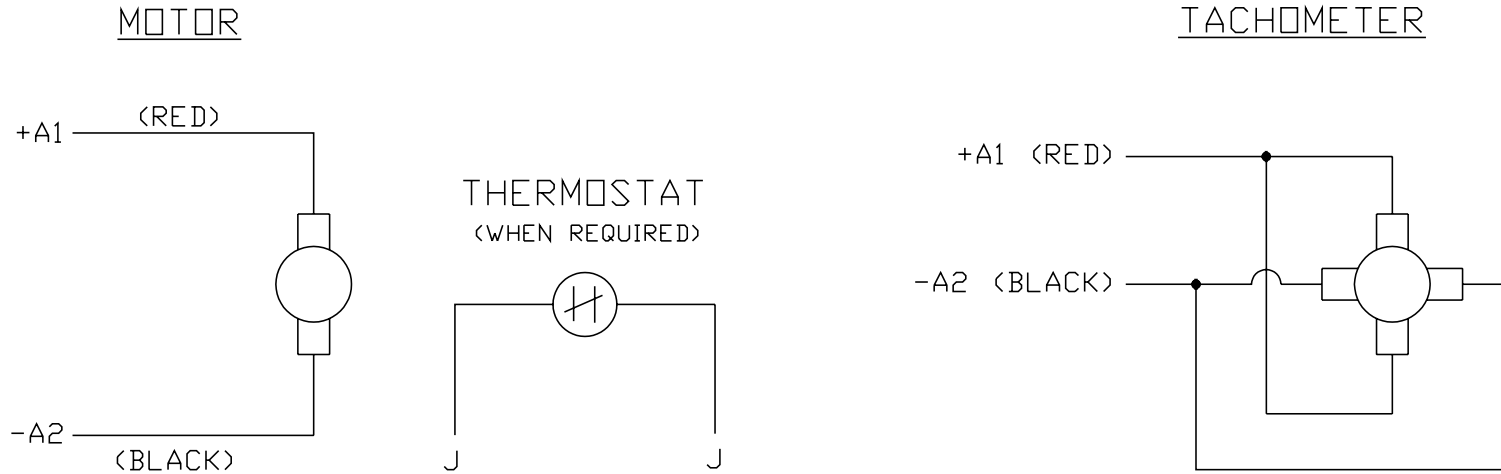




|                |  |            |  |                         |  |  |  |                            |  |      |  |
|----------------|--|------------|--|-------------------------|--|--|--|----------------------------|--|------|--|
| CUST. NAME     |  | CUST. P.O. |  | CERTIFIED BY            |  | MODEL  |  | INSUL                      |  | AMB  |  |
| H.P.           |  | MTG        |  | TYPE                    |  | R.P.M.   |  | VOLTS                      |  | ENCL |  |
| PHASE          |  | FREQ       |  | FRAME                   |  |  |  |                            |  |      |  |
| REV. DESC: NEW |  |            |  |                         |  |  |  |                            |  |      |  |
| REV. LTR: -    |  | BY: DM     |  | REVISED: 09/23/99 10:30 |  | TDR: 0140725   |  | <b>BALDOR ELECTRIC Co.</b> |  |      |  |
| 34LY6484       |  |            |  | FILE: AAA00067431       |  | MDL: -   |  |                            |  |      |  |
| MTL:           |  |            |  | REF: 34-5960            |  | STD HOR 34PM TEFC IEC D90D-B35 F2 W/NEMA BASE & MTG/M.F.T.K. |  |                            |  |      |  |

34LY6484

CD0194



NOTES:

1. CCW ROTATION AS SHOWN FACING COMMUTATOR END. TO REVERSE MOTOR ROTATION OR TACHOMETER OUTPUT POLARITY INTERCHANGE LEADS A1(RED) & A2(BLACK)
2. LEAD COLORS FOR REFERENCE ONLY & NOT SPECIFIED BY THIS DRAWING. LEAD COLORS SPECIFIED BY LAYOUT DRAWING & BILL OF MATERIAL ONLY.

|         |  |        |                   |
|---------|--|--------|-------------------|
| MATL: - |  |        |                   |
| REV: E  | ADDED NOTE "LEAD COLORS FOR REFERENCE ONLY &..." |        |                   |
| 761000  | SCALE: -   | BY: CK | REVISED: 07/28/95 |
|         | FILE: AAA00004503                                |        | TDR: 0078737      |

**BALDOR ELECTRIC Co.**

CD TYPE P DC PERMANENT MAGNET MOTORS AND TACHOMETERS

CD0194