

**BALDOR® • RELIANCE** 

**Product Information Packet**

**VP3455D**

**.75/1HP,1750RPM,DC,D80D,3435P,TEFC,F2**

Part Detail							
Revision:	K	Status:	PRD/A	Change #:		Proprietary:	No
Type:	DC	Prod. Type:	3435P	Elec. Spec:	34WG3865	CD Diagram:	CD0194
Enclosure:	TEFC	Mfg Plant:		Mech. Spec:	34-6483	Layout:	34LY6483
Frame:	D80D	Mounting:	B35	Poles:	00	Created Date:	
Base:	RG	Rotation:	R	Insulation:	F	Eff. Date:	09-28-2022
Field Type:		Literature:		Elec. Diagram:		Replaced By:	

Specs			
Enclosure:	TEFC		
Frame:	D80D		
Frame Material:	Steel		
XP Class and Group:	None		
Agency Approvals:	CE		
	CSA		
	UR		
	WEEE		
Base Indicator:	Rigid		
Bearing Grease Type:	Polyrex EM (-20F +300F)		
Drip Cover:	No Drip Cover		
Duty Rating:	CONT		
Feedback Device:	NO FEEDBACK		
Frame Prefix:	D		
Heater Indicator:	No Heater		
Insulation Class:	F		

<b>Lifting Lugs:</b>	No Lifting Lugs		
<b>Motor Lead Quantity/Wire Size:</b>	2 @ 14 AWG		
<b>Motor Lead Exit:</b>	Ko Box		
<b>Motor Lead Termination:</b>	Flying Leads		
<b>Mounting Arrangement:</b>	B35		
<b>Product Family:</b>	BISSIC		
<b>Pulley End Bearing Type:</b>	Sealed Bearing		
<b>Shaft Extension Location:</b>	Pulley End		
<b>Shaft Ground Indicator:</b>	No Shaft Grounding		
<b>Shaft Rotation:</b>	Reversible		
<b>Shaft Slinger Indicator:</b>	No Slinger		
<b>Motor Standards:</b>	IEC		
<b>XP Division:</b>	Not Applicable		

Nameplate NP1049L			
CAT.NO.	VP3455D		
SPEC.	34-6483-3865		
KW/HP	.75/1 IC411	I.P.	54 TE 21KG
RPM	1750 1/MIN IEC60034-1;-5		
IEC FRAME	D80D	TYPE	3435P
ARM V	180	ARM A	5
FLD V		FLD A	
INSUL	F	AMB.	40
DUTY	CONT	SUPPLY	1.5
BRG/DE	6206	BRG/ODE	6203
BRUSHES	2/BP5000AW14		
SER.		BLANK	
BLANK			
APRV-CE	<input type="checkbox"/>	APRV-CSA	<input type="checkbox"/>
		APRV-UL	<input type="checkbox"/>

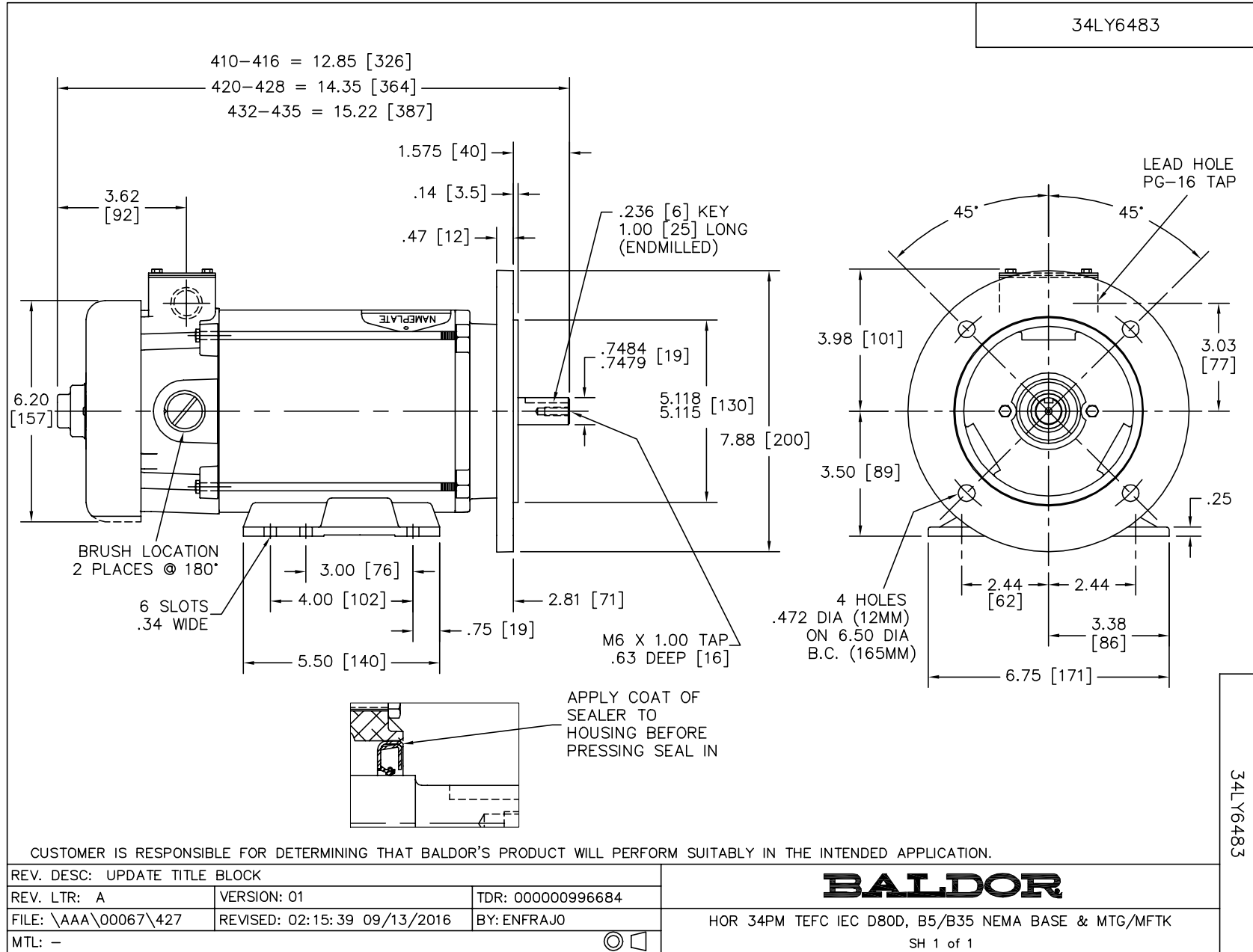
Parts List		
Part Number	Description	Quantity
SA053021	SA 34-6483-3865	1.000 EA
AA005943	AA 34-6483-3865	1.000 EA
BP5000AW14SP	CARBON BRUSH - 33P, 180 VOLTS	1.000 EA
HA3210B66	.125 DIA X .281 (AUTO)	2.000 EA
11XW1032G06	10-32 X .38, TAPTITE II, HEX WSHR SLTD U	1.000 EA
34EP3103B14	FR ENDPLATE MACH 34PM TEFC F-2 MTG W/PG-	1.000 EA
WD4100A17	PLUG STIMPSON D4036	1.000 EA
HW5100A03	WAVY WASHER (W1543-017)	1.000 EA
34EP2505A01	FLG MTG EP IEC F165 ENCL 205 BRG MACH.	1.000 EA
HW4600H11	SEAL 0.938 X 1.624 X 0.250 SINGLE LIP DB	1.000 EA
51XN1032A24	10-32 X 1 1/2 HX WS SL SR	2.000 EA
BP5201A11SP	BRUSH HOLDER ASSY W/BP4511A01 & BP3000A0	1.000 EA
80XN1032A03	10-32 X 3/16 SET SCREW	2.000 EA
34FN3002A01SP	EXTERNAL FAN, PLASTIC, .637/.639 HUB W/	1.000 EA
34FH5002A01SP	FAN COVER ASSY W/SHAFT COVER	1.000 EA
51XW1032A06	10-32 X .38, TAPTITE II, HEX WSHR SLTD S	3.000 EA
34CB4504SP	CONDUIT BOX LID, STAMPED	1.000 EA
34GS1011SP	GASKET, CONDUIT BOX LID	1.000 EA
51XW0832A07	8-32 X .44, TAPTITE II, HEX WSHR SLTD SE	2.000 EA
HW3001B02	BRASS CUP WASHER W/GROUND SYMBOL TAB,	1.000 EA
WD4102A01	SR-6L-1 HEYCO STRN RELIEF OR 23MPO6L10 M	1.000 EA
HW2504E10	KEY, 6 MM X 1.000	1.000 EA
HA7000A11	KEY RETAINER 0.750 DIA SHAFTS	1.000 EA
MG1000G27	MED CHARCOAL METALLIC GREY 400-0096	0.014 GA

<b>Parts List (continued)</b>		
<b>Part Number</b>	<b>Description</b>	<b>Quantity</b>
MJ5004A05	#242-21 LOCTITE GENERAL PURPOSE MED. STR	0.001 EA
MJ5001A27	32220KN GRAY SEALER *MIN BUY 4 QTS=1GAL	0.001 QT
85XU0407S04	4X1/4 U DRIVE PIN STAINLESS	2.000 EA
ML14A1B14	14 AWG,A1,BLACK	8.500 IN
ML14A2B14	14 AWG,A2,BLACK	8.500 IN
HA3100A37	THRUBOLT 10-32 X 8.500	4.000 EA
LB1119N	WARNING LABEL	1.000 EA
MN416A01	TAG-INSTAL-MAINT no wire (2200bx) 4/22	1.000 EA
LC0194	CONNECTION LABEL	1.000 EA
NP1049L	NP STD LASER ENGRAVED IEC DC MOTORS, UL	1.000 EA
27PA1006	PKG GRP, PRINT PK1027A06	1.000 EA
LB1617	UKCA COMPLIANCE STICKER	1.000 EA

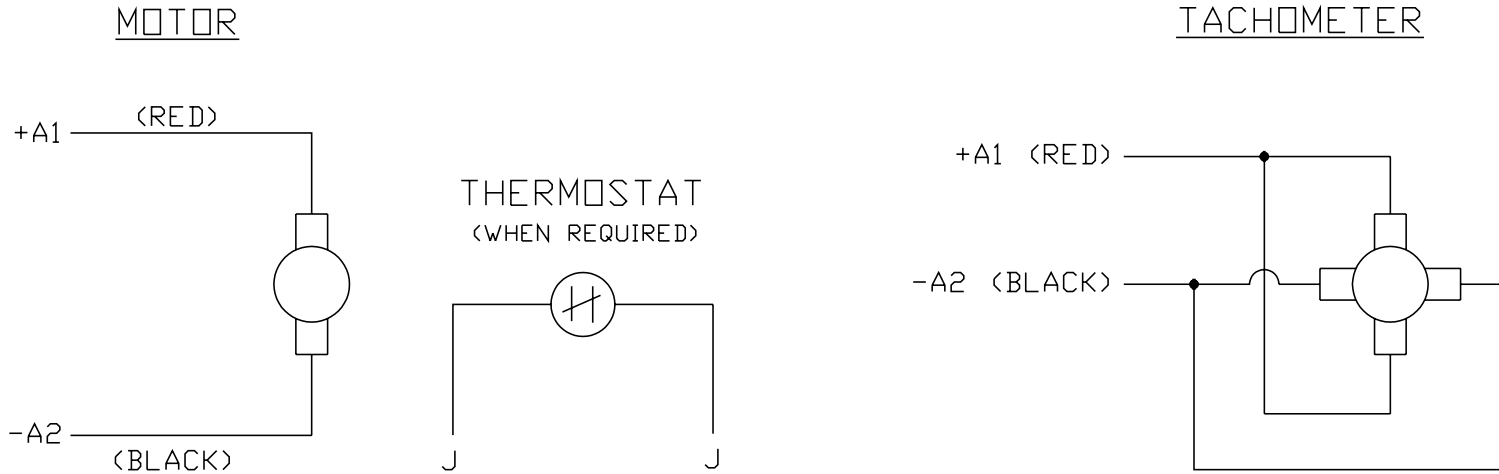
<b>Accessories</b>		
<b>Part Number</b>	<b>Description</b>	<b>Multiplier</b>
TK3400	TACHO MOUNTING KIT FOR TK3400	A8
TK3400-HPU	HPU10 MOUNTING KIT 34P/35P TEFC	A8

No performance data has been  
assigned to this product.





CD0194



NOTES:

1. CCW ROTATION AS SHOWN FACING COMMUTATOR END. TO REVERSE MOTOR ROTATION OR TACHOMETER OUTPUT POLARITY INTERCHANGE LEADS A1(RED) & A2(BLACK)
2. LEAD COLORS FOR REFERENCE ONLY & NOT SPECIFIED BY THIS DRAWING. LEAD COLORS SPECIFIED BY LAYOUT DRAWING & BILL OF MATERIAL ONLY.

MATL: -			
REV: E	ADDED NOTE "LEAD COLORS FOR REFERENCE ONLY &..."		
761000	SCALE: -	BY: CK	REVISED: 07/28/95
	FILE: AAA00004503		TDR: 0078737

**BALDOR ELECTRIC Co.**

CD TYPE P DC PERMANENT MAGNET MOTORS AND TACHOMETERS

CD0194