

BALDOR® • RELIANCE 

Product Information Packet

L3504-50

.5HP, 1425RPM, 1PH, 50HZ, 56, 3428L, TEFC, F1

| Part Detail | | | | | | | |
|-------------|--------|-------------|------------|-------------|--------|---------------|----|
| Revision: | AL | Status: | PRD/A | Change #: | | Proprietary: | No |
| Type: | AC | Elec. Spec: | 34WGW233 | CD Diagram: | CD0001 | Mfg Plant: | |
| Mech. Spec: | 34C061 | Layout: | 34LYC061 | Poles: | 04 | Created Date: | |
| Base: | RG | Eff. Date: | 07-07-2021 | Leads: | 6#18 | | |

| Specs | | | |
|---------------------------------|--------------------------|--------------------------------|-------------------|
| Catalog Number: | L3504-50 | Heater Indicator: | No Heater |
| Enclosure: | TEFC | Insulation Class: | B |
| Frame: | 56 | Inverter Code: | Not Inverter |
| Frame Material: | Steel | KVA Code: | J |
| Motor Letter Type: | Cap Start, Induction Run | Lifting Lugs: | No Lifting Lugs |
| Output @ Frequency: | .500 HP @ 50 HZ | Locked Bearing Indicator: | No Locked Bearing |
| Synchronous Speed @ Frequency: | 1500 RPM @ 50 HZ | Motor Lead Quantity/Wire Size: | 6 @ 18 AWG |
| Voltage @ Frequency: | 110.0 V @ 50 HZ | Motor Lead Exit: | Ko Box |
| | 220.0 V @ 50 HZ | Motor Lead Termination: | Flying Leads |
| XP Class and Group: | None | Motor Type: | 3428L |
| XP Division: | Not Applicable | Mounting Arrangement: | F1 |
| Agency Approvals: | CE | Power Factor: | 76 |
| | CSA | Product Family: | General Purpose |
| | UR | Pulley End Bearing Type: | Ball |
| | WEEE | Pulley Face Code: | Standard |
| Auxillary Box: | No Auxillary Box | Pulley Shaft Indicator: | Standard |
| Auxillary Box Lead Termination: | None | Rodent Screen: | None |
| Base Indicator: | Rigid | RoHS Status: | ROHS COMPLIANT |

| | | | |
|---------------------------------------|---------------------------|------------------------------------|---------------------|
| Bearing Grease Type: | Polyrex EM (-20F +300F) | Shaft Extension Location: | Pulley End |
| Blower: | None | Shaft Ground Indicator: | No Shaft Grounding |
| Current @ Voltage: | 7.200 A @ 110.0 V | Shaft Rotation: | Reversible |
| | 3.600 A @ 220.0 V | Shaft Slinger Indicator: | No Slinger |
| Design Code: | N | Speed Code: | Single Speed |
| Drip Cover: | No Drip Cover | Motor Standards: | NEMA |
| Duty Rating: | CONT | Starting Method: | Direct on line |
| Electrically Isolated Bearing: | Not Electrically Isolated | Thermal Device - Bearing: | None |
| Feedback Device: | NO FEEDBACK | Thermal Device - Winding: | None |
| Front Face Code: | Standard | Vibration Sensor Indicator: | No Vibration Sensor |
| Front Shaft Indicator: | None | Winding Thermal 1: | None |
| | | Winding Thermal 2: | None |

| Nameplate NP1372L | | | | | | | | | | |
|-------------------|----------------------------|--|--|--|--|----------------|------|--|-----|---|
| CAT.NO. | L3504-50 | | | | | | | | | |
| SPEC. | 34C61W233 | | | | | | | | | |
| HP | .5 /KW .37 IEC60034-30 | | | | | | | | | |
| VOLTS | 110/220 | | | | | | | | | |
| AMP | 7.2/3.6 | | | | | | | | | |
| RPM | 1425 1/MIN IP54 IC411 KG15 | | | | | | | | | |
| FRAME | 56 | | | | | HZ | 50 | | PH | 1 |
| SER.F. | 1.25 | | | | | CODE | J | | DES | N |
| NEMA-NOM-EFF | 62 | | | | | PF | 76 | | CL | B |
| RATING | 40C AMB-CONT | | | | | | | | | |
| CC | | | | | | USABLE AT 208V | | | | |
| DE | 6203 | | | | | ODE | 6203 | | | |
| ENCL | TEFC | | | | | SN | | | | |
| | SFA 8.4/4.2 | | | | | | | | | |

| Parts List | | |
|---------------|------------------------------------------|----------|
| Part Number | Description | Quantity |
| SA008608 | SA 34C61W233 | 1.000 EA |
| RA005055 | RA 34C61W233 | 1.000 EA |
| NS2512A01 | INSULATOR, CONDUIT BOX X | 1.000 EA |
| 34CB3002A | CB CAST W/.88 DIA HOLE | 1.000 EA |
| 34GS1029A01 | GASKET, CONDUIT BOX | 1.000 EA |
| 51XB1016A07 | 10-16 X 7/16 HXWSSLD SERTYB | 2.000 EA |
| 11XW1032G06 | 10-32 X .38, TAPTITE II, HEX WSHR SLTD U | 1.000 EA |
| 51XW0832A07 | 8-32 X .44, TAPTITE II, HEX WSHR SLTD SE | 2.000 EA |
| 34EP3102A01SP | FR ENDPLATE, MACH | 1.000 EA |
| WD1000A03 | 41531 AMP FLG.TERM,4M/REEL(2.5MIL) | 1.000 EA |
| 34CB4800SP | CAPACITOR COVER, STAMPED PRIMED | 1.000 EA |
| 34GS3000SP | GASKET, CAPACITOR BOX | 1.000 EA |
| 51XB1016A05 | 10-16X5/16HX WA SL SR TYB (F/S) | 2.000 EA |
| HW5100A03 | WAVY WASHER (W1543-017) | 1.000 EA |
| 34EP3102A02SP | FR/PU ENDPLATE, MACH | 1.000 EA |
| XY1032A02 | 10-32 HEX NUT DIRECTIONAL SERRATION | 4.000 EA |
| 34FN3002A01SP | EXTERNAL FAN, PLASTIC, .637/.639 HUB W/ | 1.000 EA |
| 34FH4002A01SP | IEC FH NO GREASER PRIMED | 1.000 EA |
| 51XW1032A06 | 10-32 X .38, TAPTITE II, HEX WSHR SLTD S | 3.000 EA |
| 34CB4517 | CB LID 4 MTG HOLES .22 DIA STAMPED, FOR | 1.000 EA |
| 34GS1031A01 | GASKET, FLAT CONDUIT BOX LID (LEXIDE) | 1.000 EA |
| 51XW0832A07 | 8-32 X .44, TAPTITE II, HEX WSHR SLTD SE | 4.000 EA |
| HW2501D13 | KEY, 3/16 SQ X 1.375 | 1.000 EA |
| HA7000A04 | KEY RETAINER 0.625 DIA SHAFTS | 1.000 EA |

| Parts List (continued) | | |
|-------------------------------|------------------------------------------|-----------------|
| Part Number | Description | Quantity |
| MG1000G27 | MED CHARCOAL METALLIC GREY 400-0096 | 0.014 GA |
| 85XU0407S04 | 4X1/4 U DRIVE PIN STAINLESS | 2.000 EA |
| SP5051B16 | MDL 34 TORQ STAT SW,TYPE L , STD F1 & F2 | 1.000 EA |
| EC1270A02SP | ELEC CAP, 270-324 MFD, 125V, 1.48D X 3. | 1.000 EA |
| HA3100A45 | THRUBOLT 10-32 X 8.875 | 4.000 EA |
| HA4067A01 | PUSH IN DRAIN FITTING (BLACK) | 2.000 EA |
| MN416A01 | TAG-INSTAL-MAINT no wire (2200bx) 4/22 | 1.000 EA |
| LC0001 | CONN LABEL TYPE L, 6 LEAD, DUAL VOLTS, R | 1.000 EA |
| LB1119N | WARNING LABEL | 1.000 EA |
| NP1372L | ALUM UL CSA CE CC | 1.000 EA |
| 35PA1066 | PKG GRP, PRINT PK1008A06 | 1.000 EA |
| LB1617 | UKCA COMPLIANCE STICKER | 1.000 EA |

| Accessories | | |
|--------------------|--------------------|-------------------|
| Part Number | Description | Multiplier |
| 34-171 | C FACE KIT | A8 |

AC Induction Motor Performance Data

Record # 6926

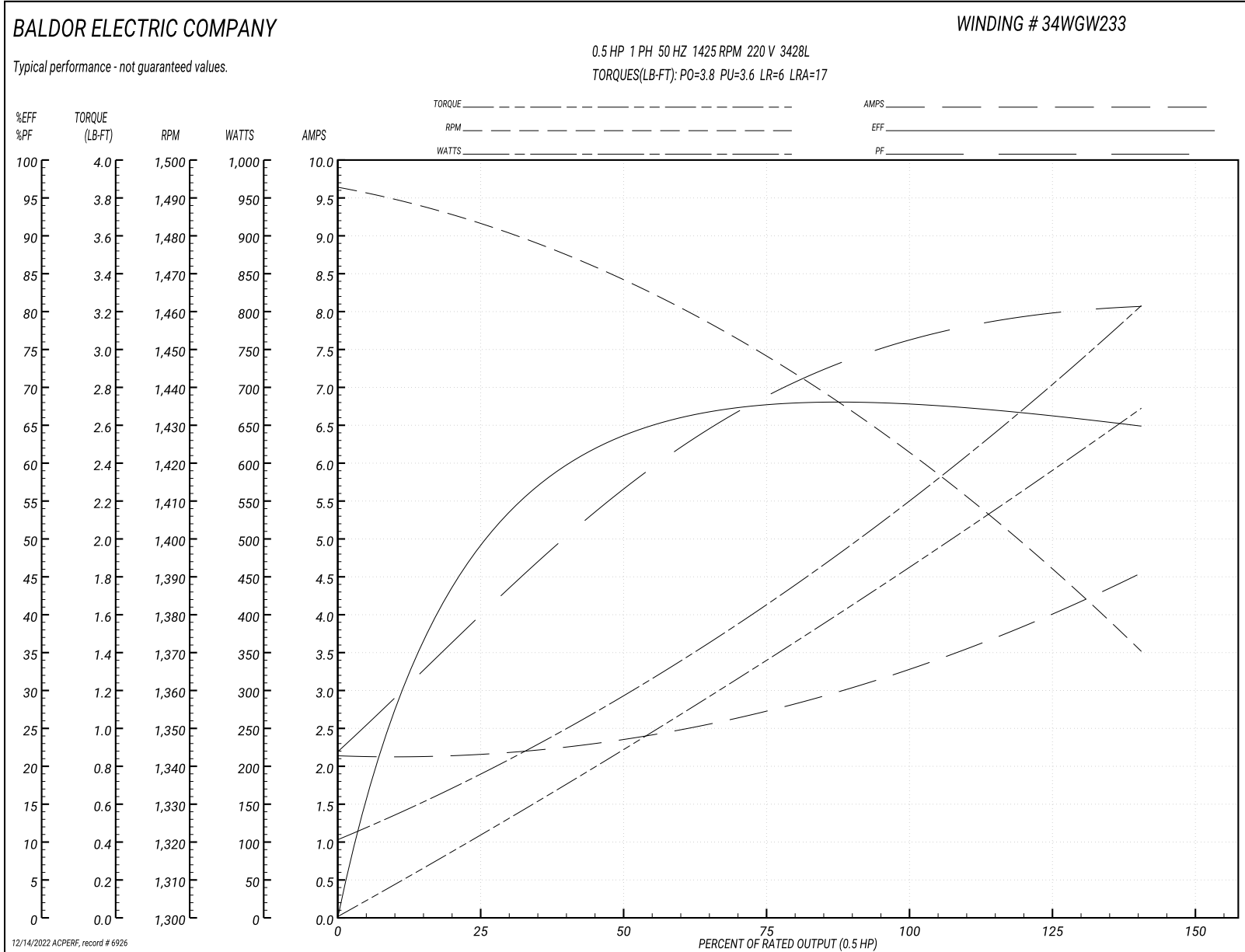
Typical performance - not guaranteed values

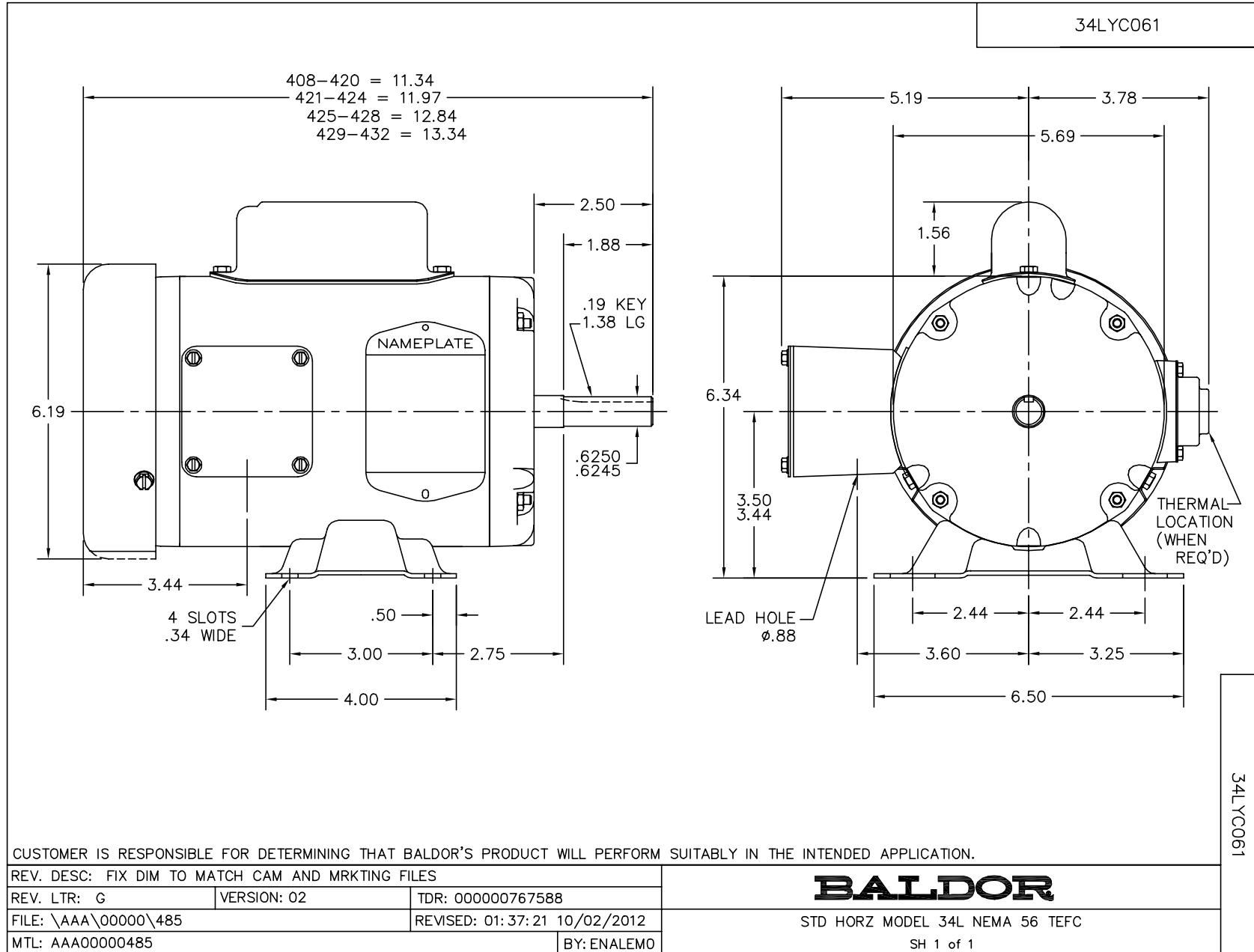
| Winding: 34WG233-R001 | | Type: 3428L | Enclosure: TEFC |
|-----------------------|-----------------|--------------------------------------------------|-------------------------|
| Nameplate Data | | 220 V, 50 Hz: High Voltage Connection | |
| Rated Output (HP) | .5 | Full Load Torque | 1.8 LB-FT |
| Volts | 110/220 | Start Configuration | direct on line |
| Full Load Amps | 7.2/3.6 | Breakdown Torque | 3.8 LB-FT |
| R.P.M. | 1425 | Pull-up Torque | 3.6 LB-FT |
| Hz | 50 Phase | Locked-rotor Torque | 6 LB-FT |
| NEMA Design Code | N KVA Code | Starting Current | 17 A |
| Service Factor (S.F.) | 1.25 | No-load Current | 2.1 A |
| NEMA Nom. Eff. | 62 Power Factor | Line-line Res. @ 25°C | 5 Ω A Ph 4.03 Ω B Ph |
| Rating - Duty | 40C AMB-CONT | Temp. Rise @ Rated Load | 68°C |
| S.F. Amps | 8.4/4.2 | Temp. Rise @ S.F. Load | 84°C |

Load Characteristics 220 V, 50 Hz, 0.5 HP

| % of Rated Load | 25 | 50 | 75 | 100 | 125 | 150 | S.F. |
|-----------------|------|------|------|------|------|------|------|
| Power Factor | 41 | 57 | 69 | 77 | 82 | 85 | 82 |
| Efficiency | 48 | 62.2 | 67.5 | 68.8 | 67.6 | 64.2 | 67.6 |
| Speed | 1481 | 1466 | 1448 | 1428 | 1402 | 1367 | 1402 |
| Line amperes | 2.2 | 2.4 | 2.7 | 3.2 | 3.8 | 4.6 | 3.8 |

Performance Graph at 220V, 50Hz, 0.5HP Typical performance - Not guaranteed values





CD0001



| | | | |
|-------------------------------------------|---------|------------------------|--------------|
| REV. DESC: REVISE TO SHOW OPTIONAL COLORS | | | |
| REV. LTR: D | BY: JLP | REVISED: 04/08/99 1:16 | TDR: 0178636 |
| 100000 | | FILE: AAA00007405 | MDL: - |
| | | MTL: - | |

BALDOR ELECTRIC Co.

TYPE L, DV, REV, 6 LEADS

CD0001