

BALDOR® • RELIANCE 

Product Information Packet

L3501-50

.33HP, 1425RPM, 1PH, 50HZ, 56, 3418L, TEFC, F1

| Part Detail | | | | | | | |
|-------------|--------|-------------|------------|-------------|--------|---------------|----|
| Revision: | AJ | Status: | PRD/A | Change #: | | Proprietary: | No |
| Type: | AC | Elec. Spec: | 34WGW120 | CD Diagram: | CD0001 | Mfg Plant: | |
| Mech. Spec: | 34C061 | Layout: | 34LYC061 | Poles: | 04 | Created Date: | |
| Base: | RG | Eff. Date: | 11-11-2020 | Leads: | 6#18 | | |

| Specs | | | |
|---------------------------------|--------------------------|--------------------------------|-------------------|
| Catalog Number: | L3501-50 | Heater Indicator: | No Heater |
| Enclosure: | TEFC | Insulation Class: | F |
| Frame: | 56 | Inverter Code: | Not Inverter |
| Frame Material: | Steel | KVA Code: | L |
| Motor Letter Type: | Cap Start, Induction Run | Lifting Lugs: | No Lifting Lugs |
| Output @ Frequency: | .330 HP @ 50 HZ | Locked Bearing Indicator: | No Locked Bearing |
| Synchronous Speed @ Frequency: | 1500 RPM @ 50 HZ | Motor Lead Quantity/Wire Size: | 6 @ 18 AWG |
| Voltage @ Frequency: | 110.0 V @ 50 HZ | Motor Lead Exit: | Ko Box |
| | 220.0 V @ 50 HZ | Motor Lead Termination: | Flying Leads |
| XP Class and Group: | None | Motor Type: | 3418L |
| XP Division: | Not Applicable | Mounting Arrangement: | F1 |
| Agency Approvals: | CE | Power Factor: | 60 |
| | CSA | Product Family: | General Purpose |
| | UR | Pulley End Bearing Type: | Ball |
| | WEEE | Pulley Face Code: | Standard |
| Auxillary Box: | No Auxillary Box | Pulley Shaft Indicator: | Standard |
| Auxillary Box Lead Termination: | None | Rodent Screen: | None |
| Base Indicator: | Rigid | RoHS Status: | ROHS COMPLIANT |

| | | | |
|---------------------------------------|---------------------------|------------------------------------|---------------------|
| Bearing Grease Type: | Polyrex EM (-20F +300F) | Shaft Extension Location: | Pulley End |
| Blower: | None | Shaft Ground Indicator: | No Shaft Grounding |
| Current @ Voltage: | 6.400 A @ 110.0 V | Shaft Rotation: | Reversible |
| | 3.200 A @ 220.0 V | Shaft Slinger Indicator: | No Slinger |
| Design Code: | N | Speed Code: | Single Speed |
| Drip Cover: | No Drip Cover | Motor Standards: | NEMA |
| Duty Rating: | CONT | Starting Method: | Direct on line |
| Electrically Isolated Bearing: | Not Electrically Isolated | Thermal Device - Bearing: | None |
| Feedback Device: | NO FEEDBACK | Thermal Device - Winding: | None |
| Front Face Code: | Standard | Vibration Sensor Indicator: | No Vibration Sensor |
| Front Shaft Indicator: | None | Winding Thermal 1: | None |
| | | Winding Thermal 2: | None |

| Nameplate NP1372L | | | | | | | | | | |
|-------------------|----------------------|--|--|--|--|------|------|--|----------------|---|
| CAT.NO. | L3501-50 | | | | | | | | | |
| SPEC. | 34C61W120 | | | | | | | | | |
| HP | .33 /KW .25 | | | | | | | | | |
| VOLTS | 110/220 | | | | | | | | | |
| AMP | 6.4/3.2 | | | | | | | | | |
| RPM | 1425 1/MIN IP54 KG11 | | | | | | | | | |
| FRAME | 56 | | | | | HZ | 50 | | PH | 1 |
| SER.F. | 1.35 | | | | | CODE | L | | DES | N |
| NEMA-NOM-EFF | 59 | | | | | PF | 60 | | CL | F |
| RATING | 40C AMB-CONT | | | | | | | | | |
| CC | | | | | | | | | USABLE AT 208V | |
| DE | 6203 | | | | | ODE | 6203 | | | |
| ENCL | TEFC | | | | | SN | | | | |
| | SFA 7.2/3.6 IC411 | | | | | | | | | |

| Parts List | | |
|---------------|--|----------|
| Part Number | Description | Quantity |
| SA008606 | SA 34C61W120 | 1.000 EA |
| RA005053 | RA 34C61W120 | 1.000 EA |
| NS2512A01 | INSULATOR, CONDUIT BOX X | 1.000 EA |
| 34CB3002A | CB CAST W/.88 DIA HOLE | 1.000 EA |
| 34GS1029A01 | GASKET, CONDUIT BOX | 1.000 EA |
| 51XB1016A07 | 10-16 X 7/16 HXWSSLD SERTYB | 2.000 EA |
| 11XW1032G06 | 10-32 X .38, TAPTITE II, HEX WSHR SLTD U | 1.000 EA |
| 51XW0832A07 | 8-32 X .44, TAPTITE II, HEX WSHR SLTD SE | 2.000 EA |
| 34EP3102A01SP | FR ENDPLATE, MACH | 1.000 EA |
| WD1000A03 | 41531 AMP FLG.TERM,4M/REEL(2.5MIL) | 1.000 EA |
| 34CB4800SP | CAPACITOR COVER, STAMPED PRIMED | 1.000 EA |
| 34GS3000SP | GASKET, CAPACITOR BOX | 1.000 EA |
| 51XB1016A05 | 10-16X5/16HX WA SL SR TYB (F/S) | 2.000 EA |
| HW5100A03 | WAVY WASHER (W1543-017) | 1.000 EA |
| 34EP3102A02SP | FR/PU ENDPLATE, MACH | 1.000 EA |
| XY1032A02 | 10-32 HEX NUT DIRECTIONAL SERRATION | 4.000 EA |
| 34FN3002A01SP | EXTERNAL FAN, PLASTIC, .637/.639 HUB W/ | 1.000 EA |
| 34FH4002A01SP | IEC FH NO GREASER PRIMED | 1.000 EA |
| 51XW1032A06 | 10-32 X .38, TAPTITE II, HEX WSHR SLTD S | 3.000 EA |
| 34CB4517 | CB LID 4 MTG HOLES .22 DIA STAMPED, FOR | 1.000 EA |
| 34GS1031A01 | GASKET, FLAT CONDUIT BOX LID (LEXIDE) | 1.000 EA |
| 51XW0832A07 | 8-32 X .44, TAPTITE II, HEX WSHR SLTD SE | 4.000 EA |
| HW2501D13 | KEY, 3/16 SQ X 1.375 | 1.000 EA |
| HA7000A04 | KEY RETAINER 0.625 DIA SHAFTS | 1.000 EA |

| Parts List (continued) | | |
|-------------------------------|--|-----------------|
| Part Number | Description | Quantity |
| MG1000G27 | MED CHARCOAL METALLIC GREY 400-0096 | 0.014 GA |
| 85XU0407S04 | 4X1/4 U DRIVE PIN STAINLESS | 2.000 EA |
| SP5051B16 | MDL 34 TORQ STAT SW,TYPE L , STD F1 & F2 | 1.000 EA |
| EC1189A02SP | 61B2D120189NNBA ELEC CAP, 189-227MFD, 12 | 1.000 EA |
| HA3100A12 | THRUBOLT 10-32 X 7.375 | 4.000 EA |
| HA4067A01 | PUSH IN DRAIN FITTING (BLACK) | 2.000 EA |
| MN416A01 | TAG-INSTAL-MAINT no wire (2200bx) 4/22 | 1.000 EA |
| LB1119N | WARNING LABEL | 1.000 EA |
| LC0001 | CONN LABEL TYPE L, 6 LEAD, DUAL VOLTS, R | 1.000 EA |
| NP1372L | ALUM UL CSA CE CC | 1.000 EA |
| 35PA1066 | PKG GRP, PRINT PK1001A01 | 1.000 EA |
| LB1617 | UKCA COMPLIANCE STICKER | 1.000 EA |

| Accessories | | |
|--------------------|--------------------|-------------------|
| Part Number | Description | Multiplier |
| 34-171 | C FACE KIT | A8 |

AC Induction Motor Performance Data

Record # 6887

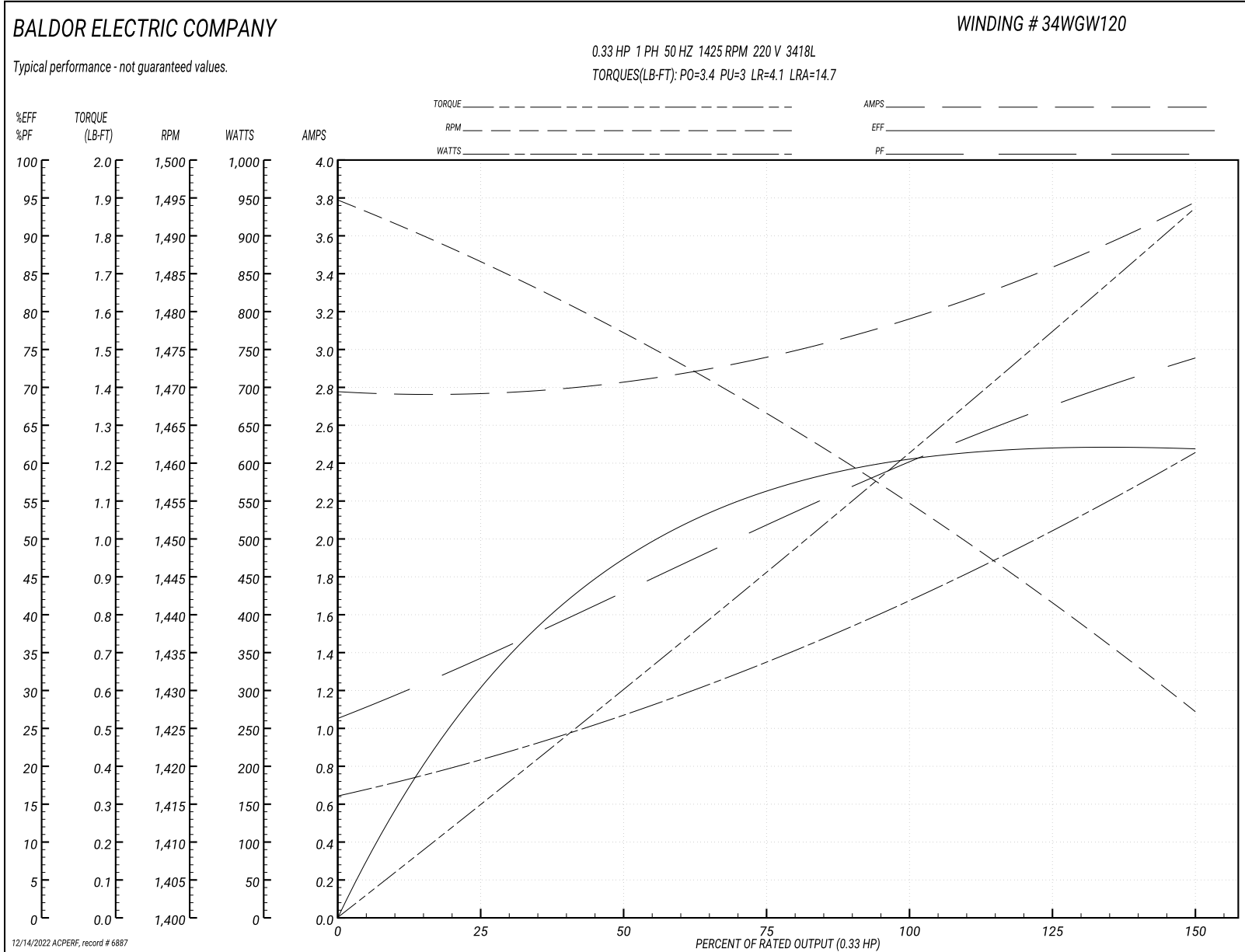
Typical performance - not guaranteed values

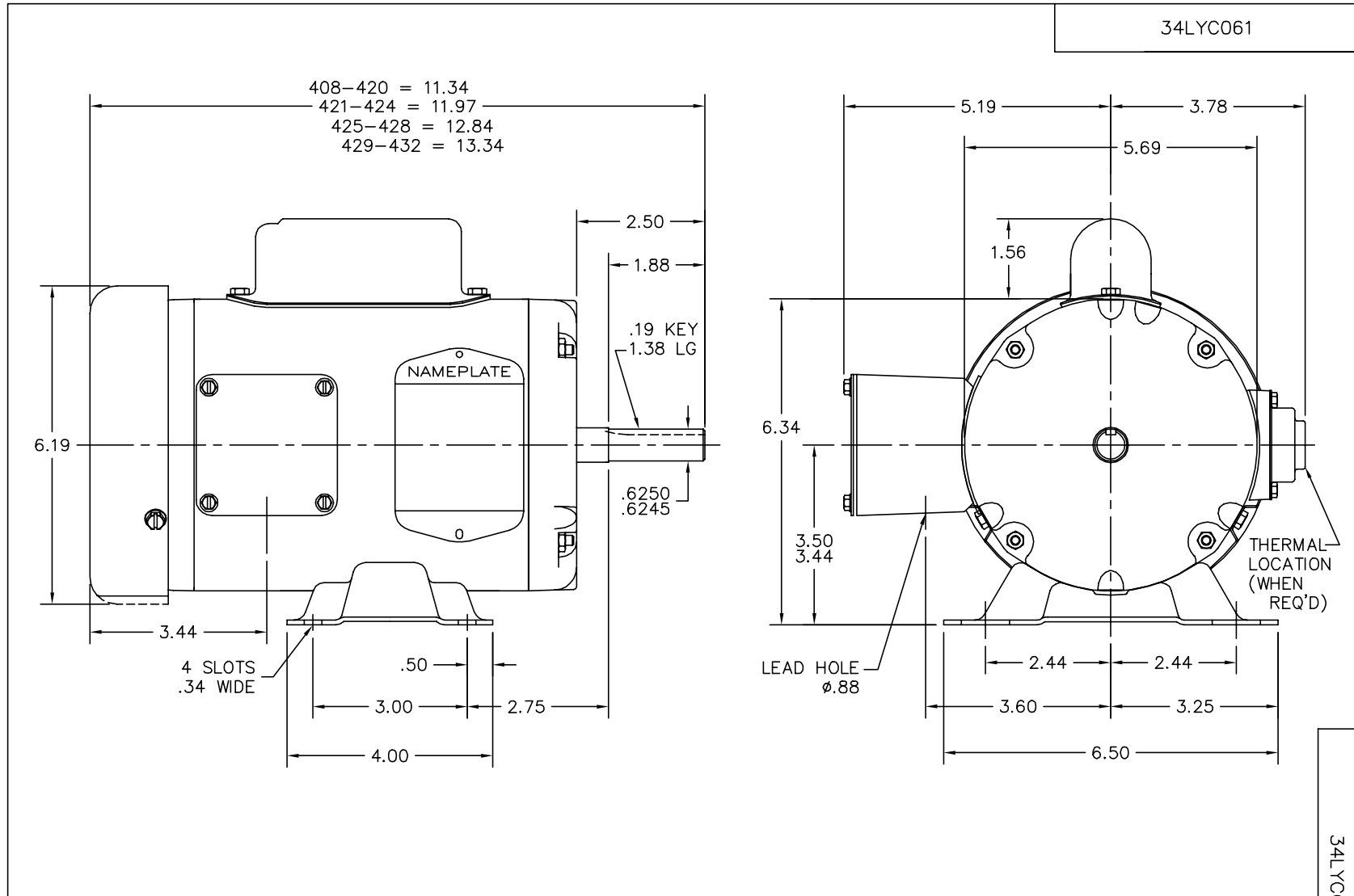
| Winding: 34WGW120-R001 | | Type: 3418L | | Enclosure: TEFC | |
|-------------------------------|------------------------|--------------------|--|------------------------|--|
| Nameplate Data | | | 220 V, 50 Hz: High Voltage Connection | | |
| Rated Output (HP) | .33 | | Full Load Torque | 1.25 LB-FT | |
| Volts | 110/220 | | Start Configuration | direct on line | |
| Full Load Amps | 6.4/3.2 | | Breakdown Torque | 3.4 LB-FT | |
| R.P.M. | 1425 | | Pull-up Torque | 3 LB-FT | |
| Hz | 50 Phase | 1 | Locked-rotor Torque | 4.1 LB-FT | |
| NEMA Design Code | N KVA Code | L | Starting Current | 14.7 A | |
| Service Factor (S.F.) | 1.35 | | No-load Current | 2.77 A | |
| NEMA Nom. Eff. | 59 Power Factor | 60 | Line-line Res. @ 25°C | 6.14 Ω | |
| Rating - Duty | 40C AMB-CONT | | Temp. Rise @ Rated Load | 63°C | |
| S.F. Amps | 7.2/3.6 | | Temp. Rise @ S.F. Load | 85°C | |

Load Characteristics 220 V, 50 Hz, 0.33 HP

| % of Rated Load | 25 | 50 | 75 | 100 | 125 | 150 | S.F. |
|------------------------|-----------|-----------|-----------|------------|------------|------------|-------------|
| Power Factor | 37 | 47 | 55 | 61 | 68 | 75 | 72 |
| Efficiency | 30 | 45.9 | 58.3 | 62.3 | 61.7 | 61.5 | 61.6 |
| Speed | 1486 | 1476 | 1466 | 1454 | 1441 | 1427 | 1436 |
| Line amperes | 2.79 | 2.8 | 3 | 3.2 | 3.4 | 3.8 | 3.6 |

Performance Graph at 220V, 50Hz, 0.33HP Typical performance - Not guaranteed values





CUSTOMER IS RESPONSIBLE FOR DETERMINING THAT BALDOR'S PRODUCT WILL PERFORM SUITABLY IN THE INTENDED APPLICATION.

| | | |
|---|--------------------------------|-------------------|
| REV. DESC: FIX DIM TO MATCH CAM AND MRKTING FILES | | |
| REV. LTR: G | VERSION: 02 | TDR: 000000767588 |
| FILE: \AAA\00000\485 | REVISED: 01: 37: 21 10/02/2012 | |
| MTL: AAA00000485 | BY: ENALEMO | |

BALDOR

STD HORZ MODEL 34L NEMA 56 TEFC

SH 1 of 1

34LYC061

CD0001



NOTES:

1. STANDARD ROTATION IS CCW FACING END OPPOSITE SHAFT EXTENSION.
2. OPTIONAL THERMOSTAT IS PROVIDED WHEN SPECIFIED.
3. MULTIPLE CAPACITORS ARE CONNECTED IN PARALLEL UNLESS OTHERWISE SPECIFIED.
4. LEAD COLORS ARE OPTIONAL. LEADS MUST ALWAYS BE NUMBERED AS SHOWN.

| | | | |
|---|---------|------------------------|--------------|
| REV. DESC: REVISE TO SHOW OPTIONAL COLORS | | | |
| REV. LTR: D | BY: JLP | REVISED: 04/08/99 1:16 | TDR: 0178636 |
| 100000 | | FILE: AAA00007405 | MDL: - |
| | | MTL: - | |

BALDOR ELECTRIC Co.

TYPE L, DV, REV, 6 LEADS

CD0001