

BALDOR® • RELIANCE®

Customer information packet

EM4308T

40HP, 1200RPM, 60HZ, 364T, TEFC
ELECTRIC MOTOR WHOLESALE.COM

Specifications

BASIC CONFIGURATION

Product Family	General Purpose, 3Ph, Enclosed
HP Rating	40
Frequency (HZ)	60
Voltage	230/460
Division	None
Temp Code	None
Enclosure	TEFC
CT Turn Down	4:1
VT Turn Down	20:1
Inverter	Yes
Efficiency	Premium Eff. (NEMA 12-12)
Duty	Cont
Design Letter	B
Frame Material	Cast Iron

ELECTRICAL

Tropicalized Protection	No
Starting Method	Standard Start
Motor Space Heater	No

BEARINGS

Bearing Type DE	Ball
Bearing Type ODE	Ball
Grease Fittings Rqd	Yes

PACKAGING

Pallet Type	Standard
Packaging Type	Standard Packing

MECHANICAL

Part detail

Revision	-
Type	AC
Mech. spec.	
Base	
Status	PRD/A
Elec. spec.	A36WG1194-DES
Layout	A36C-0000000017
Eff. date	06-23-2020
CD Diagram	416820-002
Poles	06
Leads	3#4,6#6
Proprietary	False
Created date	06-23-2020

Balance	Standard (0.15 in/sec)
Fan Material	Standard
Fan Housing Material	Steel
Ingress Protection	IP54
Drip Cover Required	No
Paint System	Standard (C2)
Paint Color	Gold
Shaft Grounding	None
Frame Grounding Required	Yes
Auto Drain Type	"T" Drain – Plastic

CONDUIT BOX

Main Conduit Box Location	Standard (side)
Main Conduit Box Material	Steel
Main Conduit Box Size	Standard Oversize
Lead Entry Location	Toward Feet - Down
Terminal Blocks - Main Leads	No
Auxiliary Conduit Box 1 Loc	None
Auxiliary Conduit Box 2 Loc	None

MONITORING DEVICES

Winding Thermistor	No
Winding Thermostat	No

MOUNTING

Mounting Flange - DE	None
Mounting Flange - ODE	None
Mounting Position	F-1
Frame Mounting	Foot
Foot Planarity	None
Drive Method	Coupled
Vertical Lifting Required	No
Shaft Extension	T

NAMEPLATE / LABELS

Auxiliary Nameplate Required	No
Nameplate Data Type	Etched
Label CSA	Yes
Label CE	N/A
Label UR	Yes

Nameplate

NP3979LUA

CAT #	EM4308T		SER			CC	010A						
SPEC	A36C-0000000017		RATING	40C AMB-CONT									
HZ	VOLTS		AMPS		RPM	HP	CODE	SF	DES	PF	NEMA NOM. EFF		
60	230/460		98.8/49.4		1190	40	G	1.15	B	80	%	94.1 %	
											%	%	
PH	3	CL	F	MAX CORR KVAR	12.00	USABLE AT 208V		109	A				
BRG	DE	6313	ODE	6313	ENCL	TEFC	FR	364T			IP54		
GREASE	POLYREX EM						MTR WT	847			LBS		
USABLE AT	50HZ 30HP 190/380V 98/49A												
INVERTER DUTY	CT	15-60	HZ	4:1	VT	3-60	HZ	20:1	CHP	60-90	HZ	1.5:1	1.0 SF VPWM
MAX RPM	1800												

Parts list

Part number	Description	Quantity
A36WS1194F00	A36WG1194 WOUND STATOR CLASS F	1.000 ea
033050001C	IBOLT - 360	1.000 ea
085918051A	FRME 360 085918020WCB KB	1.000 ea
403783000AE	PIN 3/8"X2"L	1.000 ea
004824018L	RTV 732 CLEAR 10.1 OZTUBE	0.002 lb
A36WG0043-ROTOR	ROTOR CONFIG	1.000 ea
034180012DA	KEY 1X4X1/4X1-1/2 L	1.000 ea
034180034HA	KEY 5/8X5/8X4-1/4 L	1.000 ea
A36SH1000A00	365T TEFC 6313-6313 CLI SHAFT	1.000 ea
603298012A	CAP,LOCKING,313 BRG - 603298011WCA	1.000 ea
603298012B	CAP,NON-LOCKING,313 BRG 603298011WCA	1.000 ea
416821003FP	6313 C3 - - STL ABEC1 S SLUSH	1.000 ea
416821003FP	6313 C3 - - STL ABEC1 S SLUSH	1.000 ea
085922073B	BRKT 360 085922072WCC KB	1.000 ea
034600001AA	BUSH 1/4TO1/8 BLACK	1.000 ea
418150003A	GREASE FITTING CAP	1.000 ea
035000001A	ALFTG 1/8" 1610-BL	1.000 ea
035000001G	GREASE RELIEF FITTING, ALEMITE 317400	1.000 ea
HA4054	SHORT T-DRAIN FITTING, .125" N.P.T.	1.000 ea
415045002E	SLGR	1.000 ea
032018012DK	HHCS 1/2-13X1-1/2 PLTD. 032018012DR	4.000 ea
032018024CK	HHCS 3/8-16X3 PLTD.	3.000 ea
032018012DK	HHCS 1/2-13X1-1/2 PLTD. 032018012DR	4.000 ea
034600001AA	BUSH 1/4TO1/8 BLACK	1.000 ea
035000001G	GREASE RELIEF FITTING, ALEMITE 317400	1.000 ea
085922073B	BRKT 360 085922072WCC KB	1.000 ea
415045002E	SLGR	1.000 ea
418150003A	GREASE FITTING CAP	1.000 ea
034530052AB	P/NIP 1/8X6-1/2 GALV.	1.000 ea
HA4054	SHORT T-DRAIN FITTING, .125" N.P.T.	1.000 ea
415096002A	CPLG 1/8 HEX TYPE	1.000 ea

035000001A	ALFTG 1/8" 1610-BL	1.000 ea
032018024CK	HHCS 3/8-16X3 PLTD.	3.000 ea
032018008AK	HHCS 1/4-20X1 PLATED	4.000 ea
078559034A	+F/C A 078559001A - 360	1.000 ea
406099000A	PLUG - FAN COVER 320-440	1.000 ea
415072001B	CLAMP	1.000 ea
702676001C	FAN 360	1.000 ea
033512004LB	HHTTS 1/4-20X1/2 PLTD.	1.000 ea
415000103D	T/LUG #4AWG-1/0AWG W/HOLE FOR .250 BOLT	1.000 ea
077176000L	C/BOX, PAINTED 440	1.000 ea
077176001A	CBOXC, PAINTED 360-400	1.000 ea
043292000AJ	GASK 320-400	1.000 ea
402731001A	GASK 360-440	1.000 ea
032018008CK	HHCS 3/8-16X1L PLATED	4.000 ea
032018005AK	HHCS 1/4-20X5/8 PLATED	4.000 ea
MG1025Y17	WILKOFAS, 789.701, SUPER E PEARL GOLD	0.250 ga
004824003CBY	WILKO PAINT 060.02 - ACTIVATOR	0.063 ga
482403003BEF	RUST VETO 342	0.002 ga
LC0181	CONNECTION LABEL	1.000 ea
000692000FP	NP, WARNING LIFT INSTRUCTIONS	1.000 ea
033775004EA	DRSCR #6-1/4 304 S.S.	4.000 ea
000692000VD	LABEL WARNING	1.000 ea
MN416	TAG-INSTAL-MAINT w/wire. (1200/bx) 3/19	1.000 ea
14PA1000	PACKAGING 314 GROUP COMBINED PRINT	1.000 ea
032509020C	CARRIAGE BOLT - 360	3.000 ea
HW1000A32	5/16 FL WASHER WIDE, ID=.344, OD=1.125	3.000 ea
NP3979LUA	SS SUPER-E UR CSA-C-US-EEV NEMA PREM CC	1.000 ea
410700004F	WSHR	1.000 ea
004824015A	GREASE POLYREX EM	0.544 lb

AC Induction Motor Performance Data

Record # 75477

Typical performance - not guaranteed values

Winding: A36WG1194-R001		Type: A3662M	Enclosure: TEFC	
Nameplate Data			460 V, 60 Hz: High Voltage Connection	
Rated Output (HP)	40	Full Load Torque	176.6 LB-FT	
Volts	230/460	Start Configuration	direct on line	
Full Load Amps	98.8/49.4	Breakdown Torque	516 LB-FT	
R.P.M.	1190	Pull-up Torque	237 LB-FT	
Hz	60 Phase	3	Locked-rotor Torque	301 LB-FT
NEMA Design Code	B KVA Code	G	Starting Current	325 A
Service Factor (S.F.)	1.15	No-load Current	20 A	
NEMA Nom. Eff.	94.1 Power Factor	80	Line-line Res. @ 25°C	0.15036 Ω
Rating - Duty	40C AMB-CONT	Temp. Rise @ Rated Load	38°C	
S.F. Amps		Temp. Rise @ S.F. Load	45°C	

Load Characteristics 460 V, 60 Hz, 40 HP

% of Rated Load	25	50	75	100	125	150	S.F.
Power Factor	46	67	76	81	82	83	82
Efficiency	88.2	92.6	93.6	93.8	93.5	92.9	93.6
Speed	1197	1194	1191.3	1188	1184.6	1180.9	1186
Line amperes	23.3	30.6	39.5	49.6	60.7	73	56.3

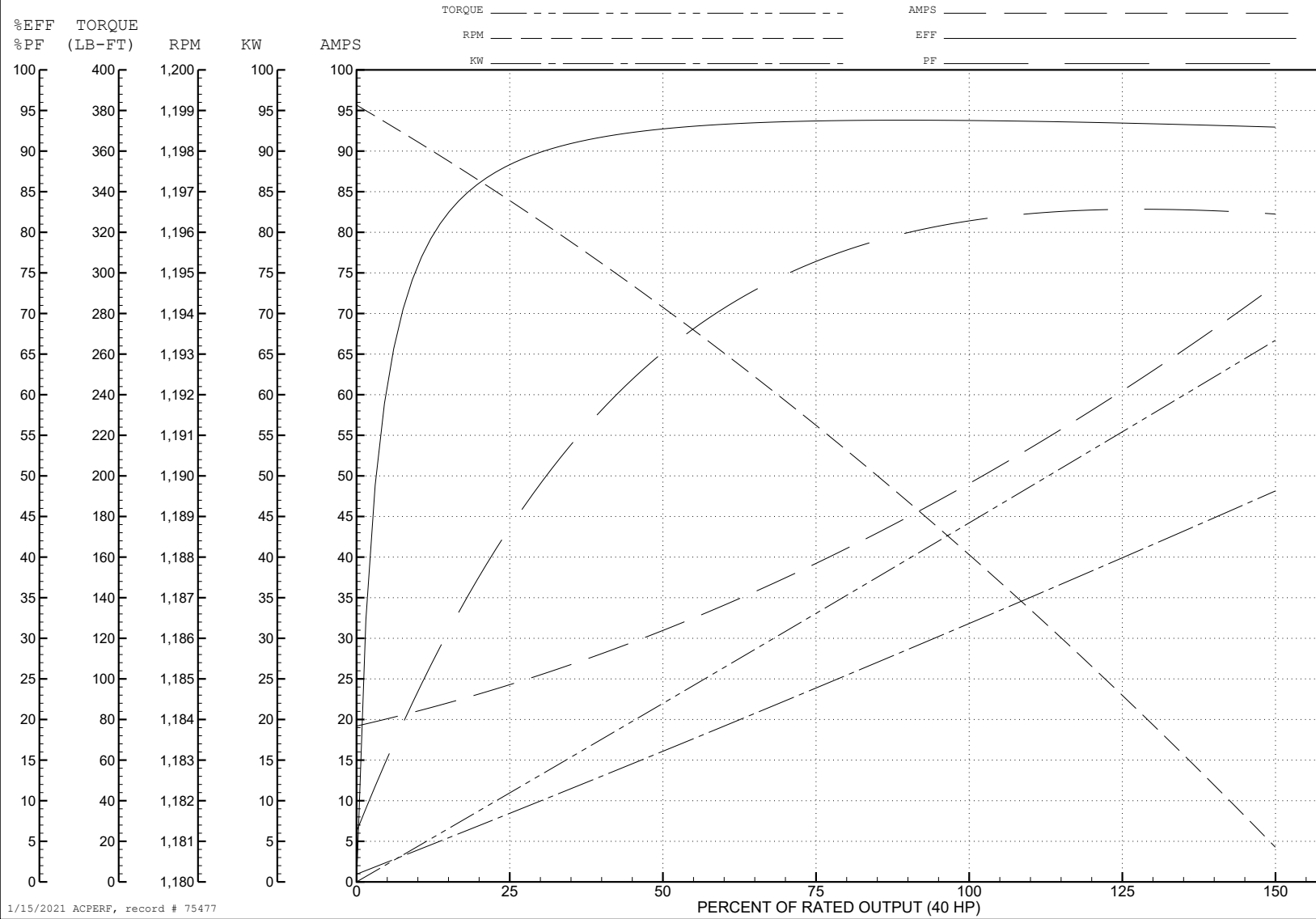
ABB Motors and Mechanical Inc.

WINDING # A36WG1194

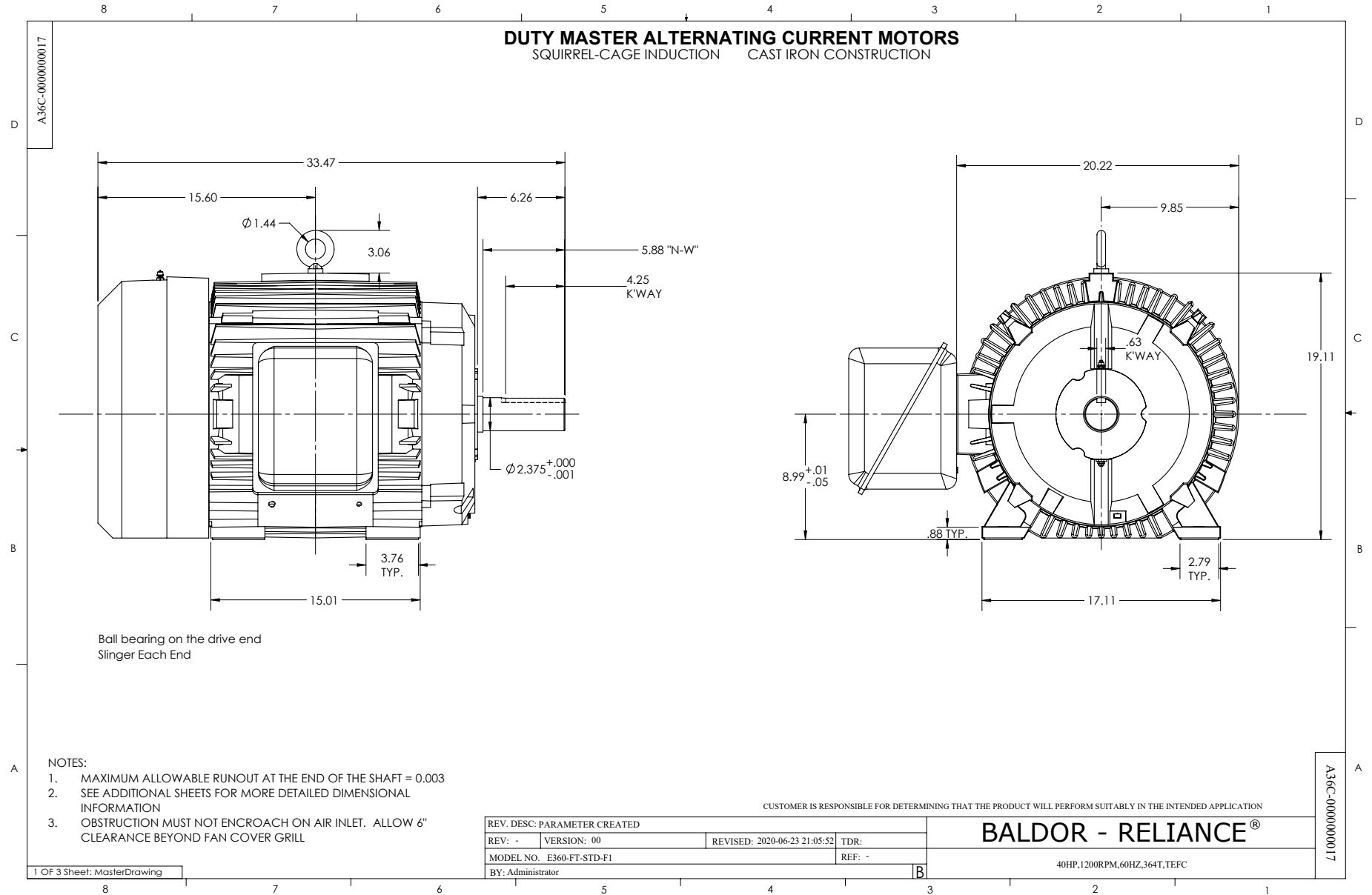
40 HP 3 PH 60 HZ 1190 RPM 460 V A3662M

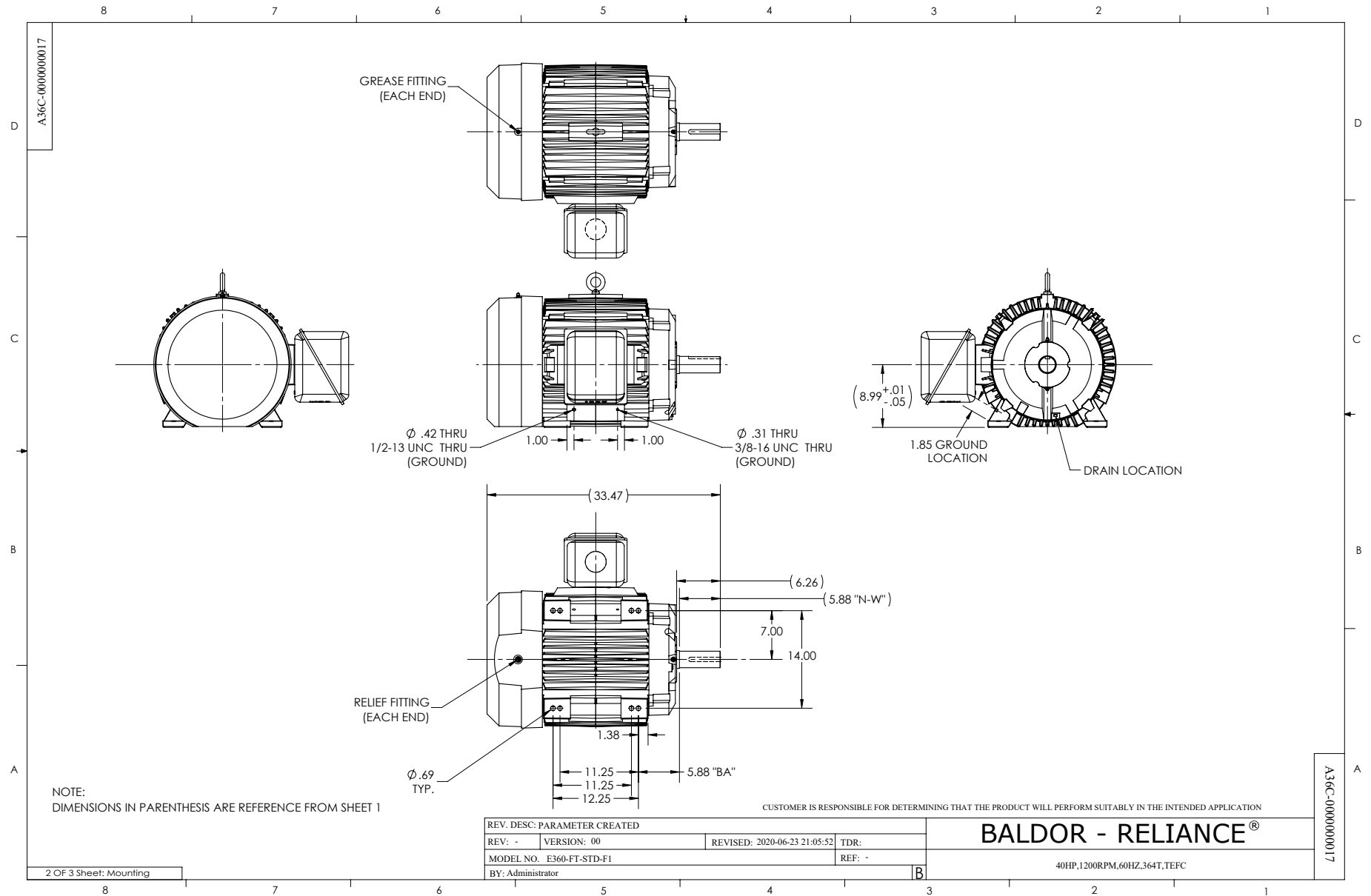
Typical performance - not guaranteed values.

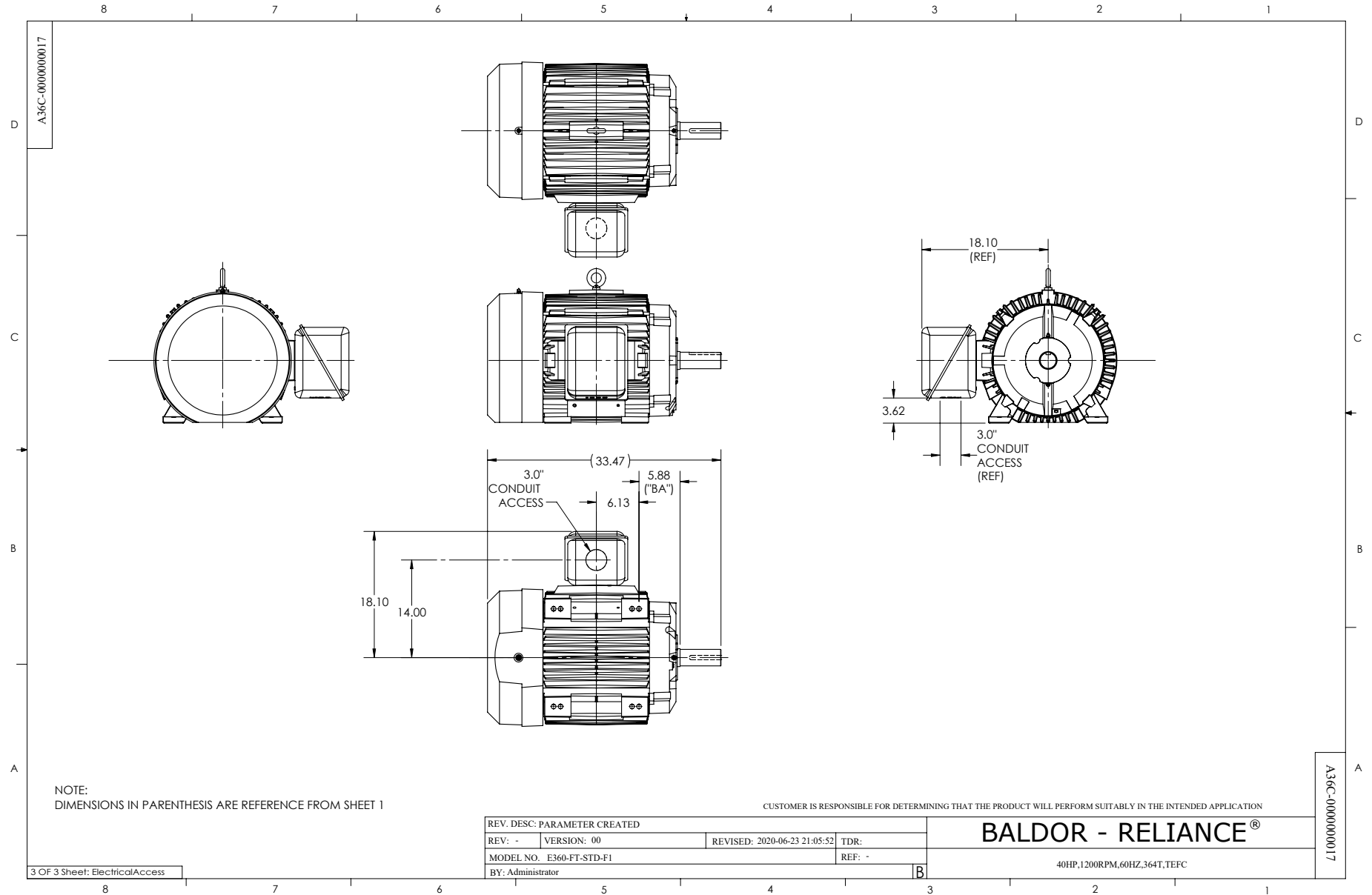
TORQUES (LB-FT): PO=516 PU=237 LR=301 LRA=325



1/15/2021 ACPERF, record # 75477

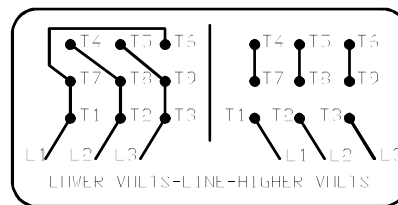
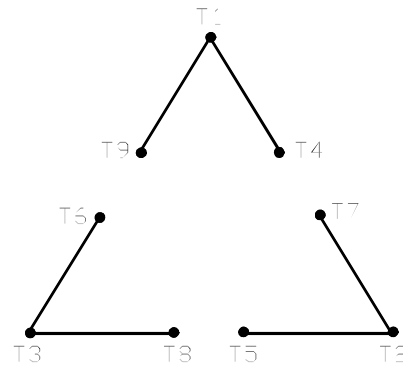






416820-002

A-C MOTOR
 CONNECTION DIAGRAM
 STANDARD 9 LEAD DELTA-CONNECTED



(N.P. 1575-B)

416820-002

REV. DESC: FONT CHANGE FOR PDF SEARCHABLE		
REV. LTR: A	VERSION: 01	TDR: 000001009382
FILE: \MGA\00000\661	REVISED: 02:46:19 02/13/2020	BY: MGHMTT
MTL: -	© □	

BALDOR - RELIANCE®

CONN DIAG - STANDARD 9 LEAD, DELTA-CONNECTED

SH 1 of 1