



Customer information packet

EM4111T

25HP, 1180RPM, 3PH, 60HZ, 324T, 1072M, TEFC, F1

ELECTRIC MOTOR WHOLESALE.COM

Class - None

Division - Not Applicable

Specifications

Enclosure	TEFC
Frame	324T
Frame Material	Iron
Frequency	60.00 Hz
Output @ Frequency	25.000 HP @ 60 HZ
Phase	3
Synchronous Speed @ Frequency	1200 RPM @ 60 HZ
Voltage @ Frequency	460.0 V @ 60 HZ 230.0 V @ 60 HZ
XP Class and Group	None
XP Division	Not Applicable
Agency Approvals	CSA CSA EEV UR
Ambient Temperature	40 °C
Auxillary Box	No Auxillary Box
Auxillary Box Lead Termination	None
Base Indicator	Rigid
Bearing Grease Type	Polyrex EM (-20F +300F)
Blower	None
Current @ Voltage	32.000 A @ 460.0 V 64.000 A @ 230.0 V 70.000 A @ 208.0 V
Design Code	A
Drip Cover	No Drip Cover
Duty Rating	CONT
Efficiency @ 100% Load	93.0 %
Electrically Isolated Bearing	Not Electrically Isolated
Feedback Device	NO FEEDBACK
Front Face Code	Standard
Front Shaft Indicator	None
Heater Indicator	No Heater

Part detail

Revision	S
Type	AC
Mech. spec.	10G860
Base	
Status	PRD/A
Elec. spec.	10WGX979
Layout	10LYG860
Eff. date	09-11-2019
CD Diagram	CD0180
Poles	06
Leads	9#10
Proprietary	False
Created date	06-12-2009

High Voltage Full Load Amps	32.0 a
Insulation Class	F
Inverter Code	Inverter Ready
KVA Code	H
Lifting Lugs	Standard Lifting Lugs
Locked Bearing Indicator	Locked Bearing
Motor Lead Exit	Ko Box
Motor Lead Quantity/Wire Size	9 @ 10 AWG
Motor Lead Termination	Flying Leads
Motor Standards	NEMA
Motor Type	1072M
Mounting Arrangement	F1
Number of Poles	6
Overall Length	30.39 IN
Power Factor	79
Product Family	General Purpose
Pulley End Bearing Type	Ball
Pulley Face Code	Standard
Pulley Shaft Indicator	Standard
Rodent Screen	None
Service Factor	1.15
Shaft Diameter	2.125 IN
Shaft Extension Location	Pulley End
Shaft Ground Indicator	No Shaft Grounding
Shaft Rotation	Reversible
Shaft Slinger Indicator	Shaft Slinger
Speed	1180 rpm
Speed Code	Single Speed
Starting Method	Direct on line
Thermal Device - Bearing	None
Thermal Device - Winding	None
Vibration Sensor Indicator	No Vibration Sensor
Winding Thermal 1	None
Winding Thermal 2	None

Nameplate

NP3443LUA

CAT.NO.	EM4111T	CUST. P/N				ENCL	TEFC
SPEC.	10G860X979	CC	010A	FRAME	324T	SER.NO.	
HP	25	CLASS	F	HZ	60		
R.P.M.	1180	PH.	3	DES.	A		
VOLTS	230/460	CODE	H	ODE BRG	6309	DE BRG	6312
AMPS	64/32	USABLE AT 208V		70			
RATING	40C AMB-CONT	NEMA NOM. EFF.		93	GREASE	POLYREX EM	
P.F.	79	SER.F.	1.15	CT6-60H(10:1)VT3-60H(20:1)			
USABLE AT	50Hz 25HP 190/380V 76/38A			SF1.0			
VOLTS	AMPS	MAX. SPACE HEATER TEMP.					

Parts list

Part number	Description	Quantity
SA182825	SA 10G860X979	1.000 ea
RA170717	RA 10G860X979	1.000 ea
09FN3001A02SP	EXTERNAL FAN, PLASTIC	1.000 ea
10CB3001	CONDUIT BOX CAST W/2.500 LEAD HOLE	1.000 ea
09GS1000SP	GASKET-CONDUIT BOX, 1/16 THICK LEXIDE	1.000 ea
10XN3118K12	5/16-18 X .75 GRADE 5, ZINC PLATED	4.000 ea
HW1001A31	LOCKWASHER 5/16, ZINC PLT.591 OD, .319 I	4.000 ea
WD1000B16	T&B CX70TN OR L70P TERMINAL LUG	1.000 ea
51XF2520A08	SCREW, HEX SER SLT HD, ZN 1/4-20 X .50 L	1.000 ea
10EP1106A01	FR ENDPLATE, MACH	1.000 ea
10XN3816K32	BOLT, 3/8-16X2 HH YZ(5)	4.000 ea
HW1001A38	LOCKWASHER 3/8, ZINC PLT .688 OD, .382 I	4.000 ea
HW5100A11	W3917-042 WVY WSHR (WB)	1.000 ea
10XN2520K32	1/4-20 X 2.00 HX HD SCRW GRADE 5, ZINC P	2.000 ea
HW1001A25	LOCKWASHER 1/4, ZINC PLT .493 OD, .255 I	2.000 ea
10XN3118K44	5/16-18 X 2.75" HEX HD, GRADE 5	4.000 ea
HW1001A31	LOCKWASHER 5/16, ZINC PLT.591 OD, .319 I	4.000 ea
10EP1108A01	PULLEY ENDPLATE - 312 BRG.- ENCL.	1.000 ea
10XN3816K28	3/8-16 X 1.75 HEX HD CAP SCREW, GRADE 5	4.000 ea
HW1001A38	LOCKWASHER 3/8, ZINC PLT .688 OD, .382 I	4.000 ea
10FH4000	310 FAN HOUSING STAMPED	1.000 ea
51XF2520A08	SCREW, HEX SER SLT HD, ZN 1/4-20 X .50 L	4.000 ea
10CB3500SP	CONDUIT BOX LID, CAST	1.000 ea
10GS1000SP	GASKET, CONDUIT BOX LID	1.000 ea
51XW2520A12	.25-20 X .75, TAPTITE II, HEX WSHR SLTD	4.000 ea
HW4600B41	V-RING SLINGER 2.125 X 2.880 X 0.280	1.000 ea
HW2501H33	KEY, 1/2 SQ X 3.875	1.000 ea
LB1115N	LABEL,LIFTING DEVICE (ON ROLLS)	1.000 ea
MN416A01	TAG-INSTAL-MAINT no wire (1200/bx) 3/19	1.000 ea
HW4500A21	1618BALEMITE FITTING 825 UNIVERSAL	1.000 ea
HA4017A01	1/8 X 4 GREASE EXT (F/S)	1.000 ea

HW4500A17	317400 ALEMITE GREASE RELIEF	1.000 ea
HA4054	SHORT T-DRAIN FITTING, .125" N.P.T.	1.000 ea
HA4051A00	PLASTIC CAP FOR GREASE FITTING	1.000 ea
MJ1000A02	GREASE, MOBIL POLYREX EM - 124047	0.130 lb
HW4500A03	GREASE FITTING, .125 NPT 1610(ALEMITE) 8	1.000 ea
HW4500A17	317400 ALEMITE GREASE RELIEF	1.000 ea
HA4054	SHORT T-DRAIN FITTING, .125" N.P.T.	1.000 ea
HA4051A00	PLASTIC CAP FOR GREASE FITTING	1.000 ea
HW2500A25	WOODRUFF KEY USA #1008 #BLOW CARBON STEE	1.000 ea
51XB1214A20	12-14X1.25 HXWSSLD SERTYB	1.000 ea
MG1000Y03	MUNSELL 2.53Y 6.70/ 4.60, GLOSS 20,	0.070 ga
85XU0407S04	4X1/4 U DRIVE PIN STAINLESS	4.000 ea
LB1119N	WARNING LABEL	1.000 ea
LC0181	CONNECTION LABEL	1.000 ea
NP3443LUA	SS SUPER-E UL CSA-EEV PREM CC	1.000 ea
12PA1000	PACKAGING GROUP PRINT PK1024A06	1.000 ea
FE-0000022	ZRTG FE ASSEMBLY	1.000 ea

Accessories

Part number	Description	Multiplier
10-1304	C FACE KIT	A8

AC Induction Motor Performance Data

Record # 21410

Typical performance - not guaranteed values

Winding: 10WGX979-R001		Type: 1072M	Enclosure: TEFC	
Nameplate Data			460 V, 60 Hz: High Voltage Connection	
Rated Output (HP)	25	Full Load Torque	112 LB-FT	
Volts	230/460	Start Configuration	direct on line	
Full Load Amps	64/32	Breakdown Torque	357 LB-FT	
R.P.M.	1180	Pull-up Torque	165 LB-FT	
Hz	60 Phase	Locked-rotor Torque	220 LB-FT	
NEMA Design Code	A KVA Code	Starting Current	220 A	
Service Factor (S.F.)	1.15	No-load Current	14.9 A	
NEMA Nom. Eff.	93 Power Factor	Line-line Res. @ 25°C	0.279 Ω	
Rating - Duty	40C AMB-CONT	Temp. Rise @ Rated Load	50°C	
S.F. Amps		Temp. Rise @ S.F. Load	62°C	
		Locked-rotor Power Factor	30	
		Rotor inertia	8.82 LB-FT ²	

Load Characteristics 460 V, 60 Hz, 25 HP

% of Rated Load	25	50	75	100	125	150	S.F.
Power Factor	42	63	73	79	81	82	80
Efficiency	89	92.6	93.3	93	92.5	91.5	92.7
Speed	1195	1191	1187	1182	1178	1172	1180
Line amperes	16.3	20.1	25.4	32	39.1	46.7	36.3

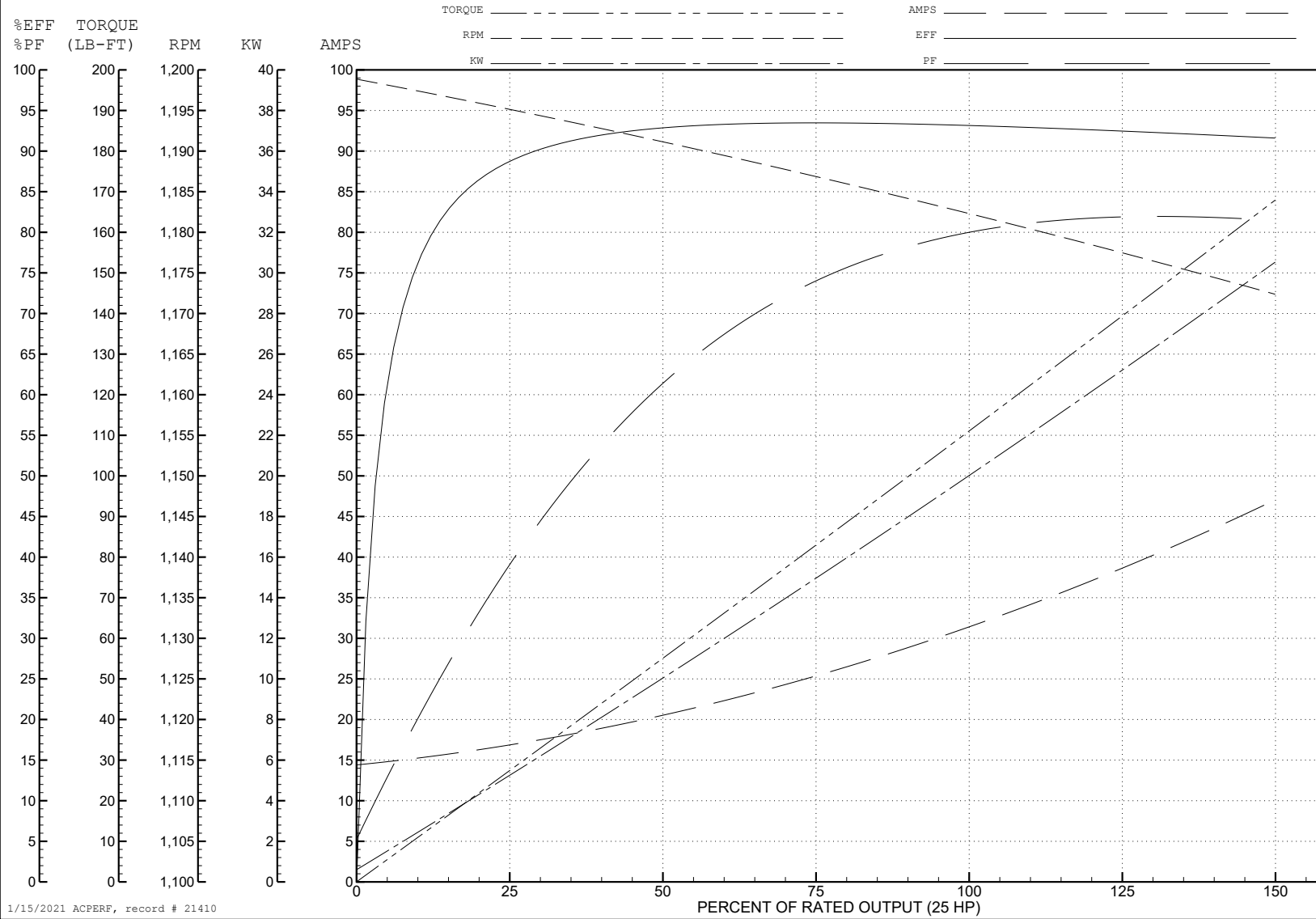
ABB Motors and Mechanical Inc.

WINDING # 10WGX979

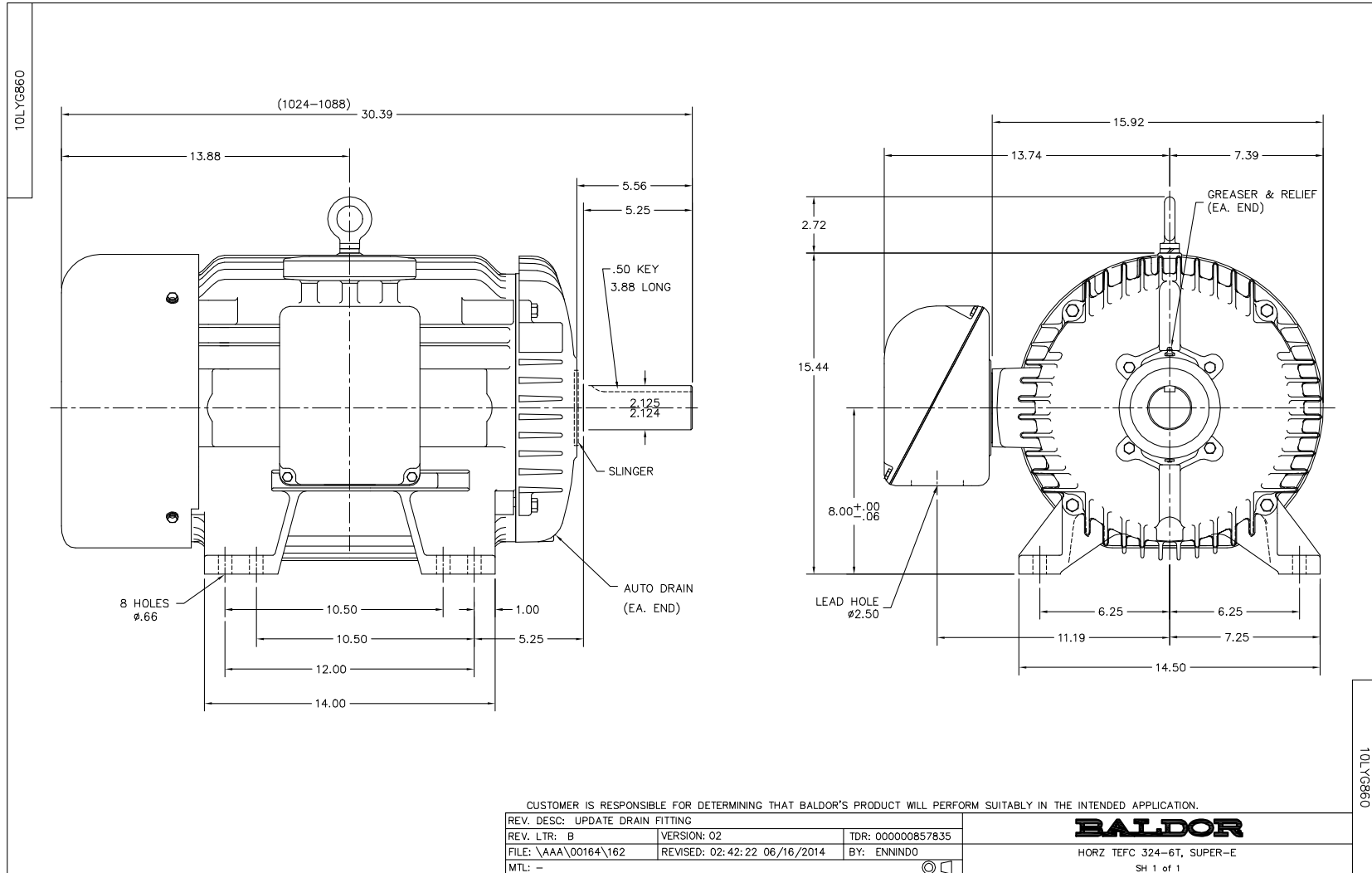
Typical performance - not guaranteed values.

25 HP 3 PH 60 HZ 1180 RPM 460 V 1072M

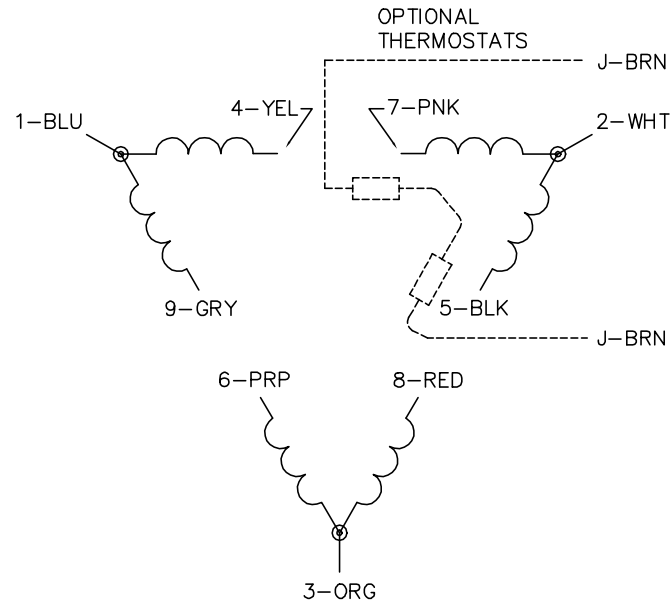
TORQUES (LB-FT): PO=357 PU=165 LR=220 LRA=220



1/15/2021 ACPERF, record # 21410



CD0180



LOW VOLTAGE
(2D)



HIGH VOLTAGE
(1D)



NOTES:

1. INTERCHANGE ANY TWO LINE LEADS TO REVERSE ROTATION.
2. OPTIONAL THERMOSTATS ARE PROVIDED WHEN SPECIFIED.
3. ACTUAL NUMBER OF INTERNAL PARALLEL CIRCUITS MAY BE A MULTIPLE OF THOSE SHOWN ABOVE.
4. LEAD COLORS ARE OPTIONAL. LEADS MUST ALWAYS BE NUMBERED AS SHOWN.

CD0180

REV. DESC: ADD CLASS CONN00000007		
REV. LTR: D	VERSION: 01	TDR: 000001099922
FILE: \AAA\00005\148	REVISED: 10: 25: 29 02/19/2019	BY: ENBRIRO
MTL: -	© □	

BALDOR - RELIANCE®

3PH, DV, 9 LEADS, DELTA CONNECTION

SH 1 of 1