



Customer information packet

EM4103T-12

25HP, 1775RPM, 3PH, 60HZ, 284T, 1054M, TEFC, F1

ELECTRIC MOTOR WHOLESALE.COM

Class - None

Division - Not Applicable

Specifications

| | |
|--------------------------------|--|
| Enclosure | TEFC |
| Frame | 284T |
| Frame Material | Iron |
| Frequency | 60.00 Hz |
| Output @ Frequency | 25.000 HP @ 60 HZ |
| Phase | 3 |
| Synchronous Speed @ Frequency | 1800 RPM @ 60 HZ |
| Voltage @ Frequency | 460.0 V @ 60 HZ 230.0 V @ 60 HZ |
| XP Class and Group | None |
| XP Division | Not Applicable |
| Agency Approvals | CSA CSA EEV UR |
| Ambient Temperature | 40 °C |
| Auxillary Box | No Auxillary Box |
| Auxillary Box Lead Termination | None |
| Base Indicator | Rigid |
| Bearing Grease Type | Polyrex EM (-20F +300F) |
| Blower | None |
| Current @ Voltage | 31.000 A @ 460.0 V 62.000 A @ 230.0 V 64.000 A @ 208.0 V |
| Design Code | A |
| Drip Cover | No Drip Cover |
| Duty Rating | CONT |
| Efficiency @ 100% Load | 93.6 % |
| Electrically Isolated Bearing | Not Electrically Isolated |
| Feedback Device | NO FEEDBACK |
| Front Face Code | Standard |
| Front Shaft Indicator | None |
| Heater Indicator | No Heater |

Part detail

| | |
|--------------|------------|
| Revision | E |
| Type | AC |
| Mech. spec. | 10L62 |
| Base | |
| Status | PRD/A |
| Elec. spec. | 10WGZ696 |
| Layout | 10LYL062 |
| Eff. date | 01-05-2021 |
| CD Diagram | CD0104 |
| Poles | 04 |
| Leads | 12#10 |
| Proprietary | False |
| Created date | 10-23-2017 |

| | |
|-------------------------------|-----------------------|
| High Voltage Full Load Amps | 31.0 a |
| Insulation Class | F |
| Inverter Code | Inverter Ready |
| KVA Code | J |
| Lifting Lugs | Standard Lifting Lugs |
| Locked Bearing Indicator | Locked Bearing |
| Motor Lead Exit | Ko Box |
| Motor Lead Quantity/Wire Size | 12 @ 10 AWG |
| Motor Lead Termination | Flying Leads |
| Motor Standards | NEMA |
| Motor Type | 1054M |
| Mounting Arrangement | F1 |
| Number of Poles | 4 |
| Overall Length | 27.56 IN |
| Power Factor | 81 |
| Product Family | General Purpose |
| Pulley End Bearing Type | Ball |
| Pulley Face Code | Standard |
| Pulley Shaft Indicator | Standard |
| Rodent Screen | None |
| Service Factor | 1.15 |
| Shaft Diameter | 1.875 IN |
| Shaft Extension Location | Pulley End |
| Shaft Ground Indicator | No Shaft Grounding |
| Shaft Rotation | Reversible |
| Shaft Slinger Indicator | Shaft Slinger |
| Speed | 1775 rpm |
| Speed Code | Single Speed |
| Starting Method | Wye Start - Delta Run |
| Thermal Device - Bearing | NONE (OLD) |
| Thermal Device - Winding | None |
| Vibration Sensor Indicator | No Vibration Sensor |
| Winding Thermal 1 | None |
| Winding Thermal 2 | None |

Nameplate

NP3443L

| | | | | | | | |
|------------------|--------------|-----------------------|------|----------------------------|---------------|----------------|-------------|
| CAT.NO. | EM4103T-12 | CUST. P/N | | | | ENCL | TEFC |
| SPEC. | 10L062Z696 | CC | 010A | FRAME | 284T | SER.NO. | |
| HP | 25 | CLASS | F | HZ | 60 | | |
| R.P.M. | 1775 | PH | 3 | DES | A | | |
| VOLTS | 230/460 | CODE | J | ODE BRG | 6309 | DE BRG | 6311 |
| AMPS | 62/31 | USABLE AT 208V | | 64 | | | |
| RATING | 40C AMB-CONT | NEMA NOM. EFF. | | 93.6 | GREASE | POLYREX EM | |
| P.F. | 81 | SER.F. | 1.15 | VPWM INVERTER READY | | | |
| HTR-VOLTS | | HTR-AMPS | | HTR-WATTS | | | |

Parts list

| Part number | Description | Quantity |
|-------------|--|----------|
| SA347064 | SA 10L062Z696 | 1.000 ea |
| RA335614 | RA 10L062Z696 | 1.000 ea |
| 09FN3001C02 | EXTERNAL FAN, PLASTIC | 1.000 ea |
| 10CB3000SP | KOBX, CAST W/2.00 LEAD HOLE | 1.000 ea |
| 09GS1000SP | GASKET-CONDUIT BOX, 1/16 THICK LEXIDE | 1.000 ea |
| 10XN3118K12 | 5/16-18 X .75 GRADE 5, ZINC PLATED | 4.000 ea |
| HW1001A31 | LOCKWASHER 5/16, ZINC PLT.591 OD, .319 I | 4.000 ea |
| HA1005A04 | SLINGER, OD 3.620, ID 1.98, | 1.000 ea |
| WD1000B25 | GND LUG, BURNDY L125HP OR T&B L125HP-BB | 1.000 ea |
| 19XW3118G08 | .31-18X.50,HEX WSHR HD,TAPTITE 2,GREEN | 1.000 ea |
| 10EP1104A01 | FR ENDPLATE | 1.000 ea |
| 10XN3816K28 | 3/8-16 X 1.75 HEX HD CAP SCREW, GRADE 5 | 4.000 ea |
| HW1001A38 | LOCKWASHER 3/8, ZINC PLT .688 OD, .382 I | 4.000 ea |
| HW5100A11 | W3917-042 WVY WSHR (WB) | 1.000 ea |
| 10EP1105A01 | PU ENDPLATE | 1.000 ea |
| 10XN2520K32 | 1/4-20 X 2.00 HX HD SCRW GRADE 5, ZINC P | 2.000 ea |
| HW1001A25 | LOCKWASHER 1/4, ZINC PLT .493 OD, .255 I | 2.000 ea |
| 10XN3118K40 | 5/16-18 X 2.50" HEX HD, GRADE 5 | 4.000 ea |
| HW1001A31 | LOCKWASHER 5/16, ZINC PLT.591 OD, .319 I | 4.000 ea |
| 10XN3816K28 | 3/8-16 X 1.75 HEX HD CAP SCREW, GRADE 5 | 4.000 ea |
| HW1001A38 | LOCKWASHER 3/8, ZINC PLT .688 OD, .382 I | 4.000 ea |
| 10FH1007 | FAN COVER, CAST QF | 1.000 ea |
| 10XN3118K20 | 5/16-18 X 1 1/4 GRADE 5 STEEL ZC PLATED | 3.000 ea |
| HW1001A31 | LOCKWASHER 5/16, ZINC PLT.591 OD, .319 I | 3.000 ea |
| 10CB3500SP | CONDUIT BOX LID, CAST | 1.000 ea |
| 10GS1000SP | GASKET, CONDUIT BOX LID | 1.000 ea |
| 51XW2520A12 | .25-20 X .75, TAPTITE II, HEX WSHR SLTD | 4.000 ea |
| HW2501H28 | KEY, 1/2 SQ X 3.250 | 1.000 ea |
| LB1115N | LABEL,LIFTING DEVICE (ON ROLLS) | 1.000 ea |
| HW4500A21 | 1618BALEMITE FITTING 825 UNIVERSAL | 1.000 ea |
| HA4017A11 | 1/8 X 2.75 GREASE EXT (F/S) | 1.000 ea |

| | | |
|-------------|--|----------|
| HW4500A17 | 317400 ALEMITE GREASE RELIEF | 1.000 ea |
| HA4054 | SHORT T-DRAIN FITTING, .125" N.P.T. | 1.000 ea |
| HA4051A00 | PLASTIC CAP FOR GREASE FITTING | 1.000 ea |
| MJ1000A02 | GREASE, MOBIL POLYREX EM - 124047 | 0.130 lb |
| HW4500A03 | GREASE FITTING, .125 NPT 1610(ALEMITE) 8 | 1.000 ea |
| HW4500A17 | 317400 ALEMITE GREASE RELIEF | 1.000 ea |
| HA4054 | SHORT T-DRAIN FITTING, .125" N.P.T. | 1.000 ea |
| HA4051A00 | PLASTIC CAP FOR GREASE FITTING | 1.000 ea |
| HW2500A25 | WOODRUFF KEY USA #1008 #BLOW CARBON STEE | 1.000 ea |
| MG1000Y03 | MUNSELL 2.53Y 6.70/ 4.60, GLOSS 20, | 0.070 ga |
| 85XU0407S04 | 4X1/4 U DRIVE PIN STAINLESS | 4.000 ea |
| LB1119N | WARNING LABEL | 1.000 ea |
| LC0104A01 | CONNECTION DIAGRAM | 1.000 ea |
| NP3443L | SS SUPER-E UL CSA-EEV PREM CC | 1.000 ea |
| 10PA1000 | PACKAGING GROUP COMBINED PRINT PK1023A06 | 1.000 ea |
| MN416A01 | TAG-INSTAL-MAINT no wire (1200/bx) 3/19 | 1.000 ea |
| PE-0000013 | ZRTG PE ASSEMBLY | 1.000 ea |

AC Induction Motor Performance Data

Record # 67498

Typical performance - not guaranteed values

| Winding: 10WGZ696-R001 | | Type: 1054M | | Enclosure: TEFC | |
|-------------------------------|--------------------------|----------------------------|---|------------------------|--|
| Nameplate Data | | | 460 V, 60 Hz: Run Connection | | |
| Rated Output (HP) | 25 | Full Load Torque | 74.02 LB-FT | | |
| Volts | 230/460 | Start Configuration | direct on line | | |
| Full Load Amps | 62/31 | Breakdown Torque | 262 LB-FT | | |
| R.P.M. | 1775 | Pull-up Torque | 118 LB-FT | | |
| Hz | 60 Phase | 3 | Locked-rotor Torque | 142 LB-FT | |
| NEMA Design Code | A KVA Code | J | Starting Current | 223 A | |
| Service Factor (S.F.) | 1.15 | No-load Current | 13.6 A | | |
| NEMA Nom. Eff. | 93.6 Power Factor | 81 | Line-line Res. @ 25°C | 0.2345 Ω | |
| Rating - Duty | 40C AMB-CONT | | Temp. Rise @ Rated Load | 51°C | |
| S.F. Amps | | | Temp. Rise @ S.F. Load | 61°C | |
| | | | Locked-rotor Power Factor | 30.6 | |

Load Characteristics 460 V, 60 Hz, 25 HP

| % of Rated Load | 25 | 50 | 75 | 100 | 125 | 150 | S.F. |
|------------------------|-----------|-----------|-----------|------------|------------|------------|-------------|
| Power Factor | 43 | 65 | 76 | 81 | 84 | 85 | 83 |
| Efficiency | 88.3 | 92.8 | 93.9 | 94 | 93.7 | 93.1 | 93.8 |
| Speed | 1794.1 | 1789.3 | 1783.5 | 1777.8 | 1770.8 | 1763.8 | 1774 |
| Line amperes | 15.3 | 19.3 | 24.6 | 30.6 | 37.2 | 44.5 | 34.6 |

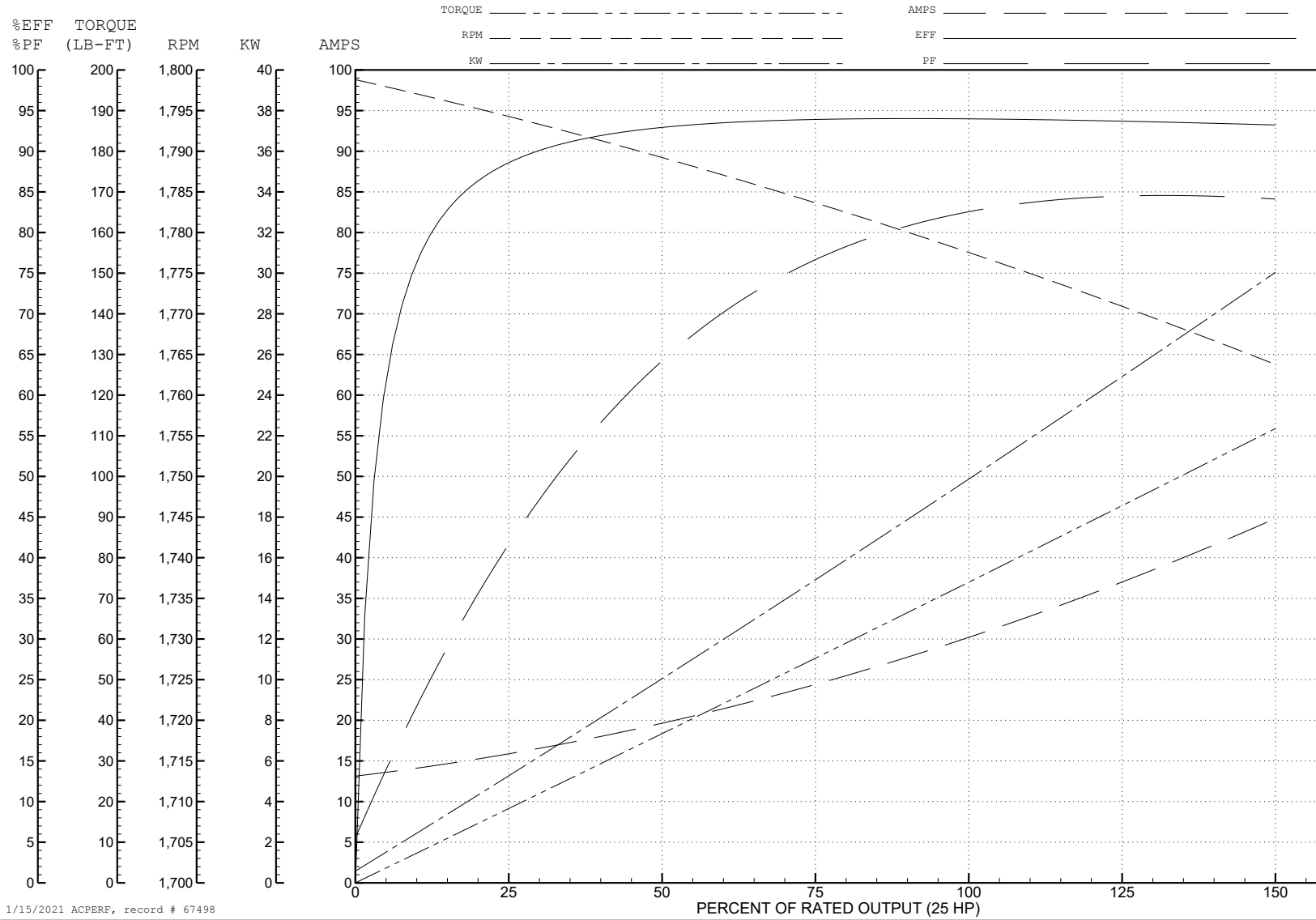
ABB Motors and Mechanical Inc.

WINDING # 10WGZ696

Typical performance - not guaranteed values.

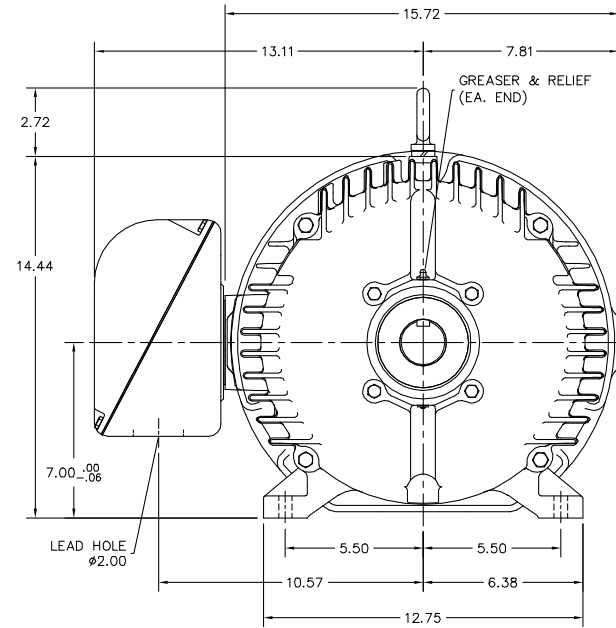
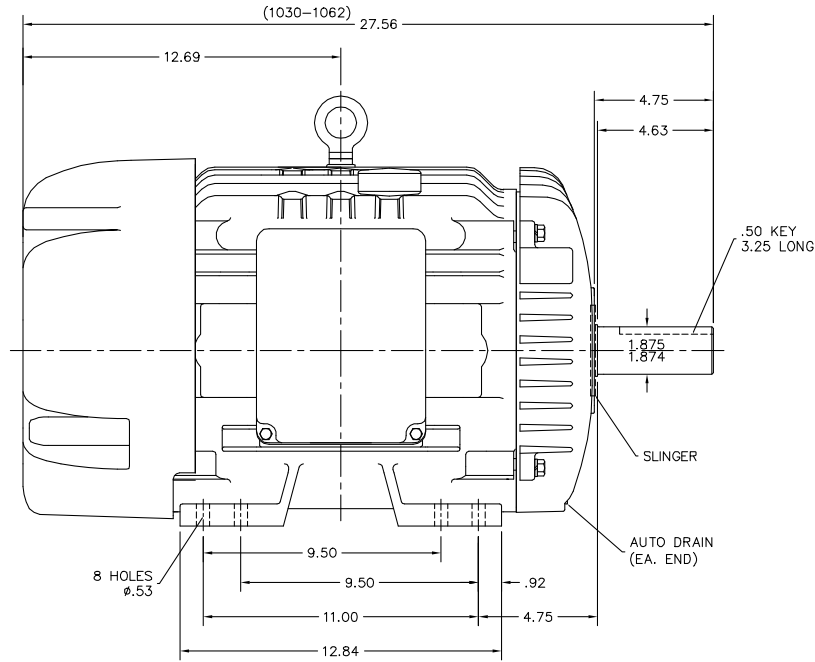
25 HP 3 PH 60 HZ 1775 RPM 460 V 1054M

TORQUES (LB-FT): PO=262 PU=118 LR=142 LRA=223



1/15/2021 ACPERF, record # 67498

10LY1062



10LY1062

CUSTOMER IS RESPONSIBLE FOR DETERMINING THAT BALDOR'S PRODUCT WILL PERFORM SUITABLY IN THE INTENDED APPLICATION.

| | | |
|---------------------------------|------------------------------|-------------------|
| REV. DESC: UPDATE DRAIN FITTING | | |
| REV. LTR: H | VERSION: 04 | TDR: 000000857835 |
| FILE: \AAA\00008\906 | REVISED: 09:05:36 06/17/2014 | BY: ENNINDO |
| MTL: - | | |

BALDOR

HORZ TEFC 284-6T, HI-EFF
SH 1 of 1

