



Customer information packet

ECP83660T-5

3HP, 3450RPM, 3PH, 60HZ, 182T, 0632M, TEFC, F1

Class - None

Division - Not Applicable

Specifications

Enclosure	TEFC
Frame	182T
Frame Material	Iron
Frequency	60.00 Hz
Motor Letter Type	Three Phase
Output @ Frequency	3.000 HP @ 60 HZ
Phase	3
Synchronous Speed @ Frequency	3600 RPM @ 60 HZ
Voltage @ Frequency	575.0 V @ 60 HZ
XP Class and Group	None
XP Division	Not Applicable
Agency Approvals	CSA CSA EEV UR
Ambient Temperature	40 °C
Auxillary Box	No Auxillary Box
Auxillary Box Lead Termination	None
Base Indicator	Rigid
Bearing Grease Type	Polyrex EM (-20F +300F)
Blower	None
Constant Torque Speed Range	6
Current @ Voltage	2.700 A @ 575.0 V
Design Code	B
Drip Cover	No Drip Cover
Duty Rating	CONT
Efficiency @ 100% Load	88.5 %
Electrically Isolated Bearing	Not Electrically Isolated
Feedback Device	NO FEEDBACK
Front Face Code	Standard
Front Shaft Indicator	None
Heater Indicator	No Heater
High Voltage Full Load Amps	2.7 a

Part detail

Revision	X
Type	AC
Mech. spec.	06H759
Base	
Status	PRD/A
Elec. spec.	06WGX185
Layout	06LYH759
Eff. date	05-23-2022
CD Diagram	CD0006
Poles	02
Leads	3#18
Proprietary	False
Created date	05-17-2010

Insulation Class	F
Inverter Code	Inverter Duty
KVA Code	K
Lifting Lugs	Standard Lifting Lugs
Locked Bearing Indicator	Locked Bearing
Max Speed	5400 rpm
Motor Lead Exit	Ko Box
Motor Lead Quantity/Wire Size	3 @ 18 AWG
Motor Lead Termination	Ring Terminals
Motor Standards	NEMA
Motor Type	0632M
Mounting Arrangement	F1
Number of Poles	2
Overall Length	15.93 IN
Power Factor	94
Product Family	Chem Process S/P 32-8 IEEE 841
Pulley End Bearing Type	Ball
Pulley Face Code	Standard
Pulley Shaft Indicator	Standard
Rodent Screen	None
Service Factor	1.15
Shaft Diameter	1.125 IN
Shaft Extension Location	Pulley End
Shaft Ground Indicator	No Shaft Grounding
Shaft Rotation	Reversible
Shaft Slinger Indicator	Shaft Slinger
Speed	3450 rpm
Speed Code	Single Speed
Starting Method	Direct on line
Thermal Device - Bearing	None
Thermal Device - Winding	None
Vibration Sensor Indicator	No Vibration Sensor
Winding Thermal 1	None
Winding Thermal 2	None

XP Temp Code

T3C

Nameplate

NP3235E									
CAT.NO.	ECP83660T-5								
SPEC.	06H759X185G1								
HP	3 TE				IP	56			
VOLTS	575								
AMPS	2.7								
R.P.M.	3450								
FRAME	182T		HZ	60		PH	3		
SER.F.	1.15	CODE	K	DES.	B	CLASS	F		
RATING	40C AMB-CONT								
SN									
DE	6206	ODE	6206						
NEMA NOM. EFF.	88.5	P.F.	94						
GUAR. MIN. EFF.	86.5	CC	010A						
T. CODE	T3C	TEMP=	160						

NP3186E

SPEC.	06H759X185G1		
ABMA DE BRG	30BC02X30X		
ABMA ODE BRG	30BC02X30X		
GREASE	POLYREX EM		
MOTOR WEIGHT	116	ROTOR BARS	28
		STATOR BARS	36
MAX. R.P.M.	5400	MAX. KVAR	N/A
INV.TYPE	PWM		
T=	160		
CHP	60	TO	90
CT	6	TO	60
VT	3	TO	60
HTR-VOLTS	N/A	HTR-AMPS	N/A
HTR-WATTS		MAX. SPACE HEATER TEMP.	N/A

AC Induction Motor Performance Data

Record # 95363

Typical performance - not guaranteed values

Winding: 06WGX185-R005		Type: 0632M	Enclosure: TEFC	
Nameplate Data			575 V, 60 Hz: Single Voltage Motor	
Rated Output (HP)	3	Full Load Torque	4.53 LB-FT	
Volts	575	Start Configuration	direct on line	
Full Load Amps	2.7	Breakdown Torque	21.1 LB-FT	
R.P.M.	3450	Pull-up Torque	10.9 LB-FT	
Hz	60 Phase	Locked-rotor Torque	14.2 LB-FT	
NEMA Design Code	B KVA Code	Starting Current	25.5 A	
Service Factor (S.F.)	1.15	No-load Current	0.642 A	
NEMA Nom. Eff.	88.5 Power Factor	Line-line Res. @ 25°C	6.39 Ω	
Rating - Duty	40C AMB-CONT	Temp. Rise @ Rated Load	31°C	
S.F. Amps		Temp. Rise @ S.F. Load	39°C	
		Locked-rotor Power Factor	42.3	
		Rotor inertia	0.144 lb-ft ²	

Load Characteristics 575 V, 60 Hz, 3 HP

% of Rated Load	25	50	75	100	125	150	S.F.
Power Factor	70	86	91	94	94	94	94
Efficiency	83.3	88.5	89.2	88.5	87.2	85.4	87.7
Speed	3567	3540	3511	3480	3446	3410	3460
Line amperes	0.944	1.46	2.06	2.71	3.41	4.16	3.13

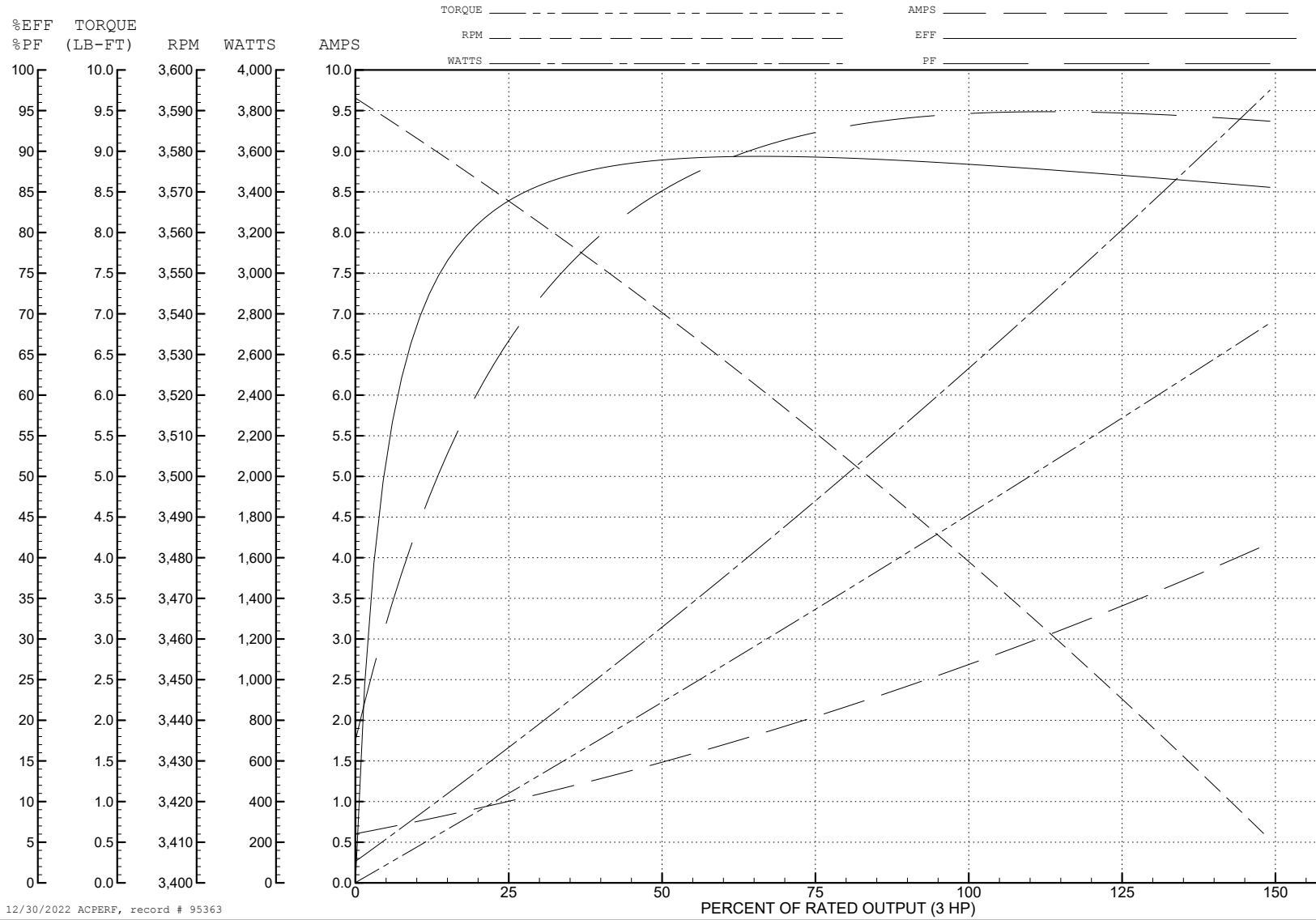
ABB Motors and Mechanical Inc.

WINDING # 06WGX185

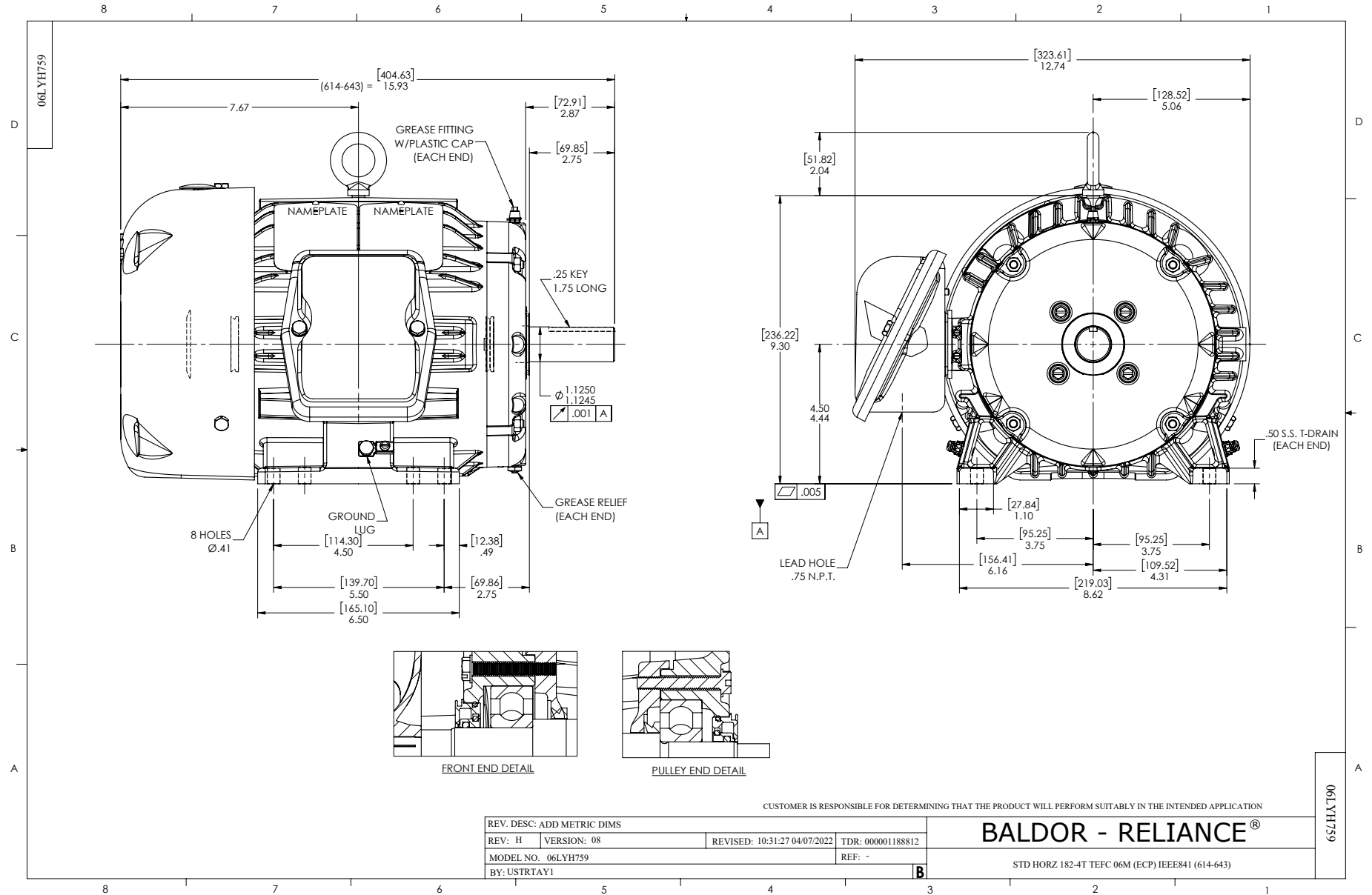
3 HP 3 PH 60 HZ 3450 RPM 575 V 0632M

Typical performance - not guaranteed values.

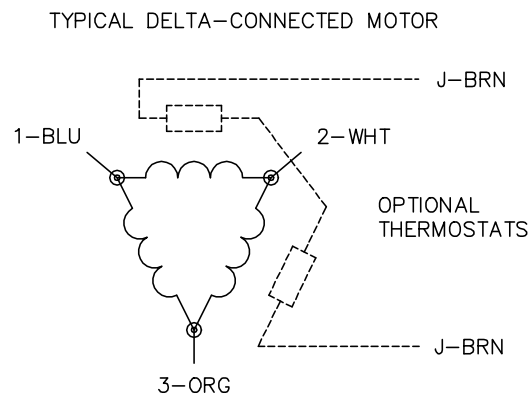
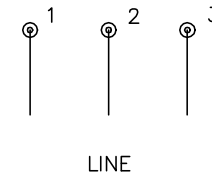
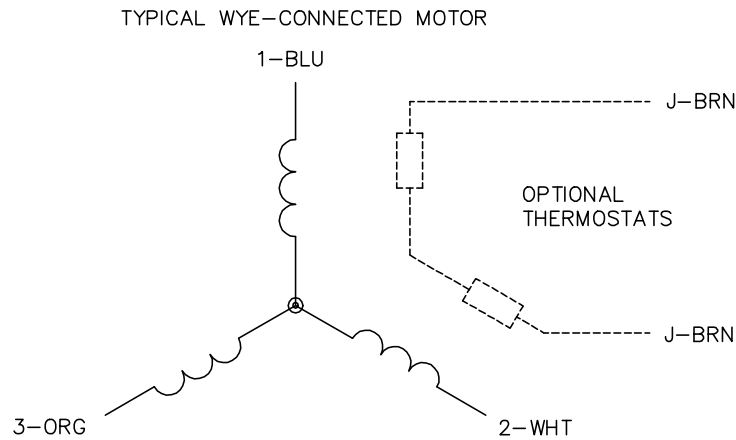
TORQUES (LB-FT): PO=21.1 PU=10.9 LR=14.2 LRA=25.5



12/30/2022 ACPERF, record # 95363



CD0006



NOTES:

1. THREE LEAD MOTOR MAY BE EITHER WYE CONNECTED OR DELTA CONNECTED.
2. INTERCHANGE ANY TWO LINE LEADS TO REVERSE ROTATION.
3. OPTIONAL THERMOSTATS ARE PROVIDED WHEN SPECIFIED.
4. ACTUAL NUMBER OF INTERNAL PARALLEL CIRCUITS MAY VARY.
5. LEAD COLORS ARE OPTIONAL. LEADS MUST BE NUMBERED AS SHOWN.

CD0006

REV. DESC: ADD CLASS CONN00000007		
REV. LTR: E	VERSION: 01	TDR: 000001099922
FILE: \AAA\00005\141	REVISED: 10:24:49 02/19/2019	BY: ENBRIRO
MTL: -	© □	

BALDOR - RELIANCE®

3PH, SV, 3 LEADS, WYE OR DELTA CONNECTED

SH 1 of 1