

**BALDOR • RELIANCE**

---

# Customer information packet

## ECP82333T-5

15HP, 1760RPM, 3PH, 60HZ, 254T, TEFC, F1

Class - CLI GP A,B,C,D

Division - Division II

## Specifications

Enclosure	TEFC
Frame	254T
Frame Material	Iron
Frequency	60.00 Hz
Motor Letter Type	Three Phase
Output @ Frequency	15.000 HP @ 60 HZ
Phase	3
Synchronous Speed @ Frequency	1800 RPM @ 60 HZ
Voltage @ Frequency	575.0 V @ 60 HZ
XP Class and Group	CL I GP A,B,C,D
XP Division	Division II
Agency Approvals	CCSA US CSA EEV UR
Ambient Temperature	40 °C
Auxillary Box	No Auxillary Box
Auxillary Box Lead Termination	None
Base Indicator	Rigid
Bearing Grease Type	Polyrex EM (-20F +300F)
Blower	None
Constant Torque Speed Range	1.3
Current @ Voltage	14.100 A @ 575.0 V
Design Code	B
Drip Cover	No Drip Cover
Duty Rating	CONT
Efficiency @ 100% Load	92.4 %
Electrically Isolated Bearing	Not Electrically Isolated
Enclosure Modification	841
Feedback Device	NO FEEDBACK
Heater Indicator	No Heater
High Voltage Full Load Amps	14.1 a
Insulation Class	F

## Part detail

Revision	M
Type	AC
Mech. spec.	
Base	
Status	PRD/A
Elec. spec.	09WVGZ985
Layout	09LYJ287
Eff. date	07-01-2022
CD Diagram	CD0006
Poles	04
Leads	3#12
Proprietary	False
Created date	11-27-2018

<b>Inverter Code</b>	<b>Inverter Duty</b>
<b>IP Rating</b>	IP56
<b>KVA Code</b>	G
<b>Lifting Lugs</b>	Standard Lifting Lugs
<b>Locked Bearing Indicator</b>	Locked Bearing
<b>Max Speed</b>	2700 rpm
<b>Motor Lead Termination</b>	Ring Terminals
<b>Motor Standards</b>	NEMA
<b>Motor Type</b>	0944M
<b>Mounting Arrangement</b>	F1
<b>Number of Poles</b>	4
<b>Overall Length</b>	24.68 IN
<b>Power Factor</b>	85
<b>Product Family</b>	Chem Process S/P 32-8 IEEE 841
<b>Pulley Face Code</b>	Standard
<b>Rodent Screen</b>	None
<b>Service Factor</b>	1.15
<b>Shaft Diameter</b>	1.625 IN
<b>Shaft Ground Indicator</b>	No Shaft Grounding
<b>Shaft Rotation</b>	Reversible
<b>Speed</b>	1760 rpm
<b>Speed Code</b>	Single Speed
<b>Starting Method</b>	Direct on line
<b>Thermal Device - Winding</b>	None
<b>Vibration Sensor Indicator</b>	No Vibration Sensor
<b>Winding Thermal 1</b>	None
<b>Winding Thermal 2</b>	None
<b>XP Temp Code</b>	T3C

**Nameplate**

**NP4332**

<b>STK.NO.</b>	ECP82333T-5	<b>P/N</b>		<b>ENCLOSURE</b>	TEFC
<b>SPEC.</b>	09-0000-0866	<b>CC</b>	010A	<b>FRAME</b>	254T
<b>HP</b>	15	<b>CLASS</b>	F	<b>HZ</b>	60
<b>RPM</b>	1760	<b>RPM MAX</b>	2700	<b>ODE BRG</b>	6309
<b>VOLT</b>	575	<b>PH</b>	3	<b>DE BRG</b>	6309
<b>AMP</b>	14.1	<b>DES</b>	B	<b>D.E. BRG.</b>	45BC03X30X
<b>RATING</b>	40C AMB-CONT	<b>PH 3</b>		<b>O.D.E. BRG.</b>	45BC03X30X
<b>NEMA-NOM-EFF</b>	92.4	<b>KVA-CODE</b>	G	<b>MAX. KVAR</b>	3.5
<b>G.MIN.EFF</b>	91	<b>MOTOR WEIGHT</b>	318	<b>BLANK</b>	
<b>TEMP CODE</b>	T3C	<b># OF ROTOR BARS</b>	40	<b>GREASE</b>	POLYREX EM
<b>TEMP =</b>	160	<b>SER.F.</b>	1.15	<b>INV.TYPE</b>	PWM
<b>CT HZ FROM</b>	1.3	<b># OF STATOR SLOTS</b>	48	<b>PF</b>	85
<b>HTR-VOLTS</b>		<b>INVERTER-TEMP-CODE</b>	180	<b>CT HZ TO</b>	60
<b>HTR-AMPS</b>		<b>C HP FR</b>	60	<b>C HP TO</b>	90
<b>HTR-WATTS</b>		<b>CT HZ TO</b>	60	<b>MAX. SPACE HEATER TEMP.</b>	
<b>VT HZ FROM</b>	0	<b>VT HZ TO</b>	60		

**AC Induction Motor Performance Data**

Record # 47085

Typical performance - not guaranteed values

<b>Winding: 09WGW985-R007</b>		<b>Type: 0944M</b>		<b>Enclosure: TEFC</b>	
<b>Nameplate Data</b>			<b>575 V, 60 Hz: Single Voltage Motor</b>		
<b>Rated Output (HP)</b>	15	<b>Full Load Torque</b>	44.6 LB-FT		
<b>Volts</b>	575	<b>Start Configuration</b>	direct on line		
<b>Full Load Amps</b>	14.1	<b>Breakdown Torque</b>	167 LB-FT		
<b>R.P.M.</b>	1760	<b>Pull-up Torque</b>	54.6 LB-FT		
<b>Hz</b>	60 <b>Phase</b>	3	<b>Locked-rotor Torque</b>	75 LB-FT	
<b>NEMA Design Code</b>	<b>B KVA Code</b>	G	<b>Starting Current</b>	88.5 A	
<b>Service Factor (S.F.)</b>		1.15	<b>No-load Current</b>	5.11 A	
<b>NEMA Nom. Eff.</b>	92.4 <b>Power Factor</b>	85	<b>Line-line Res. @ 25°C</b>	1.0056 Ω	
<b>Rating - Duty</b>		40C AMB-CONT	<b>Temp. Rise @ Rated Load</b>	50°C	
<b>S.F. Amps</b>			<b>Temp. Rise @ S.F. Load</b>	62°C	
			<b>Rotor inertia</b>	1.92 LB-FT <sup>2</sup>	

**Load Characteristics 575 V, 60 Hz, 15 HP**

<b>% of Rated Load</b>	<b>25</b>	<b>50</b>	<b>75</b>	<b>100</b>	<b>125</b>	<b>150</b>	<b>S.F.</b>
<b>Power Factor</b>	51	73	83	86	87	87	87
<b>Efficiency</b>	89.1	92.6	93	92.5	91.6	90.3	92
<b>Speed</b>	1792.2	1783.2	1773.8	1763.3	1752.9	1740.3	1757
<b>Line amperes</b>	6.09	8.32	10.9	14.1	17.6	21.3	16.2

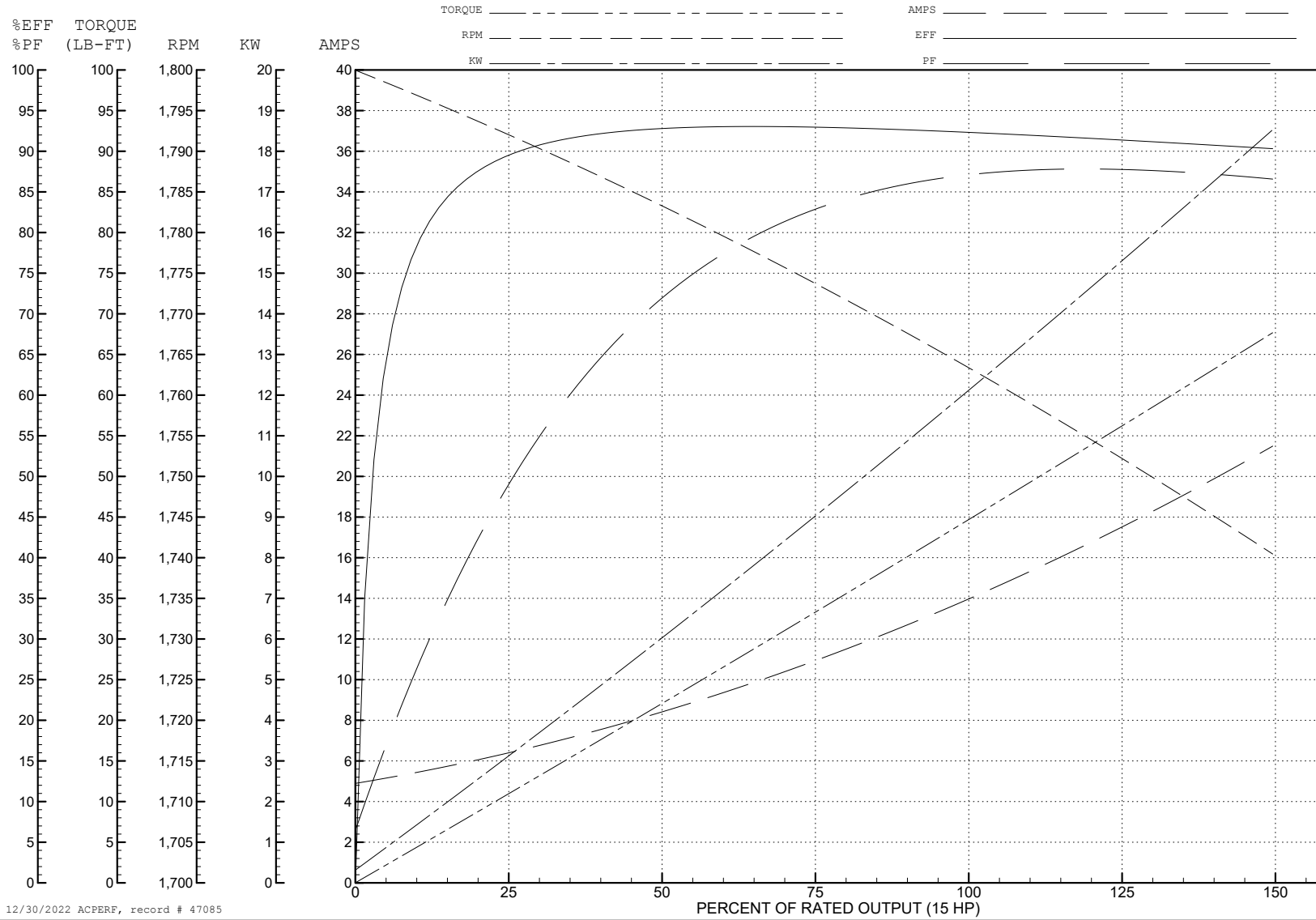
ABB Motors and Mechanical Inc.

WINDING # 09WGZ985

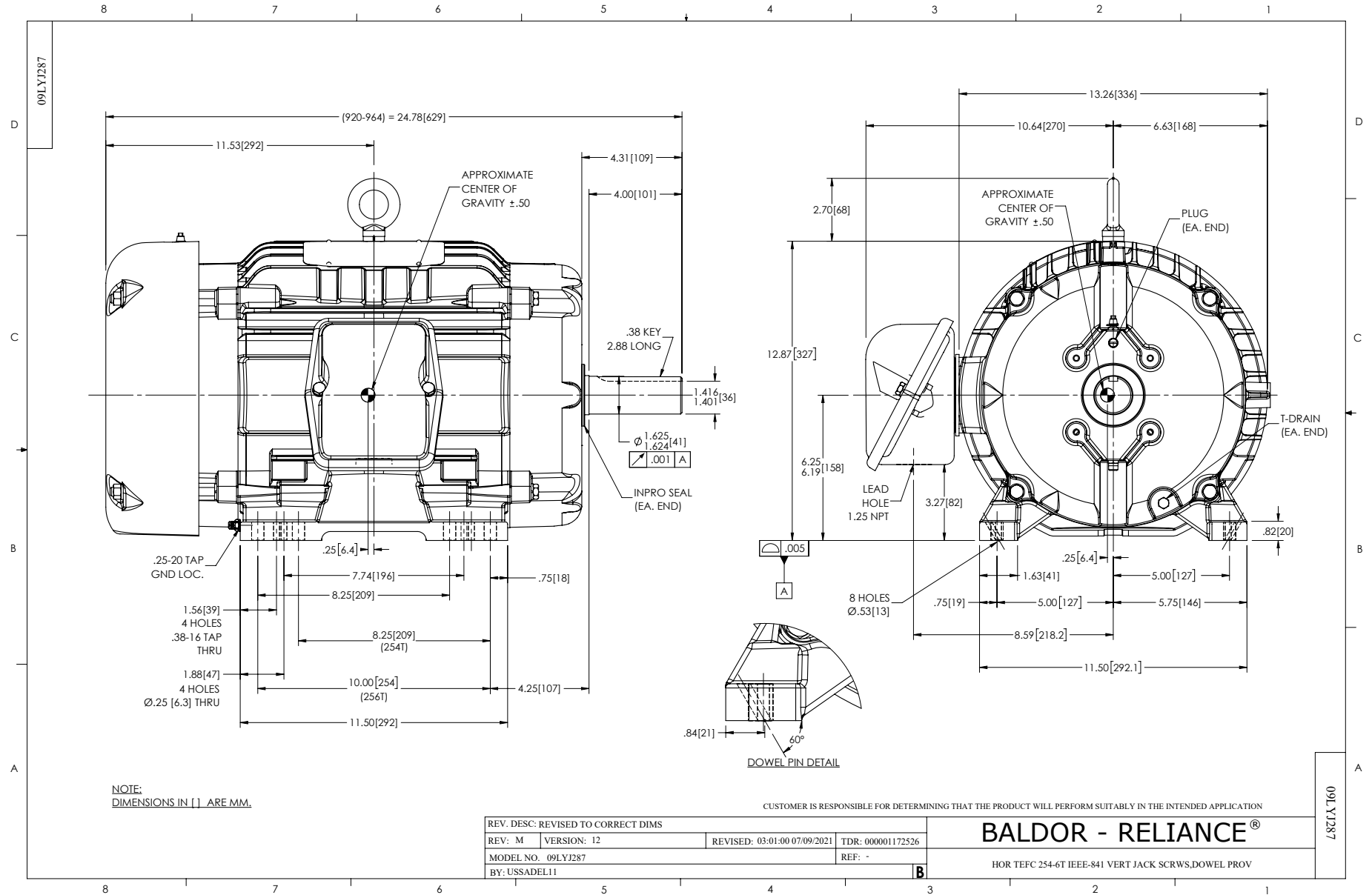
Typical performance - not guaranteed values.

15 HP 3 PH 60 HZ 1760 RPM 575 V 0944M

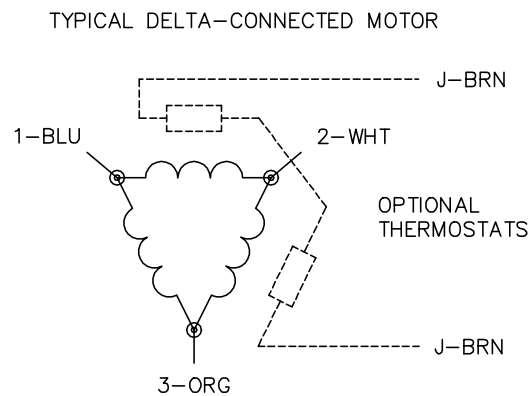
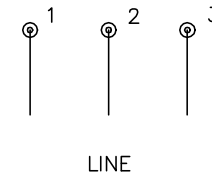
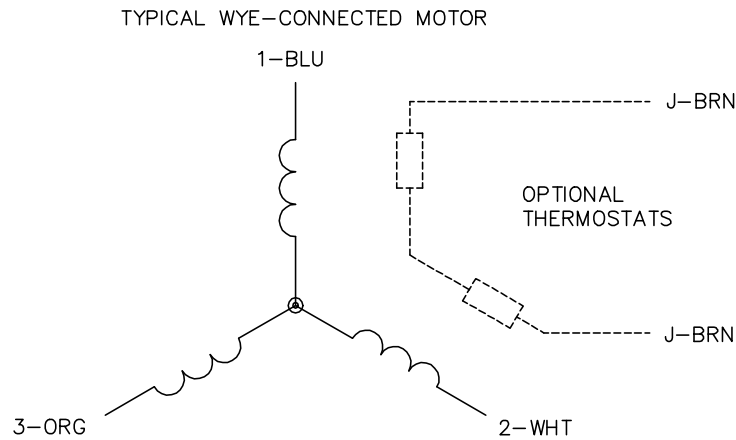
TORQUES (LB-FT): PO=167 PU=54.6 LR=75 LRA=88.5



12/30/2022 ACPERF, record # 47085



CD0006



NOTES:

1. THREE LEAD MOTOR MAY BE EITHER WYE CONNECTED OR DELTA CONNECTED.
2. INTERCHANGE ANY TWO LINE LEADS TO REVERSE ROTATION.
3. OPTIONAL THERMOSTATS ARE PROVIDED WHEN SPECIFIED.
4. ACTUAL NUMBER OF INTERNAL PARALLEL CIRCUITS MAY VARY.
5. LEAD COLORS ARE OPTIONAL. LEADS MUST BE NUMBERED AS SHOWN.

CD0006

REV. DESC: ADD CLASS CONN00000007		
REV. LTR: E	VERSION: 01	TDR: 000001099922
FILE: \AAA\00005\141	REVISED: 10:24:49 02/19/2019	BY: ENBRIRO
MTL: -	© □	

**BALDOR - RELIANCE®**

3PH, SV, 3 LEADS, WYE OR DELTA CONNECTED

SH 1 of 1