

BALDOR® • RELIANCE®

Customer information packet

CEM4314T

60HP, 1800RPM, 60HZ, 364TC, TEFC
ELECTRIC MOTOR WHOLESALE.COM

Specifications

BASIC CONFIGURATION

Product Family	General Purpose, 3Ph, Enclosed
HP Rating	60
Frequency (HZ)	60
Voltage	230/460
Division	None
Temp Code	None
Enclosure	TEFC
CT Turn Down	4:1
VT Turn Down	20:1
Inverter	Yes
Efficiency	Premium Eff. (NEMA 12-12)
Duty	Cont
Design Letter	B
Frame Material	Cast Iron

ELECTRICAL

Tropicalized Protection	No
Starting Method	Standard Start
Motor Space Heater	No

BEARINGS

Bearing Type DE	Ball
Bearing Type ODE	Ball
Grease Fittings Rqd	Yes

PACKAGING

Pallet Type	Standard
Packaging Type	Standard Packing

MECHANICAL

Part detail

Revision	-
Type	AC
Mech. spec.	
Base	
Status	PRD/A
Elec. spec.	A36WG4075-DES
Layout	A36C-0000000030
Eff. date	08-07-2020
CD Diagram	CD0180
Poles	04
Leads	3#4,6#6
Proprietary	False
Created date	08-07-2020

Balance	Standard (0.15 in/sec)
Fan Material	Standard
Fan Housing Material	Steel
Ingress Protection	IP54
Drip Cover Required	No
Paint System	Standard (C2)
Paint Color	Gold
Shaft Grounding	None
Frame Grounding Required	Yes
Auto Drain Type	"T" Drain – Plastic

CONDUIT BOX

Main Conduit Box Location	Standard (side)
Main Conduit Box Material	Steel
Main Conduit Box Size	Standard Oversize
Lead Entry Location	Toward Feet - Down
Terminal Blocks - Main Leads	No
Auxiliary Conduit Box 1 Loc	None
Auxiliary Conduit Box 2 Loc	None

MONITORING DEVICES

Winding Thermistor	No
Winding Thermostat	No

MOUNTING

Mounting Flange - DE	C-Face
Mounting Flange - ODE	None
Mounting Position	F-1
Frame Mounting	Foot
Foot Planarity	None
Drive Method	Coupled
Vertical Lifting Required	No
Shaft Extension	TC

NAMEPLATE / LABELS

Auxiliary Nameplate Required	No
Nameplate Data Type	Etched
Label CSA	Yes
Label CE	N/A
Label UR	Yes

Nameplate

NP3979LUA

CAT #	CEM4314T		SER			CC	010A						
SPEC	A36C-0000000030		RATING	40C AMB-CONT									
HZ	VOLTS		AMPS	RPM	HP	CODE	SF	DES	PF	NEMA NOM. EFF			
60	230/460		140/70	1780	60	G	1.15	B	84 %	95.0 %			
									%	%			
PH	3	CL	F	MAX CORR KVAR	15.00	USABLE AT 208V	154	A					
BRG	DE	6313	ODE	6313	ENCL	TEFC	FR	364TC	IP54				
GREASE	POLYREX EM				MTR WT	854		LBS					
USABLE AT	50HZ 50HP 190/380V 138/69A				SF1.0								
INVERTER DUTY	CT	15-60	HZ	4:1	VT	3-60	HZ	20:1	CHP	60-90	HZ	1.5:1	1.0 SF VPWM
MAX RPM	2700												

Parts list

Part number	Description	Quantity
A36WS4075F00	A36WG4075 WOUND STATOR CLASS F	1.000 ea
033050001C	IBOLT - 360	1.000 ea
085918051A	FRME 360 085918020WCB KB	1.000 ea
403783000AE	PIN 3/8"X2"L	1.000 ea
004824018L	RTV 732 CLEAR 10.1 OZTUBE	0.002 lb
A36WG4075-ROTOR	ROTOR CONFIG	1.000 ea
034180012DA	KEY 1X4X1/4X1-1/2 L	1.000 ea
034180034HA	KEY 5/8X5/8X4-1/4 L	1.000 ea
A36SH1000A00	365T TEFC 6313-6313 CLI SHAFT	1.000 ea
603298012A	CAP,LOCKING,313 BRG - 603298011WCA	1.000 ea
603298012B	CAP,NON-LOCKING,313 BRG 603298011WCA	1.000 ea
416821003FP	6313 C3 - - STL ABEC1 S SLUSH	1.000 ea
416821003FP	6313 C3 - - STL ABEC1 S SLUSH	1.000 ea
034600001AA	BUSH 1/4TO1/8 BLACK	1.000 ea
418150003A	GREASE FITTING CAP	1.000 ea
035000001A	ALFTG 1/8" 1610-BL	1.000 ea
035000001G	GREASE RELIEF FITTING, ALEMITE 317400	1.000 ea
HA4054	SHORT T-DRAIN FITTING, .125" N.P.T.	1.000 ea
415045002E	SLGR	1.000 ea
085922070W	BRKT 360 085922069WCA	1.000 ea
032018012DK	HHCS 1/2-13X1-1/2 PLTD. 032018012DR	4.000 ea
032018024CK	HHCS 3/8-16X3 PLTD.	3.000 ea
032018012DK	HHCS 1/2-13X1-1/2 PLTD. 032018012DR	4.000 ea
034600001AA	BUSH 1/4TO1/8 BLACK	1.000 ea
035000001G	GREASE RELIEF FITTING, ALEMITE 317400	1.000 ea
085922073B	BRKT 360 085922072WCC KB	1.000 ea
415045002E	SLGR	1.000 ea
418150003A	GREASE FITTING CAP	1.000 ea
034530052AB	P/NIP 1/8X6-1/2 GALV.	1.000 ea
HA4054	SHORT T-DRAIN FITTING, .125" N.P.T.	1.000 ea
415096002A	CPLG 1/8 HEX TYPE	1.000 ea

035000001A	ALFTG 1/8" 1610-BL	1.000 ea
032018024CK	HHCS 3/8-16X3 PLTD.	3.000 ea
032018008AK	HHCS 1/4-20X1 PLATED	4.000 ea
078559034A	+F/C A 078559001A - 360	1.000 ea
406099000A	PLUG - FAN COVER 320-440	1.000 ea
415072001B	CLAMP	1.000 ea
702676001C	FAN 360	1.000 ea
033512004LB	HHTTS 1/4-20X1/2 PLTD.	1.000 ea
415000103D	T/LUG #4AWG-1/0AWG W/HOLE FOR .250 BOLT	1.000 ea
077176000L	C/BOX, PAINTED 440	1.000 ea
077176001A	CBOXC, PAINTED 360-400	1.000 ea
043292000AJ	GASK 320-400	1.000 ea
402731001A	GASK 360-440	1.000 ea
032018008CK	HHCS 3/8-16X1L PLATED	4.000 ea
032018005AK	HHCS 1/4-20X5/8 PLATED	4.000 ea
MG1025Y17	WILKOFAS, 789.701, SUPER E PEARL GOLD	0.250 ga
004824003CBY	WILKO PAINT 060.02 - ACTIVATOR	0.063 ga
482403003BEF	RUST VETO 342	0.002 ga
482403003BEF	RUST VETO 342	0.002 ga
LC0181	CONNECTION LABEL	1.000 ea
000692000FP	NP, WARNING LIFT INSTRUCTIONS	1.000 ea
033775004EA	DRSCR #6-1/4 304 S.S.	4.000 ea
000692000VD	LABEL WARNING	1.000 ea
MN416	TAG-INSTAL-MAINT w/wire. (1200/bx) 3/19	1.000 ea
14PA1000	PACKAGING 314 GROUP COMBINED PRINT	1.000 ea
032509020C	CARRIAGE BOLT - 360	3.000 ea
HW1000A32	5/16 FL WASHER WIDE, ID=.344, OD=1.125	3.000 ea
NP3979LUA	SS SUPER-E UR CSA-C-US-EEV NEMA PREM CC	1.000 ea
410700004F	WSHR	1.000 ea
004824015A	GREASE POLYREX EM	0.544 lb

AC Induction Motor Performance Data

Record # 72794

Typical performance - not guaranteed values

Winding: A36WG4075-R001		Type: A3658M	Enclosure: TEFC	
Nameplate Data			460 V, 60 Hz: High Voltage Connection	
Rated Output (HP)	60	Full Load Torque	176.4 LB-FT	
Volts	230/460	Start Configuration	direct on line	
Full Load Amps	140/70	Breakdown Torque	422 LB-FT	
R.P.M.	1780	Pull-up Torque	276 LB-FT	
Hz	60 Phase	3	Locked-rotor Torque	352 LB-FT
NEMA Design Code	B KVA Code	G	Starting Current	462 A
Service Factor (S.F.)	1.15	No-load Current	24.8 A	
NEMA Nom. Eff.	95 Power Factor	84	Line-line Res. @ 25°C	0.10816 Ω
Rating - Duty	40C AMB-CONT	Temp. Rise @ Rated Load	56°C	
S.F. Amps		Temp. Rise @ S.F. Load	70°C	
		Locked-rotor Power Factor	32.3	

Load Characteristics 460 V, 60 Hz, 60 HP

% of Rated Load	25	50	75	100	125	150	S.F.
Power Factor	51	73	81	84	86	85	85
Efficiency	92.6	95.1	95.4	95.2	94.6	93.8	94.8
Speed	1796.4	1792.4	1788	1783.7	1778.3	1772.3	1780
Line amperes	29.7	40.7	54.4	69.7	86.6	105	79.8

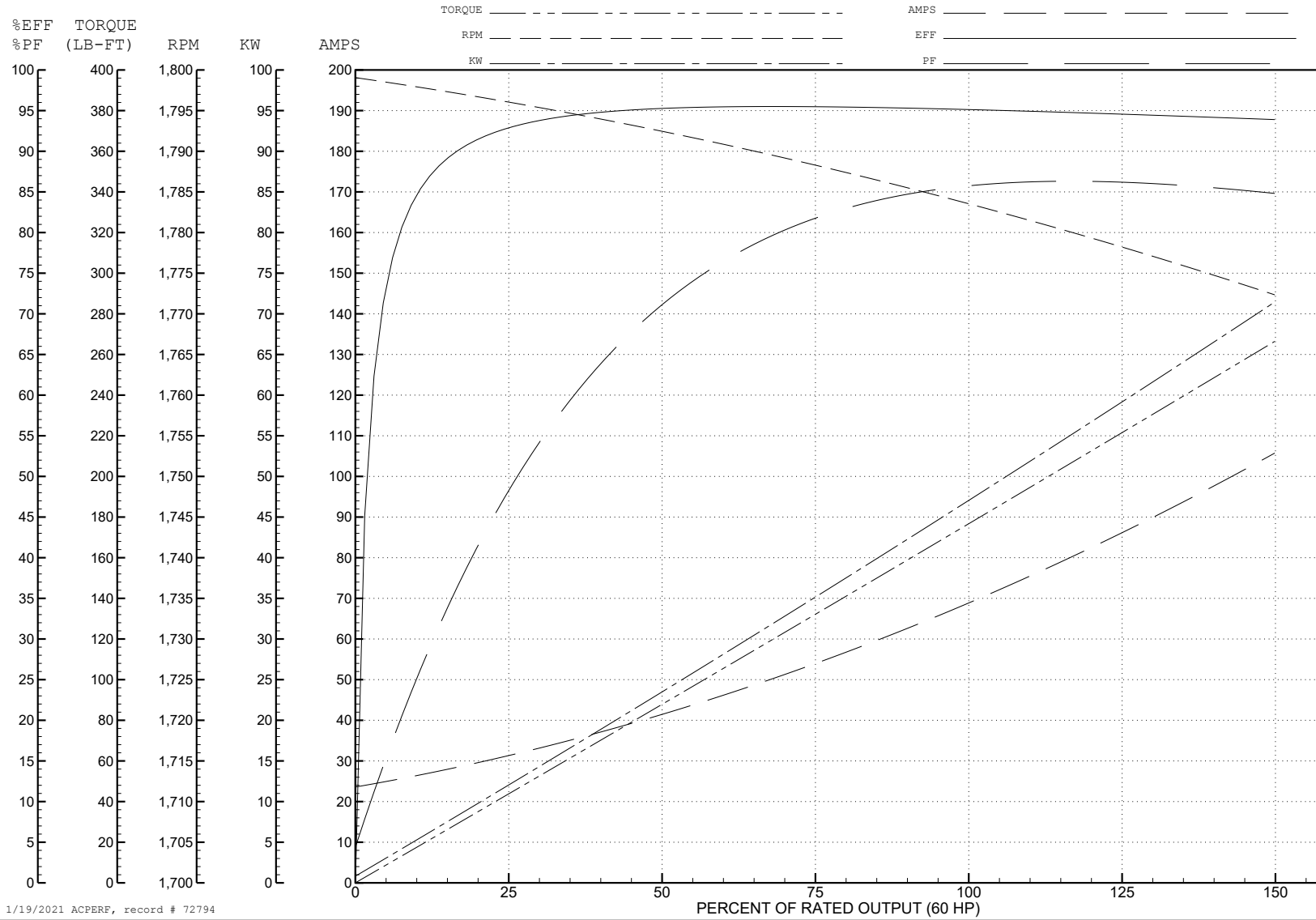
ABB Motors and Mechanical Inc.

WINDING # A36WG4075

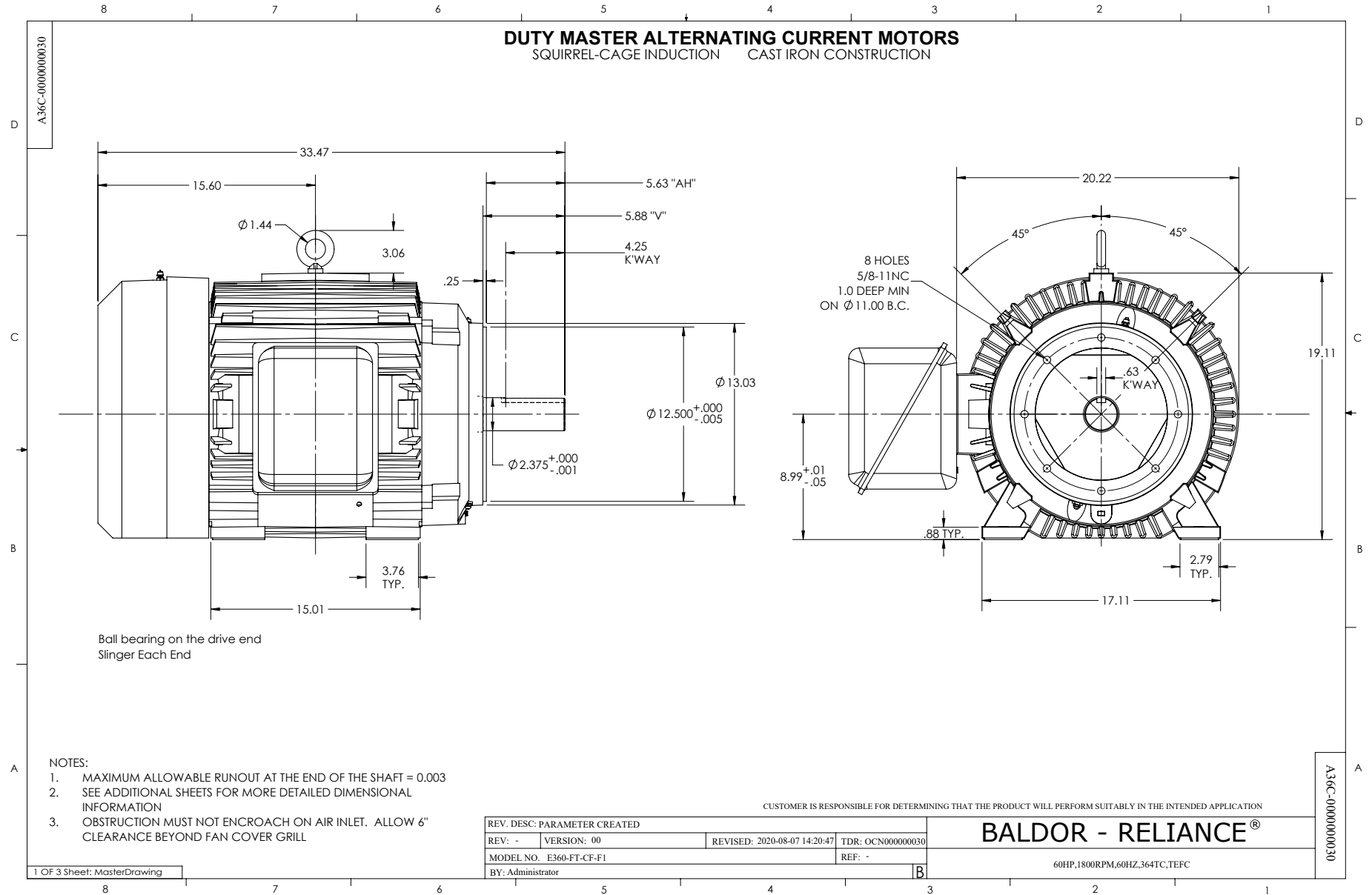
60 HP 3 PH 60 HZ 1780 RPM 460 V A3658M

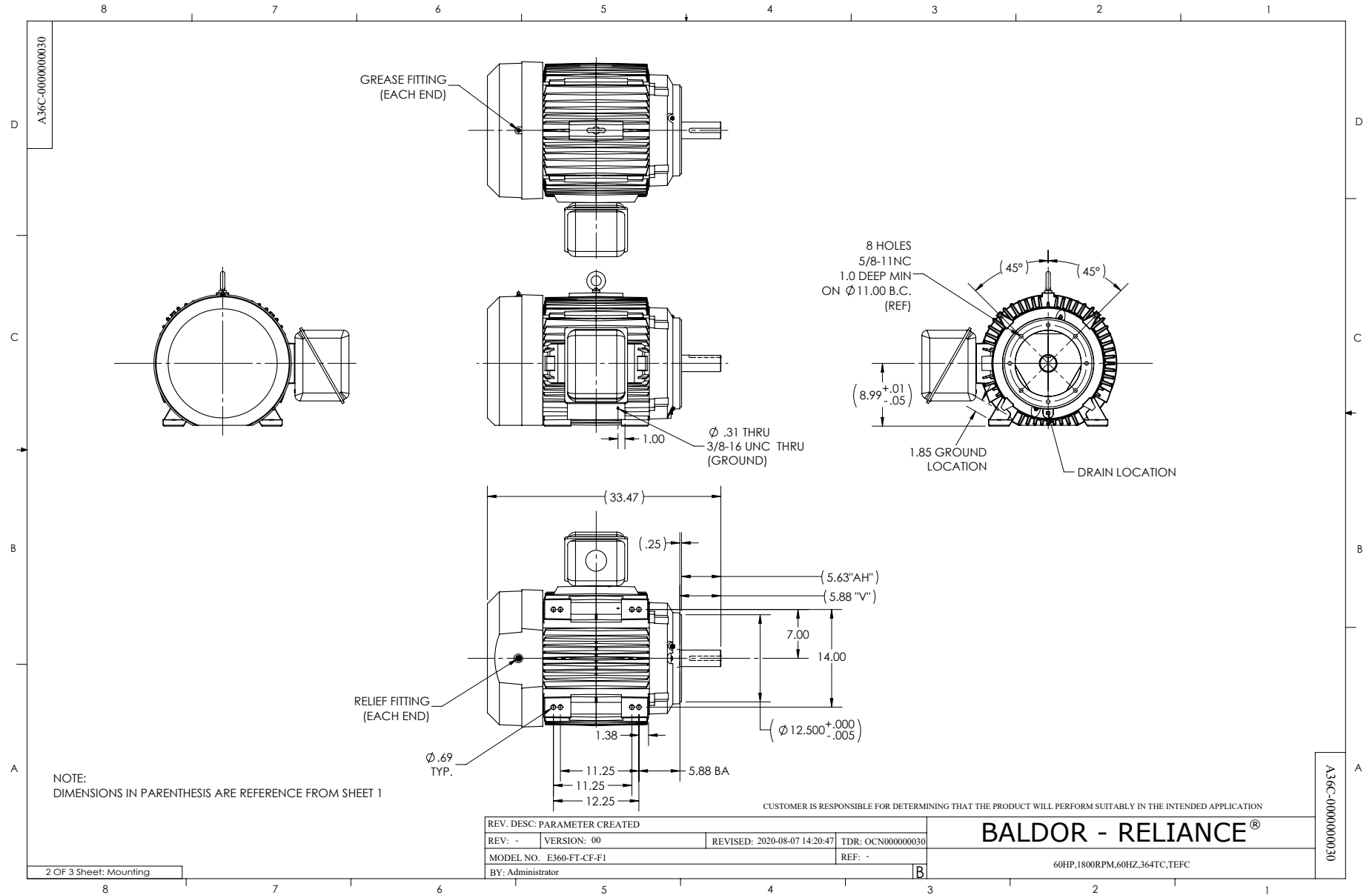
Typical performance - not guaranteed values.

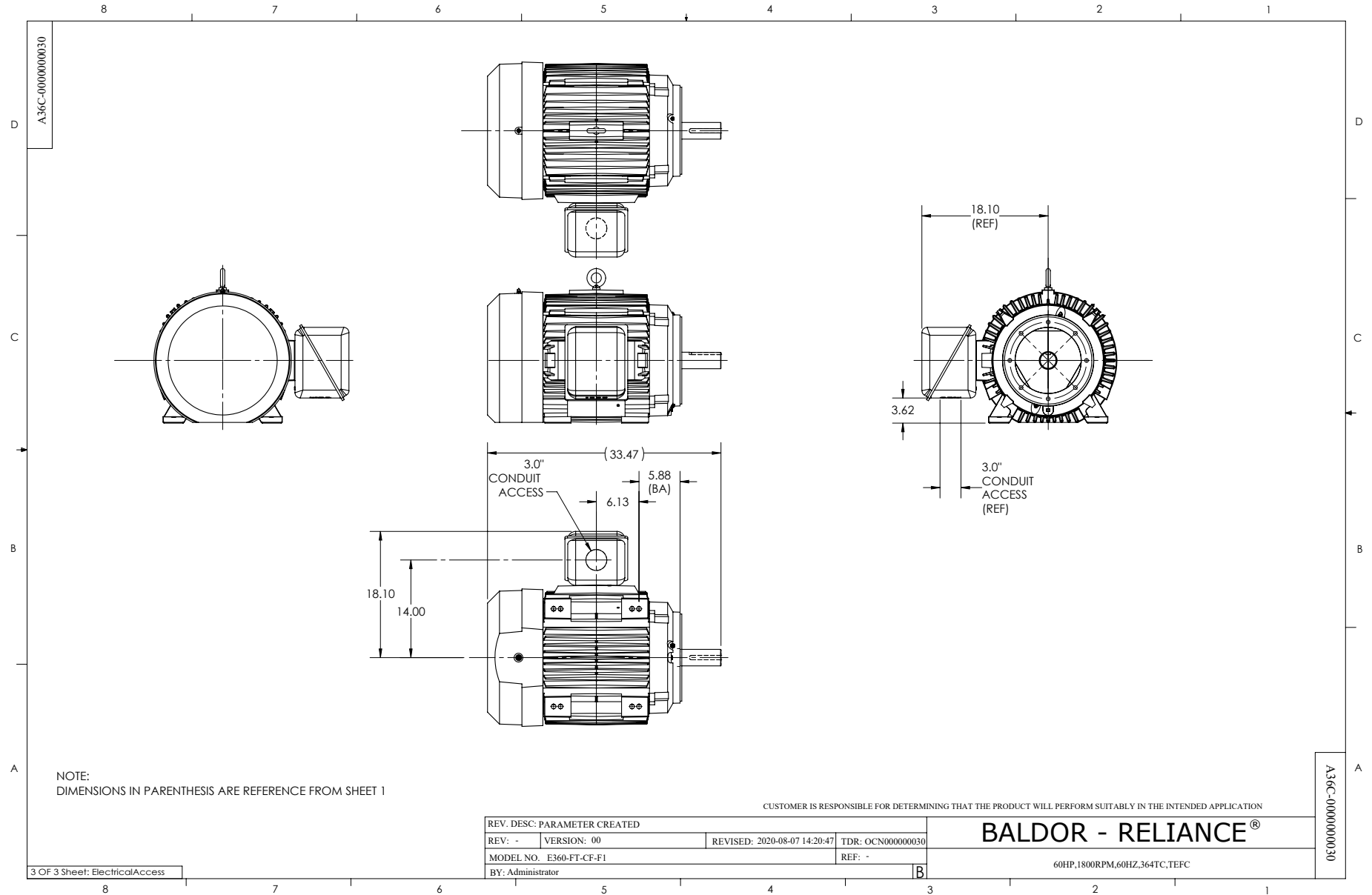
TORQUES (LB-FT): PO=422 PU=276 LR=352 LRA=462



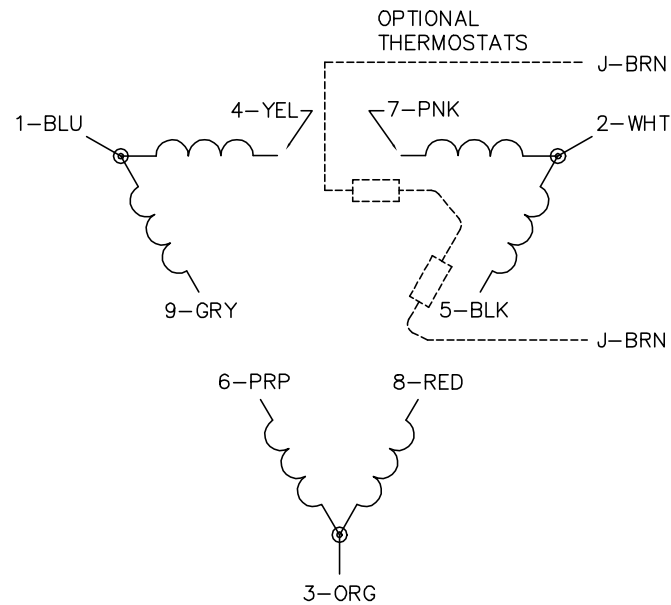
1/19/2021 ACPERF, record # 72794



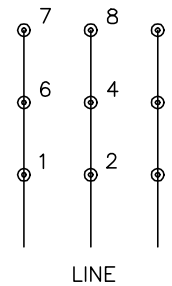




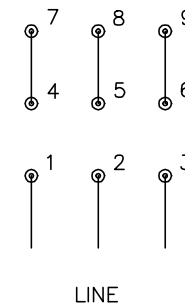
CD0180



LOW VOLTAGE
(2D)



HIGH VOLTAGE
(1D)



NOTES:

1. INTERCHANGE ANY TWO LINE LEADS TO REVERSE ROTATION.
2. OPTIONAL THERMOSTATS ARE PROVIDED WHEN SPECIFIED.
3. ACTUAL NUMBER OF INTERNAL PARALLEL CIRCUITS MAY BE A MULTIPLE OF THOSE SHOWN ABOVE.
4. LEAD COLORS ARE OPTIONAL. LEADS MUST ALWAYS BE NUMBERED AS SHOWN.

CD0180

REV. DESC: ADD CLASS CONN00000007		
REV. LTR: D	VERSION: 01	TDR: 000001099922
FILE: \AAA\00005\148	REVISED: 10: 25: 29 02/19/2019	BY: ENBRIRO
MTL: -	© □	

BALDOR - RELIANCE®

3PH, DV, 9 LEADS, DELTA CONNECTION

SH 1 of 1