

**BALDOR • RELIANCE**

---

# Customer information packet

## CEM4313T

75HP, 3600RPM, 60HZ, 365TSC, TEFC  
ELECTRIC MOTOR WHOLESALE.COM

## Specifications

**BASIC CONFIGURATION**

Product Family	General Purpose, 3Ph, Enclosed
HP Rating	75
Frequency (HZ)	60
Voltage	230/460
Division	None
Temp Code	None
Enclosure	TEFC
CT Turn Down	4:1
VT Turn Down	20:1
Inverter	Yes
Efficiency	Premium Eff. (NEMA 12-12)
Duty	Cont
Design Letter	B
Frame Material	Cast Iron

**ELECTRICAL**

Tropicalized Protection	No
Starting Method	Standard Start
Motor Space Heater	No

**BEARINGS**

Bearing Type DE	Ball
Bearing Type ODE	Ball
Grease Fittings Rqd	Yes

**PACKAGING**

Pallet Type	Standard
Packaging Type	Standard Packing

**MECHANICAL**

## Part detail

Revision	-
Type	AC
Mech. spec.	
Base	
Status	PRD/A
Elec. spec.	A36WG0107-DES
Layout	A36C-0000000033
Eff. date	08-07-2020
CD Diagram	416820-002
Poles	02
Leads	3#4,6#6
Proprietary	False
Created date	08-07-2020

<b>Balance</b>	Standard (0.15 in/sec)
<b>Fan Material</b>	Standard
<b>Fan Housing Material</b>	Steel
<b>Ingress Protection</b>	IP54
<b>Drip Cover Required</b>	No
<b>Paint System</b>	Standard (C2)
<b>Paint Color</b>	Gold
<b>Shaft Grounding</b>	None
<b>Frame Grounding Required</b>	Yes
<b>Auto Drain Type</b>	"T" Drain – Plastic

**CONDUIT BOX**

<b>Main Conduit Box Location</b>	Standard (side)
<b>Main Conduit Box Material</b>	Steel
<b>Main Conduit Box Size</b>	Standard Oversize
<b>Lead Entry Location</b>	Toward Feet - Down
<b>Terminal Blocks - Main Leads</b>	No
<b>Auxiliary Conduit Box 1 Loc</b>	None
<b>Auxiliary Conduit Box 2 Loc</b>	None

**MONITORING DEVICES**

<b>Winding Thermistor</b>	No
<b>Winding Thermostat</b>	No

**MOUNTING**

<b>Mounting Flange - DE</b>	C-Face
<b>Mounting Flange - ODE</b>	None
<b>Mounting Position</b>	F-1
<b>Frame Mounting</b>	Foot
<b>Foot Planarity</b>	None
<b>Drive Method</b>	Coupled
<b>Vertical Lifting Required</b>	No
<b>Shaft Extension</b>	TSC

**NAMEPLATE / LABELS**

<b>Auxiliary Nameplate Required</b>	No
<b>Nameplate Data Type</b>	Etched
<b>Label CSA</b>	Yes
<b>Label CE</b>	N/A
<b>Label UR</b>	Yes

**Nameplate**

**NP3979LUA**

<b>CAT #</b>	CEM4313T		<b>SER</b>			<b>CC</b>	010A						
<b>SPEC</b>	A36C-0000000033		<b>RATING</b>	40C AMB-CONT									
<b>HZ</b>	<b>VOLTS</b>		<b>AMPS</b>		<b>RPM</b>	<b>HP</b>	<b>CODE</b>	<b>SF</b>	<b>DES</b>	<b>PF</b>	<b>NEMA NOM. EFF</b>		
60	230/460		161/80.7		3555	75	F	1.15	B	92 %	94.5 %		
										%	%		
<b>PH</b>	3	<b>CL</b>	F	<b>MAX CORR KVAR</b>	5.00	<b>USABLE AT 208V</b>		177	<b>A</b>				
<b>BRG</b>	<b>DE</b>	6313	<b>ODE</b>	6313	<b>ENCL</b>	TEFC	<b>FR</b>	365TSC	<b>IP54</b>				
<b>GREASE</b>	POLYREX EM					<b>MTR WT</b>	947		<b>LBS</b>				
<b>USABLE AT</b>	50HZ 60HP 190/380V 156/78A					<b>SF1.0</b>							
<b>INVERTER DUTY</b>	<b>CT</b>	15-60	<b>HZ</b>	4:1	<b>VT</b>	3-60	<b>HZ</b>	20:1	<b>CHP</b>	60-90	<b>HZ</b>	1.5:1	<b>1.0 SF VPWM</b>
<b>MAX RPM</b>	5400												

## Parts list

Part number	Description	Quantity
A36WS0107F00	A36WG0107 WOUND STATOR CLASS F	1.000 ea
033050001C	IBOLT - 360	1.000 ea
085918051A	FRME 360 085918020WCB KB	1.000 ea
403783000AE	PIN 3/8"X2"L	1.000 ea
004824018L	RTV 732 CLEAR 10.1 OZTUBE	0.002 lb
A36WG0107-ROTOR	ROTOR CONFIG	1.000 ea
034180012DA	KEY 1X4X1/4X1-1/2 L	1.000 ea
034180016GA	KEY 1/2X1/2X2 L	1.000 ea
609142118RA	SHFT CL1 3.25X30.21 KB	1.000 ea
603298012A	CAP,LOCKING,313 BRG - 603298011WCA	1.000 ea
603298012B	CAP,NON-LOCKING,313 BRG 603298011WCA	1.000 ea
416821003FP	6313 C3 - - STL ABEC1 S SLUSH	1.000 ea
416821003FP	6313 C3 - - STL ABEC1 S SLUSH	1.000 ea
034600001AA	BUSH 1/4TO1/8 BLACK	1.000 ea
418150003A	GREASE FITTING CAP	1.000 ea
035000001A	ALFTG 1/8" 1610-BL	1.000 ea
035000001G	GREASE RELIEF FITTING, ALEMITE 317400	1.000 ea
HA4054	SHORT T-DRAIN FITTING, .125" N.P.T.	1.000 ea
415045002E	SLGR	1.000 ea
085922070W	BRKT 360 085922069WCA	1.000 ea
032018012DK	HHCS 1/2-13X1-1/2 PLTD. 032018012DR	4.000 ea
032018024CK	HHCS 3/8-16X3 PLTD.	3.000 ea
032018012DK	HHCS 1/2-13X1-1/2 PLTD. 032018012DR	4.000 ea
034600001AA	BUSH 1/4TO1/8 BLACK	1.000 ea
035000001G	GREASE RELIEF FITTING, ALEMITE 317400	1.000 ea
085922073B	BRKT 360 085922072WCC KB	1.000 ea
415045002E	SLGR	1.000 ea
418150003A	GREASE FITTING CAP	1.000 ea
034530052AB	P/NIP 1/8X6-1/2 GALV.	1.000 ea
HA4054	SHORT T-DRAIN FITTING, .125" N.P.T.	1.000 ea
415096002A	CPLG 1/8 HEX TYPE	1.000 ea

035000001A	ALFTG 1/8" 1610-BL	1.000 ea
032018024CK	HHCS 3/8-16X3 PLTD.	3.000 ea
032018008AK	HHCS 1/4-20X1 PLATED	4.000 ea
078559034A	+F/C A 078559001A - 360	1.000 ea
406099000A	PLUG - FAN COVER 320-440	1.000 ea
415072001B	CLAMP	1.000 ea
702675001C	FAN 360	1.000 ea
033512004LB	HHTTS 1/4-20X1/2 PLTD.	1.000 ea
415000103D	T/LUG #4AWG-1/0AWG W/HOLE FOR .250 BOLT	1.000 ea
077176000L	C/BOX, PAINTED 440	1.000 ea
077176001A	CBOXC, PAINTED 360-400	1.000 ea
043292000AJ	GASK 320-400	1.000 ea
402731001A	GASK 360-440	1.000 ea
032018008CK	HHCS 3/8-16X1L PLATED	4.000 ea
032018005AK	HHCS 1/4-20X5/8 PLATED	4.000 ea
MG1025Y17	WILKOFAS T, 789.701, SUPER E PEARL GOLD	0.250 ga
004824003CBY	WILKO PAINT 060.02 - ACTIVATOR	0.063 ga
482403003BEF	RUST VETO 342	0.002 ga
482403003BEF	RUST VETO 342	0.002 ga
LC0181	CONNECTION LABEL	1.000 ea
000692000FP	NP, WARNING LIFT INSTRUCTIONS	1.000 ea
033775004EA	DRSCR #6-1/4 304 S.S.	4.000 ea
000692000VD	LABEL WARNING	1.000 ea
MN416	TAG-INSTAL-MAINT w/wire. (1200/bx) 3/19	1.000 ea
14PA1000	PACKAGING 314 GROUP COMBINED PRINT	1.000 ea
032509020C	CARRIAGE BOLT - 360	3.000 ea
HW1000A32	5/16 FL WASHER WIDE, ID=.344, OD=1.125	3.000 ea
NP3979LUA	SS SUPER-E UR CSA-C-US-EEV NEMA PREM CC	1.000 ea
410700004F	WSHR	1.000 ea
004824015A	GREASE POLYREX EM	0.544 lb

**AC Induction Motor Performance Data**

Record # 76050

Typical performance - not guaranteed values

<b>Winding: A36WG0107-R001</b>		<b>Type: A3668M</b>		<b>Enclosure: TEFC</b>	
<b>Nameplate Data</b>			<b>460 V, 60 Hz: High Voltage Connection</b>		
Rated Output (HP)	75	Full Load Torque	111.4 LB-FT		
Volts	230/460	Start Configuration	direct on line		
Full Load Amps	161/80.7	Breakdown Torque	392 LB-FT		
R.P.M.	3555	Pull-up Torque	197 LB-FT		
Hz	60 Phase	3	Locked-rotor Torque	249 LB-FT	
NEMA Design Code	B KVA Code	G	Starting Current	526 A	
Service Factor (S.F.)	1.15	No-load Current	16.5 A		
NEMA Nom. Eff.	93.6 Power Factor	92	Line-line Res. @ 25°C	0.071793 Ω	
Rating - Duty	40C AMB-CONT	Temp. Rise @ Rated Load	74°C		
S.F. Amps		Temp. Rise @ S.F. Load	88°C		

**Load Characteristics 460 V, 60 Hz, 75 HP**

<b>% of Rated Load</b>	<b>25</b>	<b>50</b>	<b>75</b>	<b>100</b>	<b>125</b>	<b>150</b>	<b>S.F.</b>
Power Factor	1	1	1	1	1	1	1
Efficiency	91.3	94.3	94.9	94.7	94.3	93.6	94.5
Speed	3588.9	3578.5	3567.5	3555.4	3542.6	3528.2	3548
Line amperes	26.5	42.9	61.2	81.3	102	125	93.7



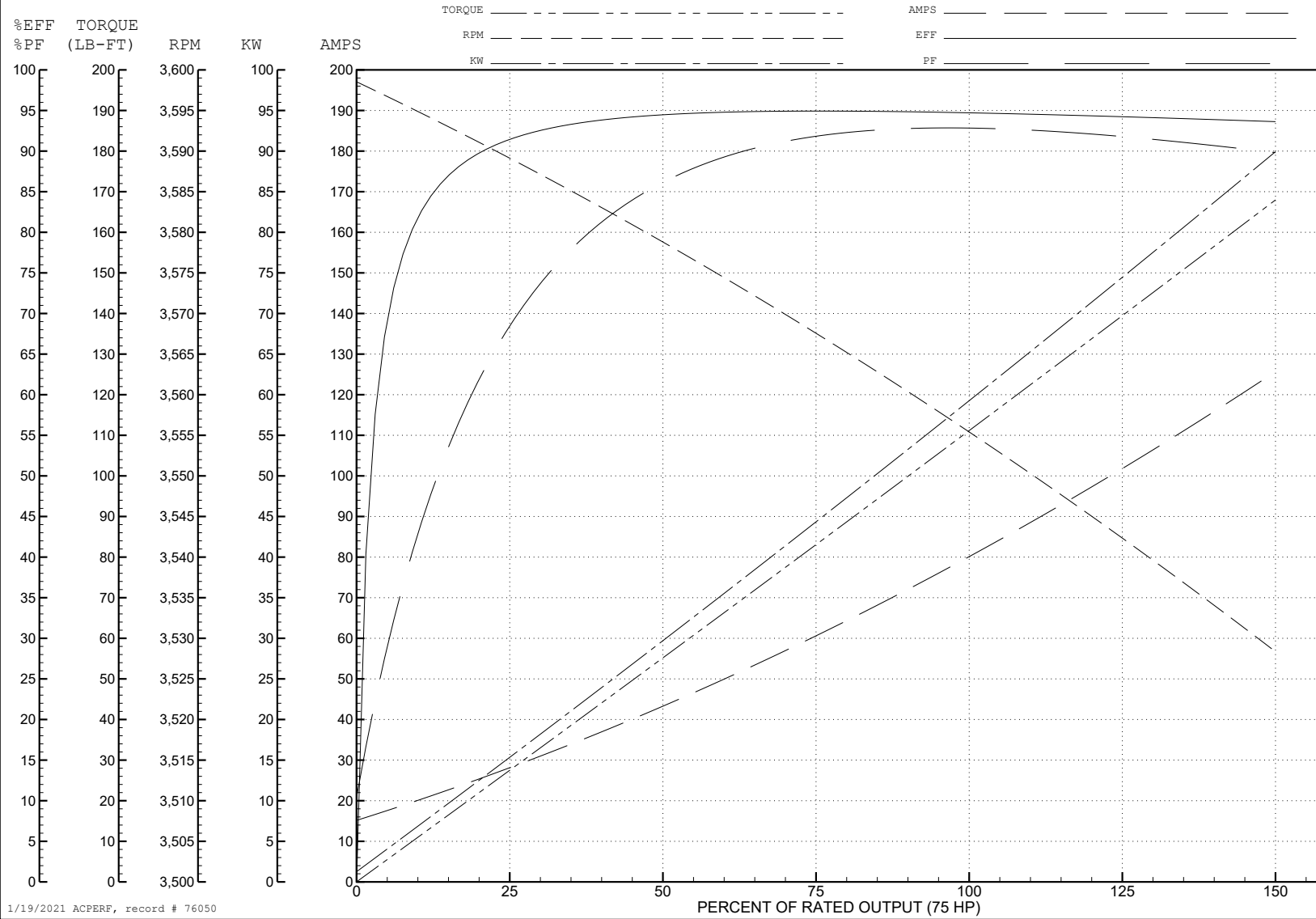
ABB Motors and Mechanical Inc.

WINDING # A36WG0107

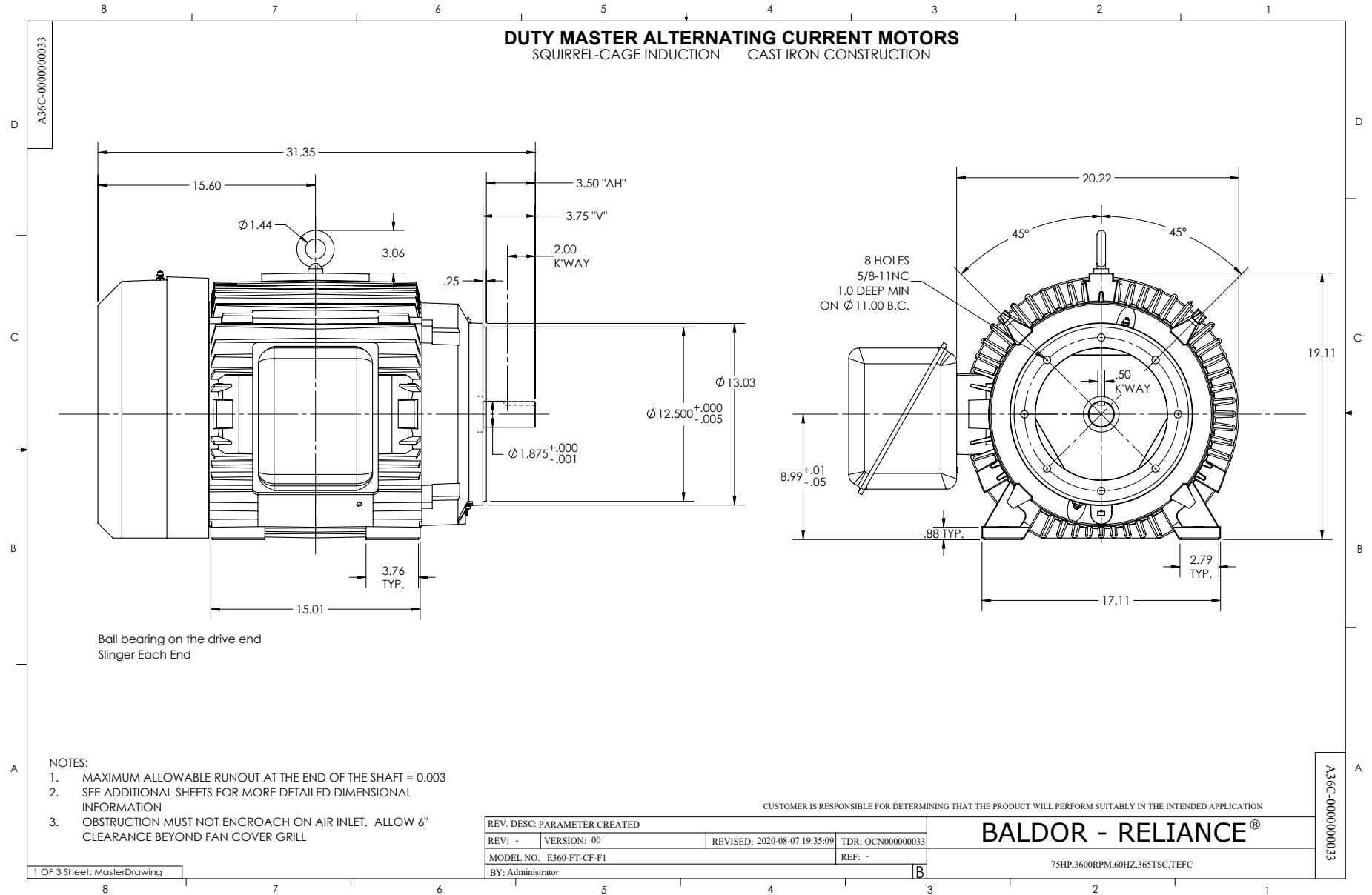
Typical performance - not guaranteed values.

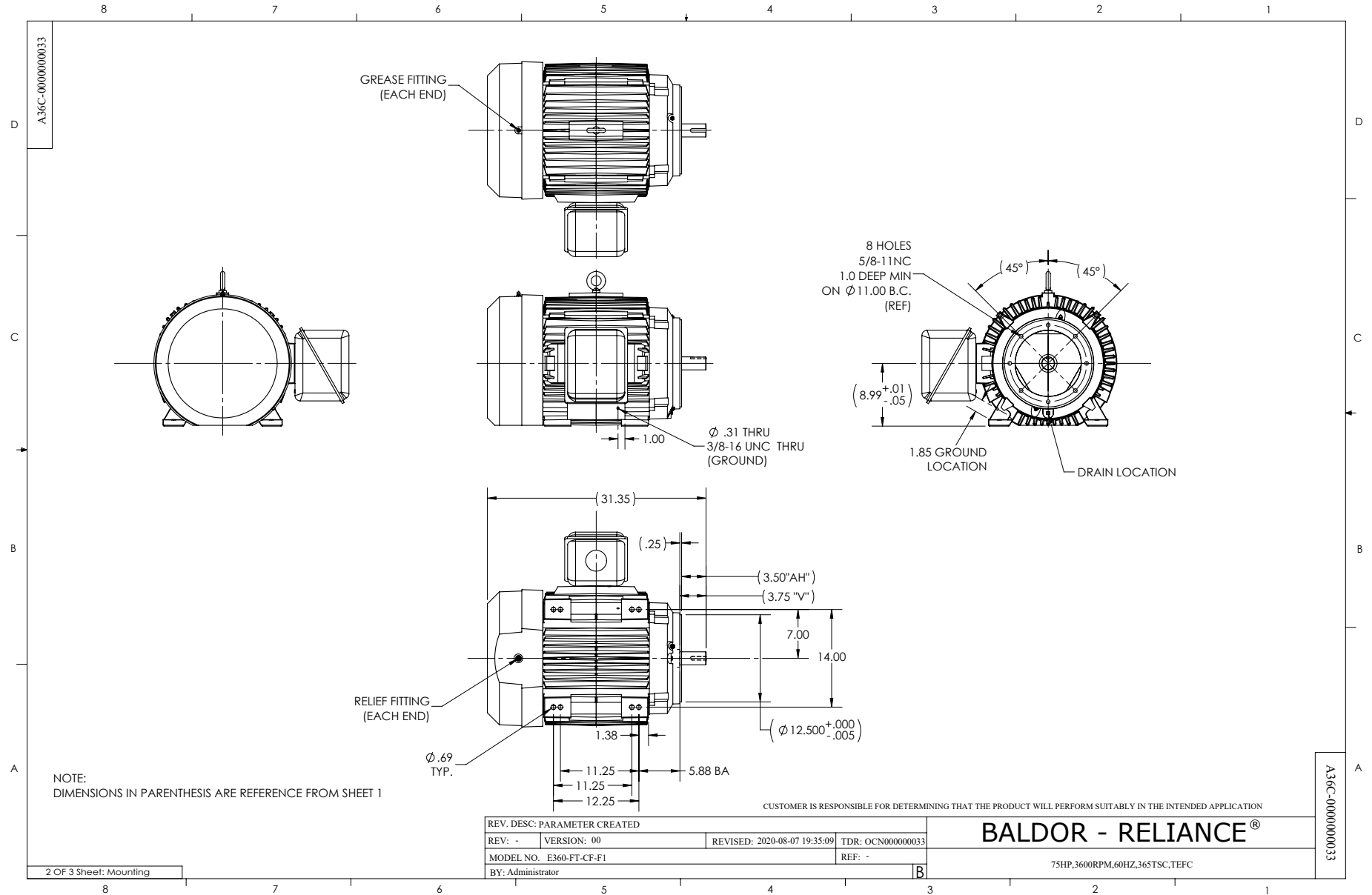
75 HP 3 PH 60 HZ 3555 RPM 460 V A3668M

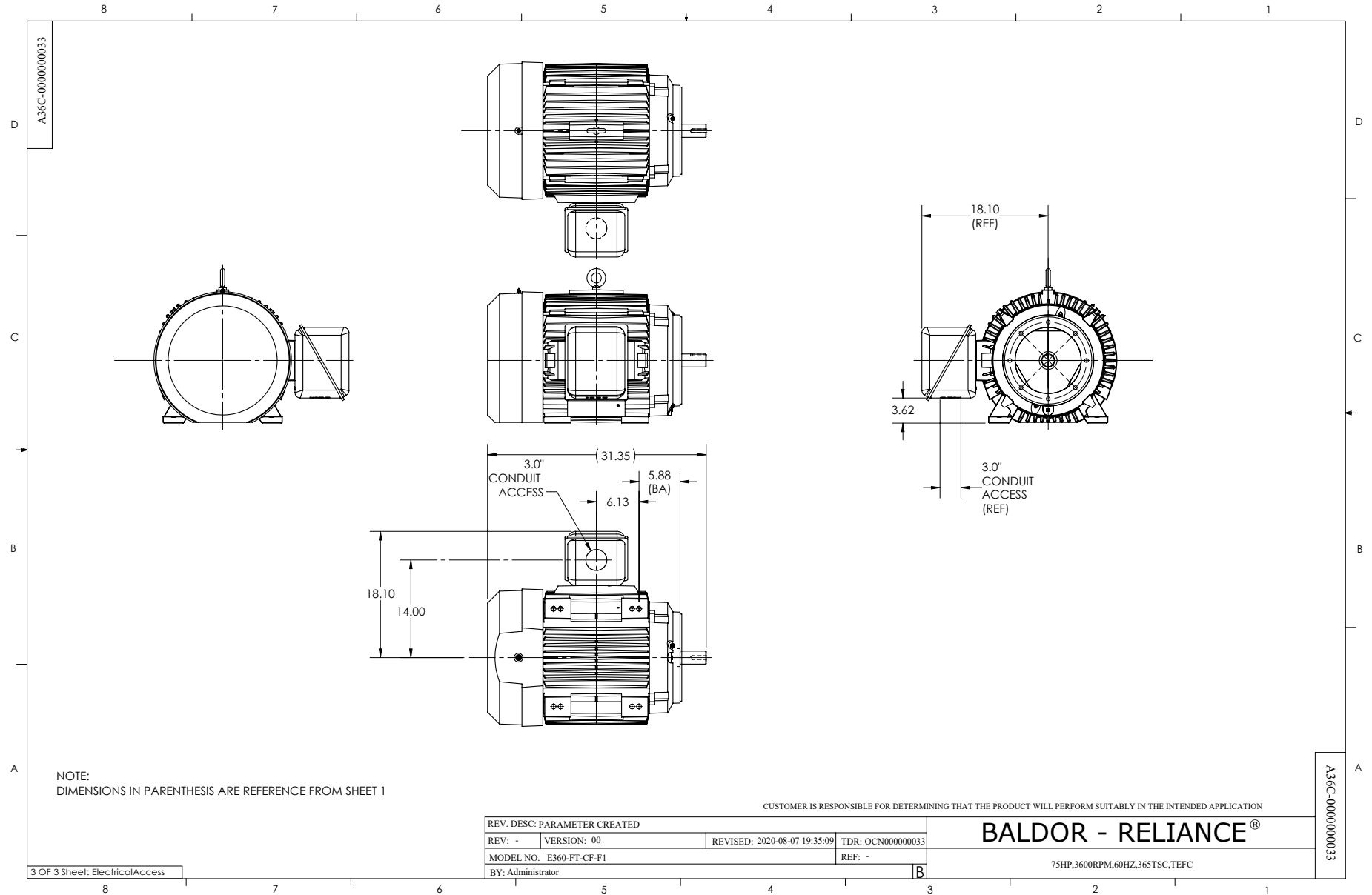
TORQUES (LB-FT): PO=392 PU=197 LR=249 LRA=526



1/19/2021 ACPERF, record # 76050

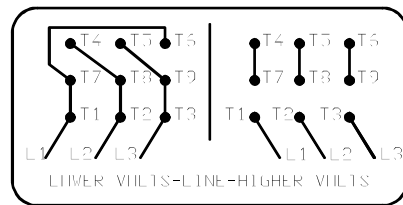
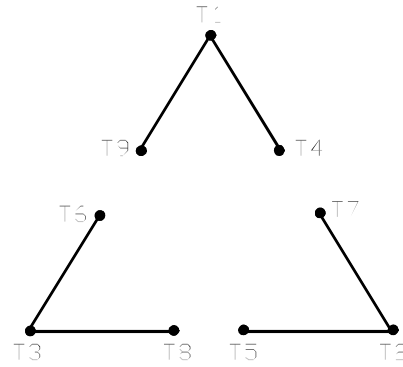






416820-002

A-C MOTOR  
 CONNECTION DIAGRAM  
 STANDARD 9 LEAD DELTA-CONNECTED



(N.P. 1575-B)

416820-002

REV. DESC: FONT CHANGE FOR PDF SEARCHABLE		
REV. LTR: A	VERSION: 01	TDR: 000001009382
FILE: \MGA\00000\661	REVISED: 02:46:19 02/13/2020	BY: MGHMTT
MTL: -		© □

**BALDOR - RELIANCE®**

CONN DIAG - STANDARD 9 LEAD, DELTA-CONNECTED

SH 1 of 1