



Customer information packet

CECP83774T-5

10HP, 1760RPM, 3PH, 60HZ, 215TC, 0748M, TEFC, F

Class - CLI GP A,B,C,D

Division - Division II

Specifications

Enclosure	TEFC
Frame	215TC
Frame Material	Iron
Frequency	60.00 Hz
Motor Letter Type	Three Phase
Output @ Frequency	10.000 HP @ 60 HZ
Phase	3
Synchronous Speed @ Frequency	1800 RPM @ 60 HZ
Voltage @ Frequency	575.0 V @ 60 HZ
XP Class and Group	CL I GP A,B,C,D
XP Division	Division II
Agency Approvals	CSA CSA EEV UR
Ambient Temperature	40 °C
Auxillary Box	No Auxillary Box
Auxillary Box Lead Termination	None
Base Indicator	Rigid
Bearing Grease Type	Polyrex EM (-20F +300F)
Blower	None
Constant Torque Speed Range	1.3
Current @ Voltage	9.800 A @ 575.0 V
Design Code	B
Drip Cover	No Drip Cover
Duty Rating	CONT
Efficiency @ 100% Load	91.7 %
Electrically Isolated Bearing	Not Electrically Isolated
Feedback Device	NO FEEDBACK
Front Face Code	Standard
Front Shaft Indicator	None
Heater Indicator	No Heater
High Voltage Full Load Amps	9.8 a

Part detail

Revision	AB
Type	AC
Mech. spec.	07M320
Base	
Status	PRD/A
Elec. spec.	07WGY729
Layout	07LYM320
Eff. date	08-04-2022
CD Diagram	CD0006
Poles	04
Leads	3#14
Proprietary	False
Created date	08-21-2012

Insulation Class	F
Inverter Code	Inverter Duty
KVA Code	H
Lifting Lugs	Standard Lifting Lugs
Locked Bearing Indicator	Locked Bearing
Max Speed	2700 rpm
Motor Lead Exit	Ko Box
Motor Lead Quantity/Wire Size	3 @ 14 AWG
Motor Lead Termination	Flying Leads
Motor Standards	NEMA
Motor Type	0748M
Mounting Arrangement	F1
Number of Poles	4
Overall Length	20.23 IN
Power Factor	83
Product Family	Chem Process S/P 32-8 IEEE 841
Pulley End Bearing Type	Ball
Pulley Face Code	C-Face
Pulley Shaft Indicator	Standard
Rodent Screen	None
Service Factor	1.15
Shaft Diameter	1.375 IN
Shaft Extension Location	Pulley End
Shaft Ground Indicator	No Shaft Grounding
Shaft Rotation	Reversible
Shaft Slinger Indicator	Shaft Slinger
Speed	1760 rpm
Speed Code	Single Speed
Starting Method	Direct on line
Thermal Device - Bearing	None
Thermal Device - Winding	None
Vibration Sensor Indicator	No Vibration Sensor
Winding Thermal 1	None
Winding Thermal 2	None

XP Temp Code

T3C

Nameplate

NP4328E									
CAT.NO.	CECP83774T-5								
SPEC.	07M320Y729G1								
HP	10 TE		IP	56					
VOLTS	575								
AMPS	9.8								
R.P.M.	1760								
FRAME	215TC		HZ	60		PH	3		
SER.F.	1.15	CODE	H	DES.	B	CLASS	F		
RATING	40C AMB-CONT								
SN									
DE	6307	ODE	6307						
NEMA NOM. EFF.	91.7	P.F.	83						
GUAR. MIN. EFF.	90.2	CC	010A						
T. CODE	T3C	TEMP=	160						

NP3186E

SPEC.	07M320Y729G1		
ABMA DE BRG	35BC03X30X		
ABMA ODE BRG	35BC03X30X		
GREASE	POLYREX EM		
MOTOR WEIGHT	231	ROTOR BARS	28
		STATOR BARS	36
MAX. R.P.M.	2700	MAX. KVAR	1.5
INV.TYPE	PWM		
T=	160		
CHP	60	TO	90
CT	1.3	TO	60
VT	0-	TO	60
HTR-VOLTS	N/A	HTR-AMPS	N/A
HTR-WATTS		MAX. SPACE HEATER TEMP.	N/A

AC Induction Motor Performance Data

Record # 92589

Typical performance - not guaranteed values

Winding: 07WGY729-R027		Type: 0748M	Enclosure: TEFC
Nameplate Data		575 V, 60 Hz: Single Voltage Motor	
Rated Output (HP)	10	Full Load Torque	29.8 LB-FT
Volts	575	Start Configuration	direct on line
Full Load Amps	9.8	Breakdown Torque	82.6 LB-FT
R.P.M.	1760	Pull-up Torque	41.2 LB-FT
Hz	60 Phase	Locked-rotor Torque	53.9 LB-FT
NEMA Design Code	B KVA Code	Starting Current	64.8 A
Service Factor (S.F.)	1.15	No-load Current	3.65 A
NEMA Nom. Eff.	91.7 Power Factor	Line-line Res. @ 25°C	1.68 Ω
Rating - Duty	40C AMB-CONT	Temp. Rise @ Rated Load	64°C
S.F. Amps		Temp. Rise @ S.F. Load	81°C
		Locked-rotor Power Factor	35.4
		Rotor inertia	1.18 lb-ft ²

Load Characteristics 575 V, 60 Hz, 10 HP

% of Rated Load	25	50	75	100	125	150	S.F.
Power Factor	49	70	79	83	85	84	84
Efficiency	90.1	92.1	92.7	91.7	90.9	89.1	91.5
Speed	1791	1782	1774	1764	1752	1738	1757
Line amperes	4.28	5.74	7.6	9.79	12.2	15	11.2

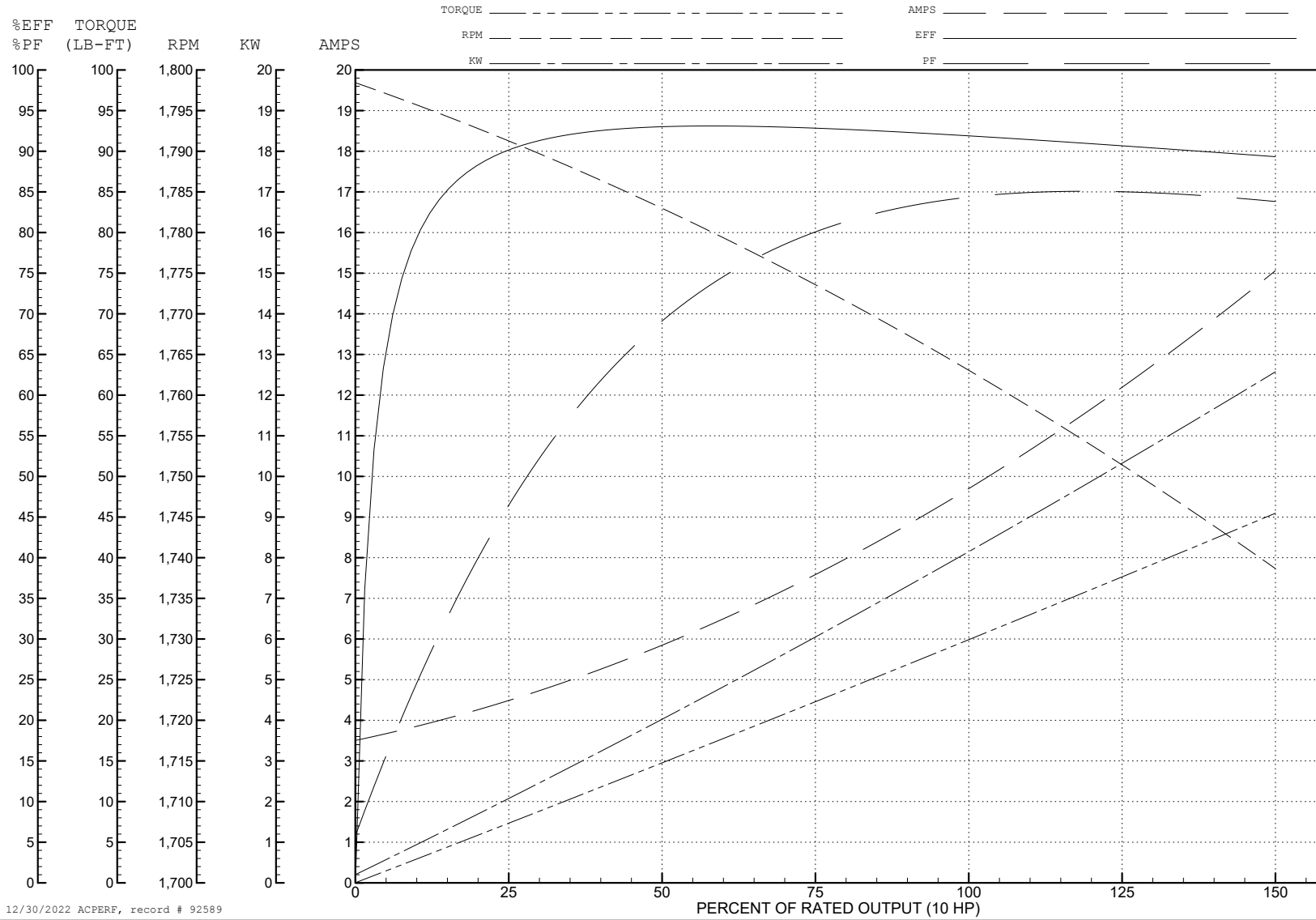
ABB Motors and Mechanical Inc.

WINDING # 07WGY729

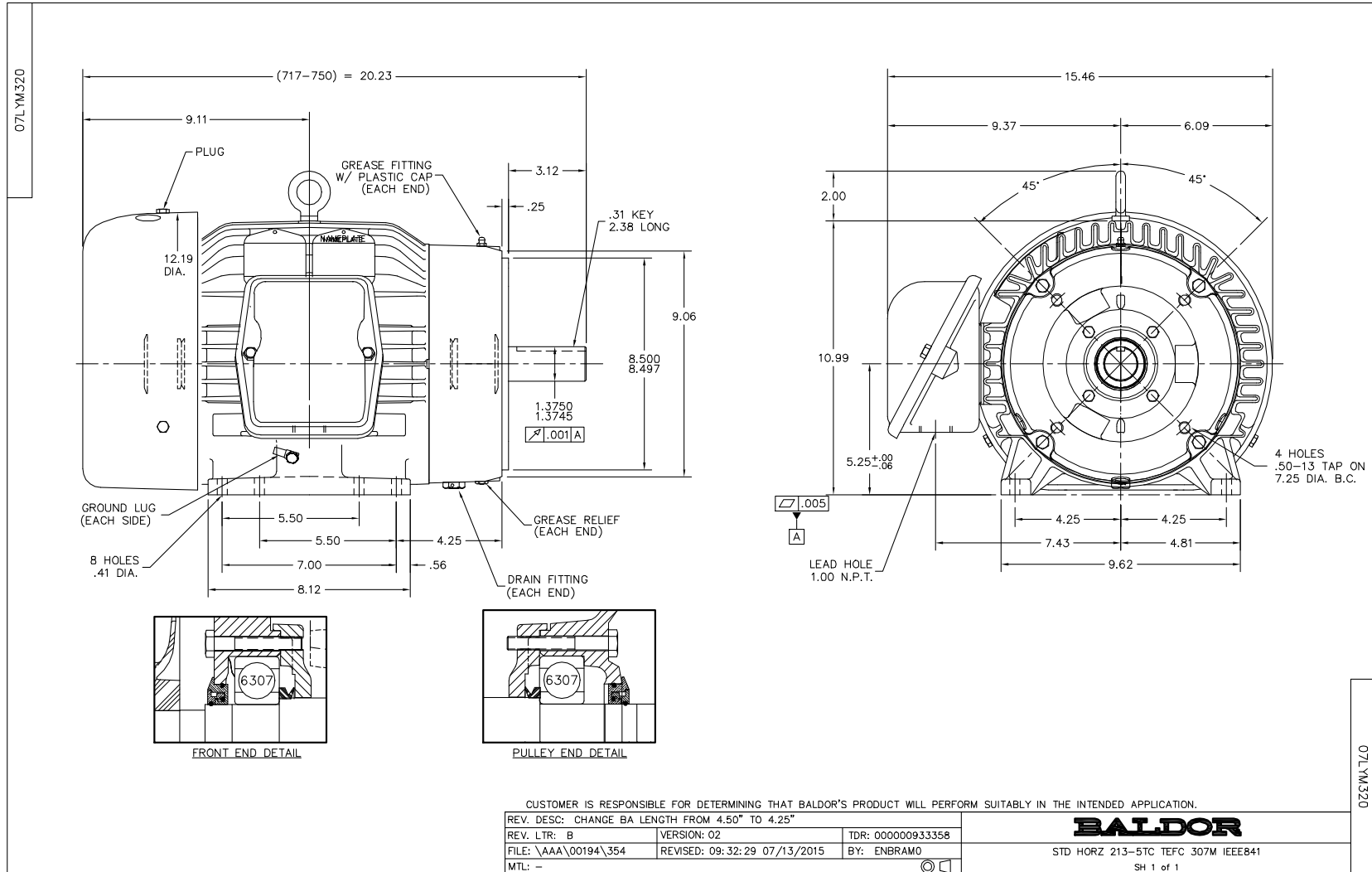
Typical performance - not guaranteed values.

10 HP 3 PH 60 HZ 1760 RPM 575 V 0748M

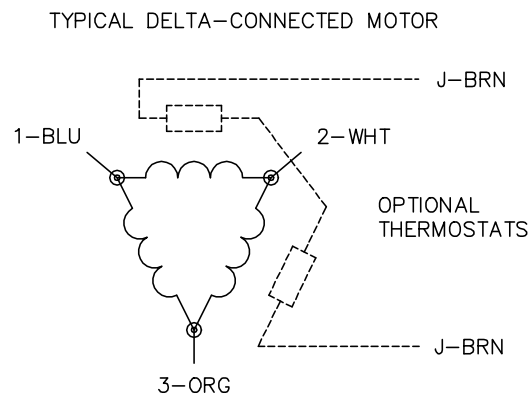
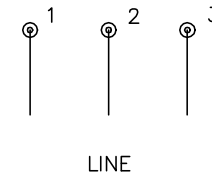
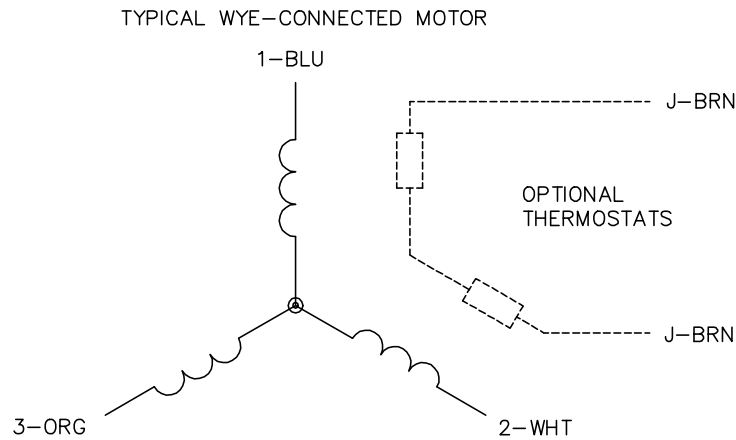
TORQUES (LB-FT): PO=82.6 PU=41.2 LR=53.9 LRA=64.8



12/30/2022 ACPERF, record # 92589



CD0006



NOTES:

1. THREE LEAD MOTOR MAY BE EITHER WYE CONNECTED OR DELTA CONNECTED.
2. INTERCHANGE ANY TWO LINE LEADS TO REVERSE ROTATION.
3. OPTIONAL THERMOSTATS ARE PROVIDED WHEN SPECIFIED.
4. ACTUAL NUMBER OF INTERNAL PARALLEL CIRCUITS MAY VARY.
5. LEAD COLORS ARE OPTIONAL. LEADS MUST BE NUMBERED AS SHOWN.

CD0006

REV. DESC: ADD CLASS CONN00000007		
REV. LTR: E	VERSION: 01	TDR: 000001099922
FILE: \AAA\00005\141	REVISED: 10:24:49 02/19/2019	BY: ENBRIRO
MTL: -	© □	

BALDOR - RELIANCE®

3PH, SV, 3 LEADS, WYE OR DELTA CONNECTED

SH 1 of 1