

BALDOR® • RELIANCE®

Customer information packet

CDP3460

1HP, 2500RPM, DC, 56C, 3428P, TEFC, F1

ELECTRIC MOTOR WHOLESALE.COM

Class - None

Division -

Specifications

Armature Voltage	180 V
Base Speed	2400 rpm
Enclosure	TEFC
Frame	56C
Frame Material	Steel
Output Power	1.000 HP
XP Class and Group	None
Agency Approvals	CE CSA UR
Ambient Temperature	40 °C
Armature Current	4.9 a
Armature Inertia	10.926 lb-ft ²
Base Indicator	Rigid
Bearing Grease Type	Polyrex EM (-20F +300F)
Drip Cover	No Drip Cover
Duty Rating	CONT
Feedback Device	NO FEEDBACK
Heater Indicator	No Heater
Lifting Lugs	No Lifting Lugs
Motor Lead Exit	Ko Box
Motor Lead Quantity/Wire Size	2 @ 14 AWG
Motor Lead Termination	Flying Leads
Motor Standards	NEMA
Mounting Arrangement	F1
Overall Length	14.59 IN
Product Family	General Purpose
Pulley End Bearing Type	Sealed Bearing
Service Factor	1.00
Shaft Diameter	0.625 IN
Shaft Extension Location	Pulley End
Shaft Ground Indicator	No Shaft Grounding

Part detail

Revision	AA
Type	DC
Mech. spec.	34-5990
Base	
Status	PRD/A
Elec. spec.	34WG4103
Layout	34LY5990
Eff. date	03-24-2022
CD Diagram	CD0194
Poles	00
Leads	
Proprietary	False
Created date	01-01-0001

Shaft Rotation

Reversible

Shaft Slinger Indicator

Shaft Slinger

Nameplate

NP0891L				
CAT.NO.	CDP3460			
SPEC.	34-5990-4103			
HP	1/.75KW	ENCL	TEFC	
RPM	2500 1/MIN IC411 17KG			
FRAME	56C	TYPE	3428P	
ARM V	180	ARM A	4.85	
FLD V		FLD A		
INSUL	F	AMB.	40	
DUTY	CONT	SUPPLY	1.5	
BRG/DE	6203	BRG/ODE	6203	
BRUSHES	2/BP5000AW14			
		BLANK	IP44	
SER.				
BLANK				
APRV-CE	Y	APRV-CSA	Y	APRV-UL Y

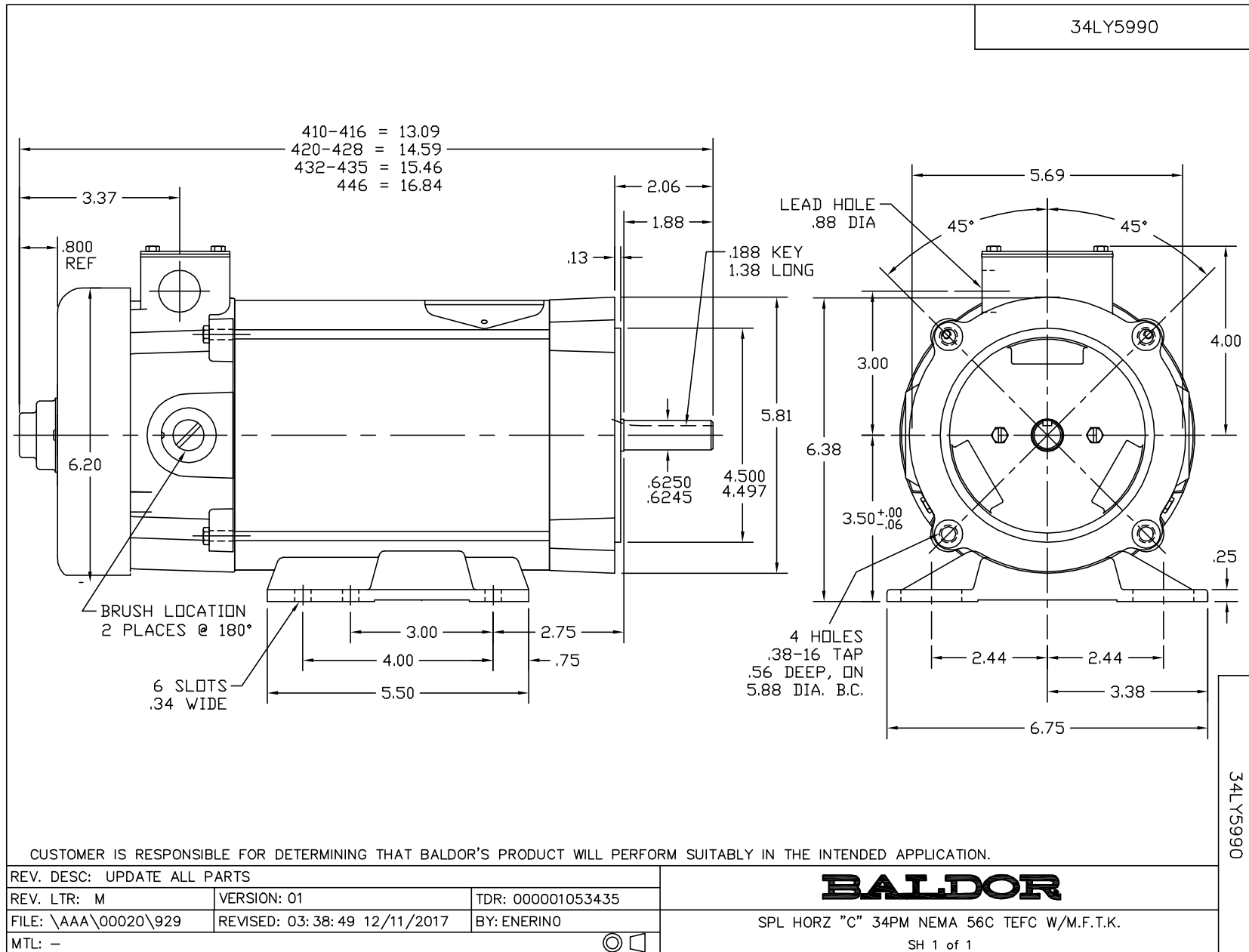
Parts list

Part number	Description	Quantity
SA005246	SA 34-5990-4103	1.000 ea
AA002895	AA 34-5990-4103	1.000 ea
BP5000AW14SP	CARBON BRUSH - 33P, 180 VOLTS	1.000 ea
HA3210B66	.125 DIA X .281 (AUTO)	2.000 ea
11XW1032G06	10-32 X .38, TAPTITE II, HEX WSHR SLTD U	1.000 ea
34EP3103B01	FR ENDPLATE, MACH	1.000 ea
WD4100A109	PLUG STIMPSON D3550	1.000 ea
HW5100A03	WAVY WASHER (W1543-017)	1.000 ea
34EP3300A29	PU ENDPLATE, MACH	1.000 ea
51XN1032A20	10-32 X 1 1/4 HX WS SL SR	2.000 ea
BP5201A11SP	BRUSH HOLDER ASSY W/BP4511A01 & BP3000A0	1.000 ea
80XN1032A03	10-32 X 3/16 SET SCREW	2.000 ea
34FN3002A01SP	EXTERNAL FAN, PLASTIC, .637/.639 HUB W/	1.000 ea
34FH5002A01SP	FAN COVER ASSY W/SHAFT COVER	1.000 ea
51XW1032A06	10-32 X .38, TAPTITE II, HEX WSHR SLTD S	3.000 ea
WD4102A01	SR-6L-1 HEYCO STRN RELIEF OR 23MPO6L10 M	1.000 ea
34CB4504SP	CONDUIT BOX LID, STAMPED	1.000 ea
34GS1011SP	GASKET, CONDUIT BOX LID	1.000 ea
51XW0832A07	8-32 X .44, TAPTITE II, HEX WSHR SLTD SE	2.000 ea
HW2501D13	KEY, 3/16 SQ X 1.375	1.000 ea
HA7000A04	KEY RETAINER 0.625 DIA SHAFTS	1.000 ea
HW3001B02	BRASS CUP WASHER W/GROUND SYMBOL TAB,	1.000 ea
MG1000G27	MED CHARCOAL METALLIC GREY 400-0096	0.014 ga
MJ5004A70	603 LOCTITE LOCC	0.001 ea
85XU0407S04	4X1/4 U DRIVE PIN STAINLESS	2.000 ea
ML14A1B14	14 AWG,A1,BLACK	8.500 in
ML14A2B14	14 AWG,A2,BLACK	8.500 in
HA3100A47	THRUBOLT 10-32 X 7.625	4.000 ea
MN416A01	TAG-INSTAL-MAINT no wire (2200bx) 4/22	1.000 ea
LB1119N	WARNING LABEL	1.000 ea
LC0194	CONNECTION LABEL	1.000 ea

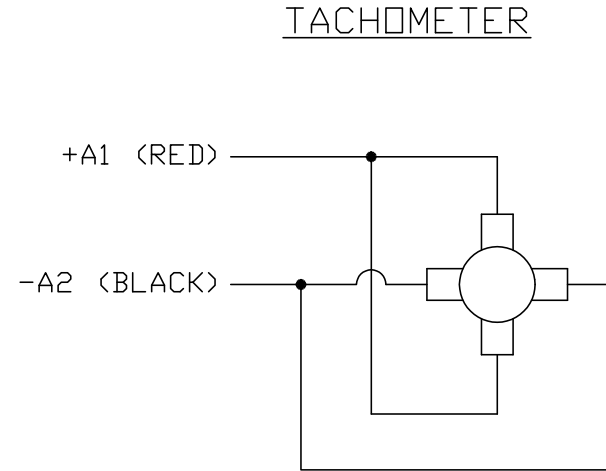
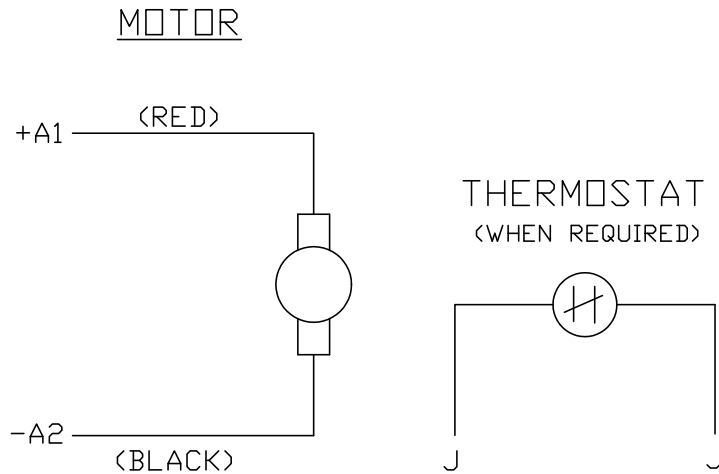
NP0891L	NP STD LASER ENGRAVED DC MTRS, UL CSA CE	1.000 ea
27PA1001	PKG GRP, PRINT PK1027A06	1.000 ea

Accessories

Part number	Description	Multiplier
TK3400	TACHO MOUNTING KIT FOR TK3400	A8
TK3400-HPU	HPU10 MOUNTING KIT 34P/35P TEFC	A8



CD0194



NOTES:

1. CCW ROTATION AS SHOWN FACING COMMUTATOR END. TO REVERSE MOTOR ROTATION OR TACHOMETER OUTPUT POLARITY INTERCHANGE LEADS A1(RED) & A2(BLACK)
2. LEAD COLORS FOR REFERENCE ONLY & NOT SPECIFIED BY THIS DRAWING. LEAD COLORS SPECIFIED BY LAYOUT DRAWING & BILL OF MATERIAL ONLY.

MATL: -			
REV: E	ADDED NOTE "LEAD COLORS FOR REFERENCE ONLY &..."		
761000 CD0194	SCALE: -	BY: CK	REVISED: 07/28/95
	FILE: AAA00004503	TDR: 0078737	

BALDOR ELECTRIC Co.

CD TYPE P DC PERMANENT MAGNET MOTORS AND TACHOMETERS

CD0194