

BALDOR® • RELIANCE®

Customer information packet

CDP3326

0.5HP, RPM, DC, 56C, 3336P, TENV, F1, N
ELECTRIC MOTOR WHOLESALE.COM

Specifications

Armature Voltage	180 V
Base Speed	1750 rpm
Enclosure	TENV
Frame	56C
Frame Material	Steel
Output Power	0.500 HP
Agency Approvals	CE CSA UR
Ambient Temperature	40 °C
Armature Current	2.5 a
Armature Inertia	8.424 lb-ft ²
Base Indicator	Rigid
Bearing Grease Type	Polyrex EM (-20F +300F)
Drip Cover	No Drip Cover
Duty Rating	CONT
Feedback Device	NO FEEDBACK
Heater Indicator	No Heater
Lifting Lugs	No Lifting Lugs
Motor Lead Exit	Ko Box
Motor Lead Quantity/Wire Size	2 @ 18 AWG, A
Motor Lead Termination	Flying Leads
Motor Standards	NEMA
Mounting Arrangement	F1
Overall Length	14.94 IN
Product Family	General Purpose
Pulley End Bearing Type	Sealed Bearing
RoHS Status	ROHS COMPLIANT
Service Factor	1.00
Shaft Diameter	0.625 IN
Shaft Extension Location	Pulley End
Shaft Ground Indicator	No Shaft Grounding

Part detail

Revision	AD
Type	DC
Mech. spec.	33-2051
Base	
Status	PRD/A
Elec. spec.	33WGZ139
Layout	33LY2051
Eff. date	09-13-2021
CD Diagram	CD0194
Poles	00
Leads	2#18 A Y
Proprietary	False
Created date	01-01-0001

Shaft Rotation

Reversible

Shaft Slinger Indicator

No Slinger

Nameplate

NP0891L					
CAT.NO.	CDP3326				
SPEC.	33-2051Z139				
HP	.5/.37KW	ENCL	TENV		
RPM	1750 1/MIN				
FRAME	56C	TYPE	3336P		
ARM V	180	ARM A	2.5		
FLD V		FLD A			
INSUL	F	AMB.	40		
DUTY	S1 CONT	SUPPLY	1.3		
BRG/DE	6203	BRG/ODE	6203		
BRUSHES	2/BP5011CV01				
		BLANK			
SER.					
BLANK	IP44 IC410 14KG				
APRV-CE	Y	APRV-CSA	Y	APRV-UL	Y

Parts list

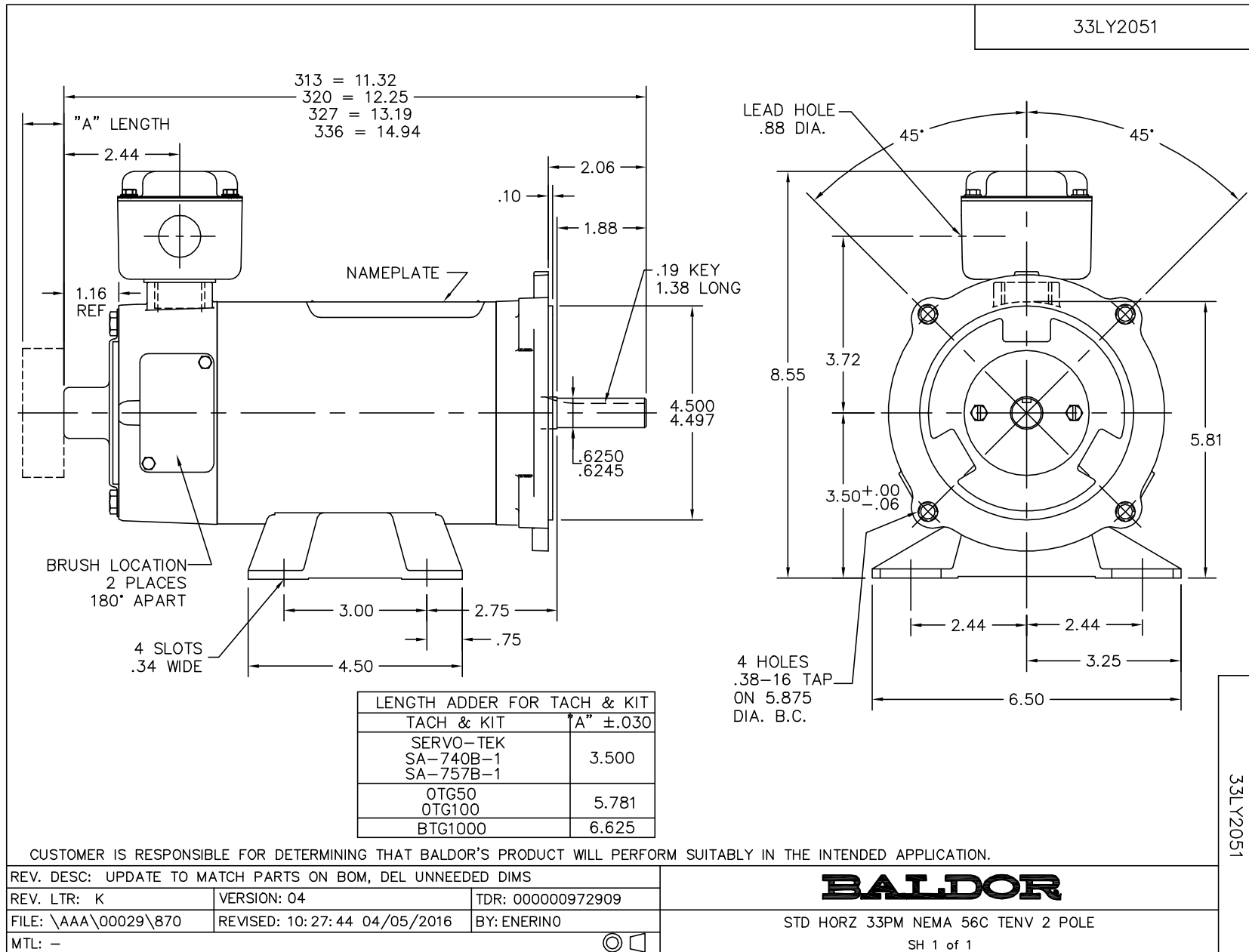
Part number	Description	Quantity
SA005043	SA 33-2051Z139	1.000 ea
AA002692	AA 33-2051Z139	1.000 ea
BP5011CV01SP	CARBON BRUSH - 33P, 180V	1.000 ea
BP5012A04SP	BRUSH SPRING FOR DC MOTORS	1.000 ea
33CB5000A03	33P BOX & LEAD ASSY	1.000 ea
33GS1006A01	GASKET CONDUIT BOX (LEXIDE)	1.000 ea
51XT0832A08	8-32 X 1/2 TY23 HXWS SLDSR	3.000 ea
51XW0832G07	8-32 X 7/16 TY23 HXWS SLDSR GR	1.000 ea
51XW0832A07	8-32 X .44, TAPTITE II, HEX WSHR SLTD SE	4.000 ea
33EP3101A04	FR ENDPLATE, MACH	1.000 ea
33CB4501A01SP	BRUSH INSPECTION COVER	2.000 ea
33GS1005A01	BRUSH INSP COVER GASKET, WHITE NON-CONDUCT	2.000 ea
51XW0832A07	8-32 X .44, TAPTITE II, HEX WSHR SLTD SE	4.000 ea
HW5100A03	WAVY WASHER (W1543-017)	1.000 ea
33EP3302A10	PU ENDPLATE, MACH	1.000 ea
51XN1032A20	10-32 X 1 1/4 HX WS SL SR	2.000 ea
HA6887	SHAFT PROTECTOR STAMPED STEEL 20 GA.	1.000 ea
10XN2520A06	1/4 20X3/8 HX HD CAP	2.000 ea
34CB4512	34 CB LID, GALVANNEAL STAMPED	1.000 ea
34GS1001	GASKET, STD CONDUIT BOX LID (LEXIDE)	1.000 ea
51XW0832A07	8-32 X .44, TAPTITE II, HEX WSHR SLTD SE	4.000 ea
HW2501D13	KEY, 3/16 SQ X 1.375	1.000 ea
HA7000A04	KEY RETAINER 0.625 DIA SHAFTS	1.000 ea
HW3001B02	BRASS CUP WASHER W/GROUND SYMBOL TAB,	1.000 ea
MG1000G27	MED CHARCOAL METALLIC GREY 400-0096	0.013 ga
85XU0407S04	4X1/4 U DRIVE PIN STAINLESS	2.000 ea
33RK5004SP	ROCKERARM	1.000 ea
HA3100S03	THRUBOLT- 10-32 X 10.625 302 OR 303 SS	2.000 ea
LB1119N	WARNING LABEL	1.000 ea
MN416A01	TAG-INSTAL-MAINT no wire (2200bx) 4/22	1.000 ea
LC0194	CONNECTION LABEL	1.000 ea

NP0891L	NP STD LASER ENGRAVED DC MTRS, UL CSA CE	1.000 ea
36PA1000	PKG GRP, PRINT PK1016A06	1.000 ea

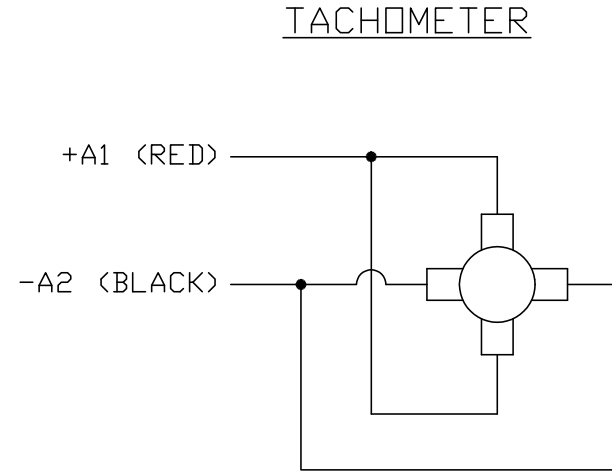
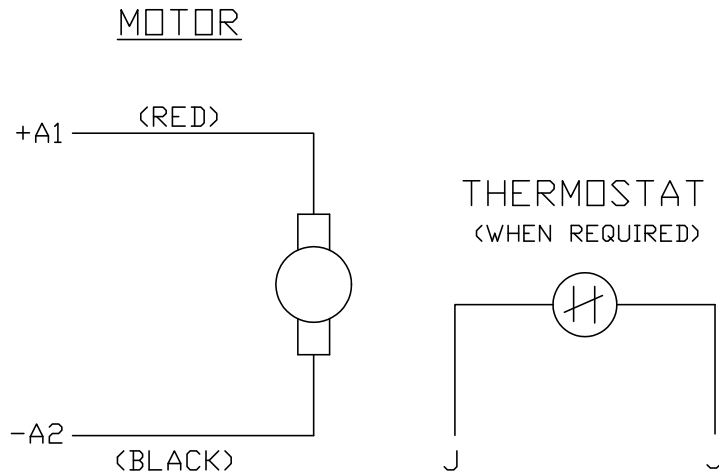
Accessories

Part number	Description	Multiplier
TK3300	TACHO MOUNTING KIT TK3300	A8
TK3300-HPU	HPU10 MOUNTING KIT 33P/34P TENV	A8

33LY2051



CD0194



NOTES:

1. CCW ROTATION AS SHOWN FACING COMMUTATOR END. TO REVERSE MOTOR ROTATION OR TACHOMETER OUTPUT POLARITY INTERCHANGE LEADS A1(RED) & A2(BLACK)
2. LEAD COLORS FOR REFERENCE ONLY & NOT SPECIFIED BY THIS DRAWING. LEAD COLORS SPECIFIED BY LAYOUT DRAWING & BILL OF MATERIAL ONLY.

MATL: -			
REV: E	ADDED NOTE "LEAD COLORS FOR REFERENCE ONLY &..."		
CD0194	SCALE: -	BY: CK	REVISED: 07/28/95
	FILE: AAA00004503	TDR: 0078737	

BALDOR ELECTRIC Co.

CD TYPE P DC PERMANENT MAGNET MOTORS AND TACHOMETERS

CD0194