

**BALDOR® • RELIANCE** 

**Product Information Packet**

**VM3542-5**

**.75HP, 1725RPM, 3PH, 60HZ, 56C, 3420M, TEFC, F1**

Part Detail							
Revision:	X	Status:	PRD/A	Change #:		Proprietary:	No
Type:	AC	Elec. Spec:	34WG0908	CD Diagram:	CD0006	Mfg Plant:	
Mech. Spec:	34A063	Layout:	34LYA063	Poles:	04	Created Date:	
Base:	N	Eff. Date:	09-13-2021	Leads:	3#18		

Specs			
Catalog Number:	VM3542-5	Inverter Code:	Not Inverter
Enclosure:	TEFC	KVA Code:	K
Frame:	56C	Lifting Lugs:	No Lifting Lugs
Frame Material:	Steel	Locked Bearing Indicator:	Locked Bearing
Motor Letter Type:	Three Phase	Motor Lead Quantity/Wire Size:	3 @ 18 AWG
Output @ Frequency:	.750 HP @ 60 HZ	Motor Lead Exit:	Ko Box
Synchronous Speed @ Frequency:	1800 RPM @ 60 HZ	Motor Lead Termination:	Flying Leads
Voltage @ Frequency:	575.0 V @ 60 HZ	Motor Type:	3420M
XP Class and Group:	None	Mounting Arrangement:	F1
XP Division:	Not Applicable	Power Factor:	60
Agency Approvals:	UR	Product Family:	General Purpose
	CSA	Pulley End Bearing Type:	Ball
Auxillary Box:	No Auxillary Box	Pulley Face Code:	C-Face
Auxillary Box Lead Termination:	None	Pulley Shaft Indicator:	Standard
Base Indicator:	No Mounting	Rodent Screen:	None
Bearing Grease Type:	Polyrex EM (-20F +300F)	RoHS Status:	ROHS COMPLIANT
Blower:	None	Shaft Extension Location:	Pulley End
Current @ Voltage:	1.200 A @ 575.0 V	Shaft Ground Indicator:	No Shaft Grounding

<b>Design Code:</b>	B	<b>Shaft Rotation:</b>	Reversible
<b>Drip Cover:</b>	No Drip Cover	<b>Shaft Slinger Indicator:</b>	No Slinger
<b>Duty Rating:</b>	CONT	<b>Speed Code:</b>	Single Speed
<b>Electrically Isolated Bearing:</b>	Not Electrically Isolated	<b>Motor Standards:</b>	NEMA
<b>Feedback Device:</b>	NO FEEDBACK	<b>Starting Method:</b>	Direct on line
<b>Front Face Code:</b>	Standard	<b>Thermal Device - Bearing:</b>	None
<b>Front Shaft Indicator:</b>	None	<b>Thermal Device - Winding:</b>	None
<b>Heater Indicator:</b>	No Heater	<b>Vibration Sensor Indicator:</b>	No Vibration Sensor
<b>Insulation Class:</b>	B	<b>Winding Thermal 1:</b>	None
		<b>Winding Thermal 2:</b>	None

Nameplate NP1256L										
CAT.NO.	VM3542-5									
SPEC.	34A63-908									
HP	.75									
VOLTS	575									
AMP	1.2									
RPM	1725									
FRAME	56C				HZ	60			PH	3
SER.F.	1.25		CODE	K	DES	B		CLASS	B	
NEMA-NOM-EFF	75.5		PF	60						
RATING	40C AMB-CONT									
CC	USABLE AT 208V									
DE	6203				ODE	6203				
ENCL	TEFC		SN							
	SFA 1.4									

**AC Induction Motor Performance Data**

Record # 33219

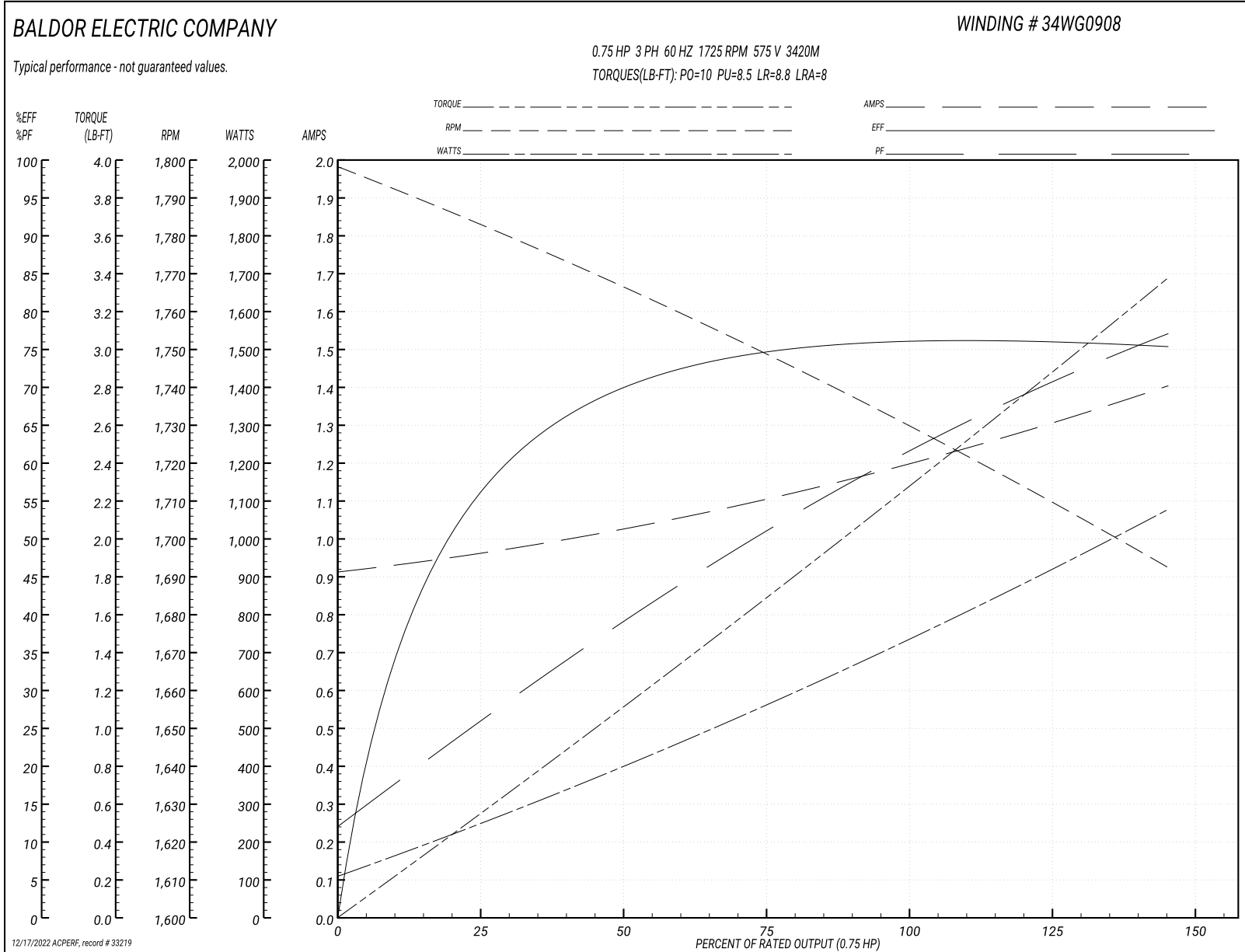
Typical performance - not guaranteed values

Winding: 34WG0908-R001		Type: 3420M	Enclosure: TEFC
<b>Nameplate Data</b>		<b>575 V, 60 Hz: Single Voltage Motor</b>	
Rated Output (HP)	.75	Full Load Torque	2.25 LB-FT
Volts	575	Start Configuration	direct on line
Full Load Amps	1.2	Breakdown Torque	10 LB-FT
R.P.M.	1725	Pull-up Torque	8.5 LB-FT
Hz	60 Phase	Locked-rotor Torque	8.8 LB-FT
NEMA Design Code	B KVA Code	Starting Current	8 A
Service Factor (S.F.)	1.25	No-load Current	0.9 A
NEMA Nom. Eff.	75.5 Power Factor	Line-line Res. @ 25°C	27.8 Ω
Rating - Duty	40C AMB-CONT	Temp. Rise @ Rated Load	48°C
S.F. Amps	1.4	Temp. Rise @ S.F. Load	59°C

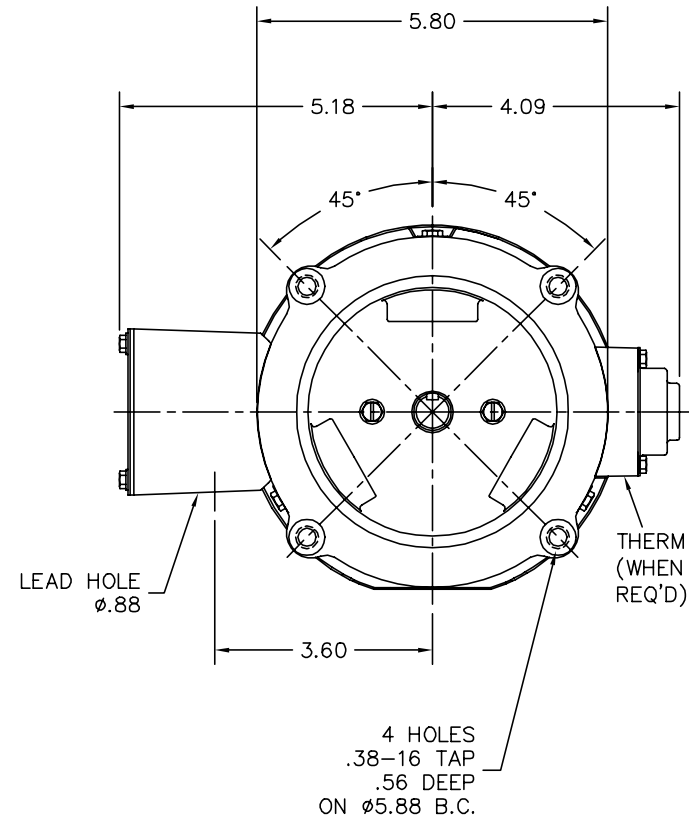
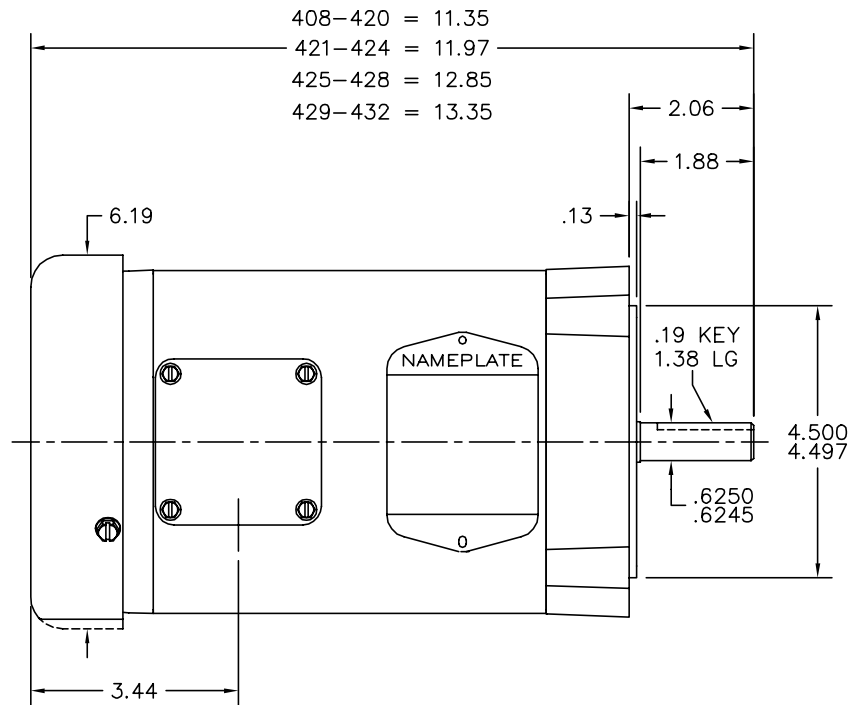
**Load Characteristics 575 V, 60 Hz, 0.75 HP**

% of Rated Load	25	50	75	100	125	150	S.F.
Power Factor	26	41	51	61	69	77	69
Efficiency	56.1	70	74.8	76.2	76	75.3	76
Speed	1783	1766	1749	1731	1711	1693	1711
Line amperes	1	1	1.1	1.2	1.3	1.4	1.3

Performance Graph at 575V, 60Hz, 0.75HP Typical performance - Not guaranteed values



34LYA063



34LYA063

CUSTOMER IS RESPONSIBLE FOR DETERMINING THAT BALDOR'S PRODUCT WILL PERFORM SUITABLY IN THE INTENDED APPLICATION.

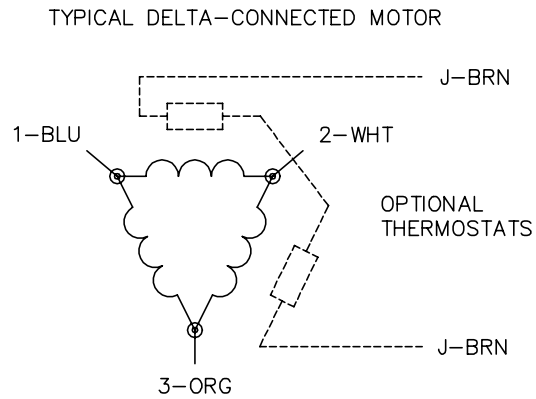
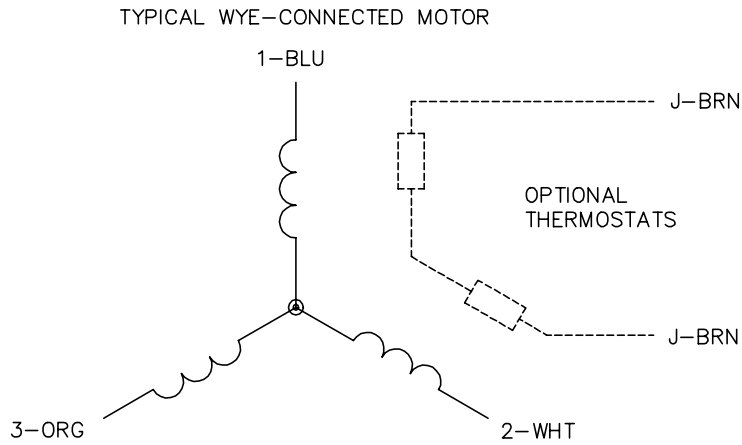
REV. DESC: UPDAYE LAYOUT GRAPHICS		
REV. LTR: M	VERSION: 03	TDR: 000001189834
FILE: \AAA\00000\724	REVISED: 02:47:09 04/25/2022	BY: ENJFDO
MTL: -	⊙ ⊐	

**BALDOR - RELIANCE®**

STD VERT 34M NEMA 56C TEFC

SH 1 of 1

CD0006



NOTES:

1. THREE LEAD MOTOR MAY BE EITHER WYE CONNECTED OR DELTA CONNECTED.
2. INTERCHANGE ANY TWO LINE LEADS TO REVERSE ROTATION.
3. OPTIONAL THERMOSTATS ARE PROVIDED WHEN SPECIFIED.
4. ACTUAL NUMBER OF INTERNAL PARALLEL CIRCUITS MAY VARY.
5. LEAD COLORS ARE OPTIONAL. LEADS MUST BE NUMBERED AS SHOWN.

CD0006

REV. DESC: ADD CLASS CONN00000007		
REV. LTR: E	VERSION: 01	TDR: 000001099922
FILE: \AAA\00005\141	REVISED: 10:24:49 02/19/2019	BY: ENBRIRO
MTL: -	© □	

**BALDOR - RELIANCE®**

3PH, SV, 3 LEADS, WYE OR DELTA CONNECTED

SH 1 of 1