

BALDOR® • RELIANCE 

Product Information Packet

CEM3771T-5

10HP,3490RPM,3PH,60HZ,215TC,0730M,TEFC,F

Part Detail							
Revision:	M	Status:	PRD/A	Change #:		Proprietary:	No
Type:	AC	Elec. Spec:	07WGY278	CD Diagram:	CD0006	Mfg Plant:	
Mech. Spec:	07H058	Layout:	07LYH058	Poles:	02	Created Date:	01-27-2012
Base:	RG	Eff. Date:	06-14-2021	Leads:	3#14		

Specs			
Catalog Number:	CEM3771T-5	Inverter Code:	Inverter Ready
Enclosure:	TEFC	KVA Code:	G
Frame:	215TC	Lifting Lugs:	Standard Lifting Lugs
Frame Material:	Iron	Locked Bearing Indicator:	Locked Bearing
Motor Letter Type:	Three Phase	Motor Lead Quantity/Wire Size:	3 @ 14 AWG
Output @ Frequency:	10.000 HP @ 60 HZ	Motor Lead Exit:	Ko Box
Synchronous Speed @ Frequency:	3600 RPM @ 60 HZ	Motor Lead Termination:	Flying Leads
Voltage @ Frequency:	575.0 V @ 60 HZ	Motor Type:	0730M
XP Class and Group:	None	Mounting Arrangement:	F1
XP Division:	Not Applicable	Power Factor:	87
Agency Approvals:	CSA	Product Family:	General Purpose
	CSA EEV	Pulley End Bearing Type:	Ball
	UR	Pulley Face Code:	C-Face
Auxillary Box:	No Auxillary Box	Pulley Shaft Indicator:	Standard
Auxillary Box Lead Termination:	None	Rodent Screen:	None
Base Indicator:	Rigid	RoHS Status:	ROHS COMPLIANT
Bearing Grease Type:	Polyrex EM (-20F +300F)	Shaft Extension Location:	Pulley End
Blower:	None	Shaft Ground Indicator:	No Shaft Grounding

Current @ Voltage:	9.300 A @ 575.0 V	Shaft Rotation:	Reversible
Design Code:	B	Shaft Slinger Indicator:	No Slinger
Drip Cover:	No Drip Cover	Speed Code:	Single Speed
Duty Rating:	CONT	Motor Standards:	NEMA
Electrically Isolated Bearing:	Not Electrically Isolated	Starting Method:	Direct on line
Feedback Device:	NO FEEDBACK	Thermal Device - Bearing:	None
Front Face Code:	Standard	Thermal Device - Winding:	None
Front Shaft Indicator:	None	Vibration Sensor Indicator:	No Vibration Sensor
Heater Indicator:	No Heater	Winding Thermal 1:	None
Insulation Class:	F	Winding Thermal 2:	None

Nameplate NP3441L										
CAT.NO.	CEM3771T-5									
SPEC.	07H058Y278G1									
HP	10									
VOLTS	575									
AMP	9.3									
RPM	3490									
FRAME	215TC				HZ	60			PH	3
SER.F.	1.15		CODE	G	DES	B		CL	F	
NEMA-NOM-EFF	90.2		PF	87						
RATING	40C AMB-CONT									
CC	010A				USABLE AT 208V					
DE	6307				ODE	6206				
ENCL	TEFC		SN							
VPWM INVERTER READY										
CT6-60H(10:1)VT3-60H(20:1)										

AC Induction Motor Performance Data

Record # 36756

Typical performance - not guaranteed values

Winding: 07WGY278-R001		Type: 0730M	Enclosure: TEFC
Nameplate Data		575 V, 60 Hz: Single Voltage Motor	
Rated Output (HP)	10	Full Load Torque	15.1 LB-FT
Volts	575	Start Configuration	direct on line
Full Load Amps	9.3	Breakdown Torque	53.9 LB-FT
R.P.M.	3490	Pull-up Torque	16.8 LB-FT
Hz	60 Phase	Locked-rotor Torque	22.6 LB-FT
NEMA Design Code	B KVA Code	Starting Current	59.9 A
Service Factor (S.F.)	1.15	No-load Current	2.68 A
NEMA Nom. Eff.	90.2 Power Factor	Line-line Res. @ 25°C	1.71 Ω
Rating - Duty	40C AMB-CONT	Temp. Rise @ Rated Load	64°C
S.F. Amps		Temp. Rise @ S.F. Load	80°C
		Locked-rotor Power Factor	33
		Rotor inertia	0.273 LB-FT ²

Load Characteristics 575 V, 60 Hz, 10 HP

% of Rated Load	25	50	75	100	125	150	S.F.
Power Factor	63	82	89	91	91	91	90
Efficiency	88.4	91.7	91.4	90.5	89.2	88.1	90.1
Speed	3575	3549	3522	3493	3459	3421	3476
Line amperes	3.45	5.1	7.05	9.18	11.6	14.2	10.7

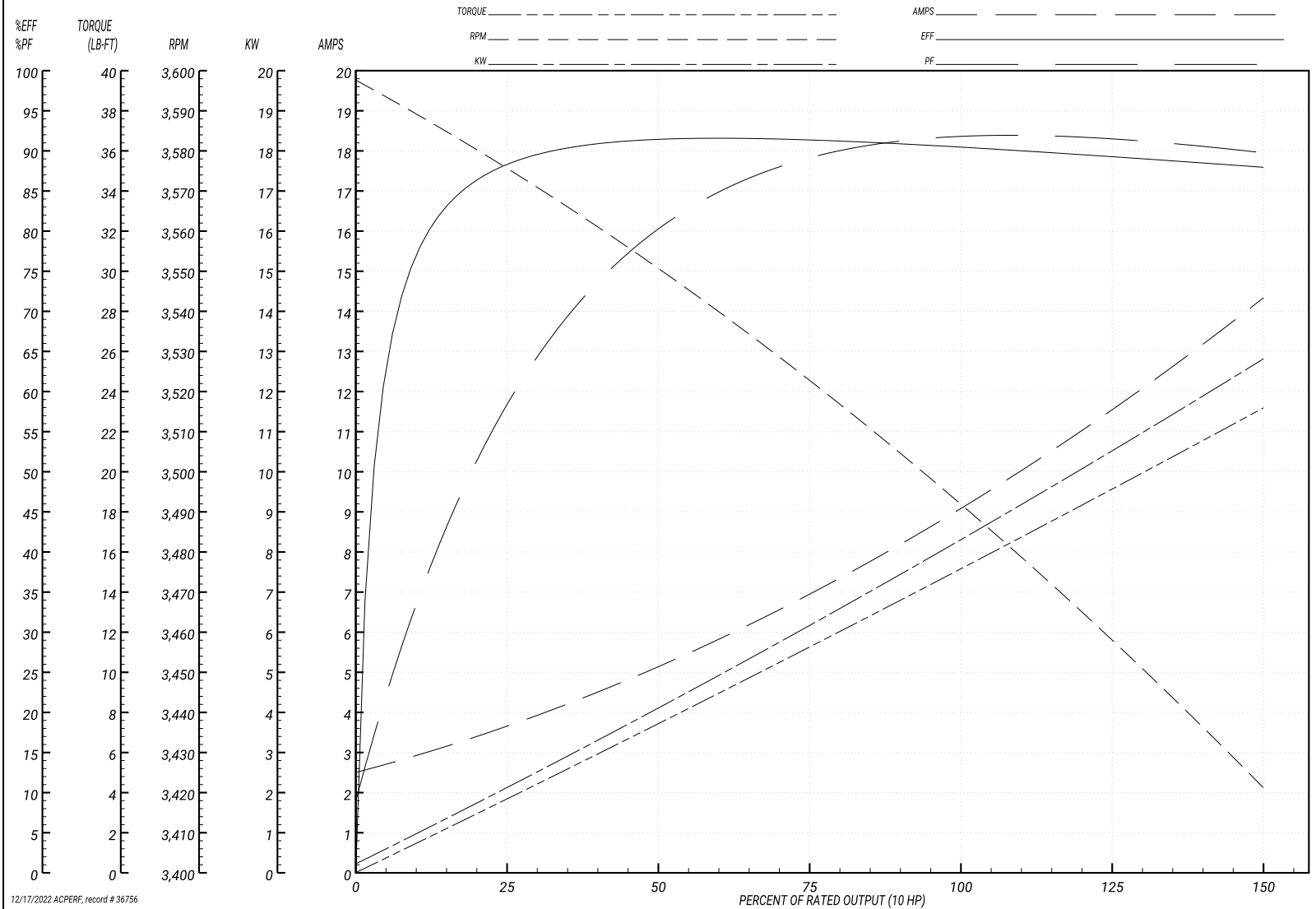
Performance Graph at 575V, 60Hz, 10.0HP Typical performance - Not guaranteed values

BALDOR ELECTRIC COMPANY

WINDING # 07WGY278

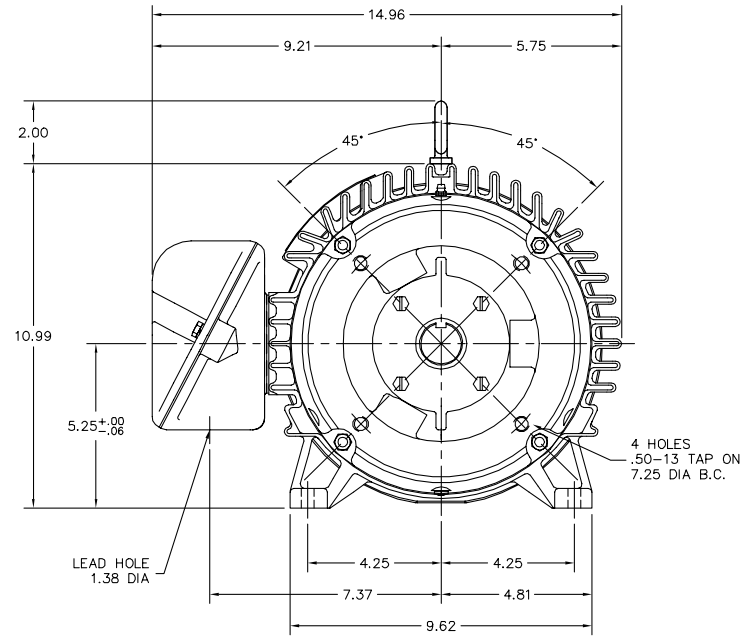
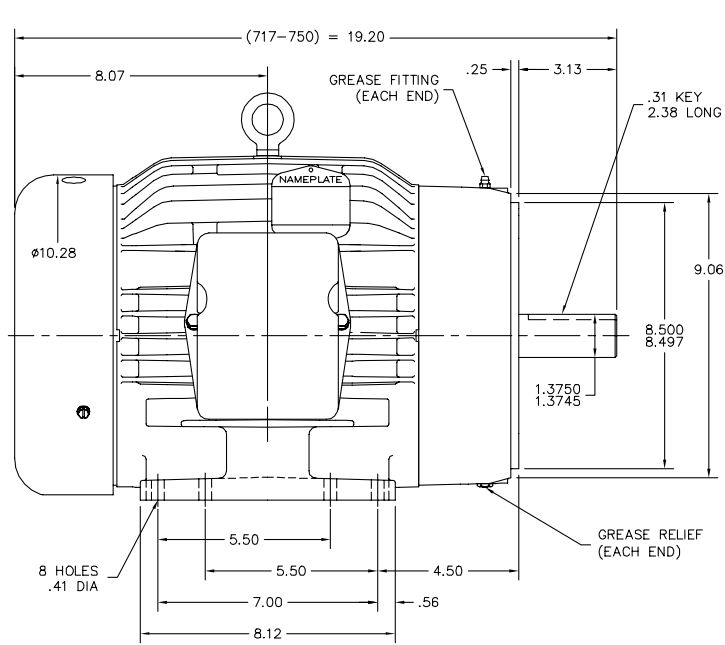
Typical performance - not guaranteed values.

10 HP 3 PH 60 HZ 3490 RPM 575 V 0730M
 TORQUES(LB-FT): PO=53.9 PU=16.8 LR=22.6 LRA=59.9



12/17/2022 ACPERF, record # 36756

07LYH058



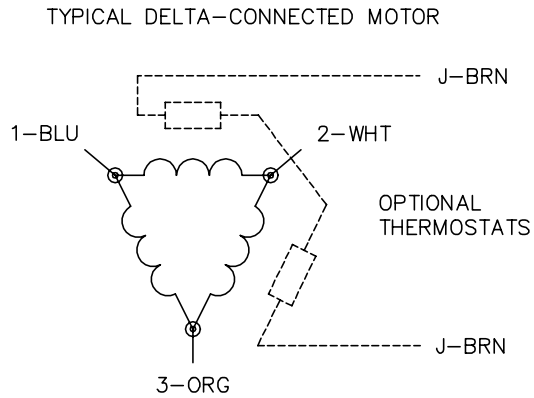
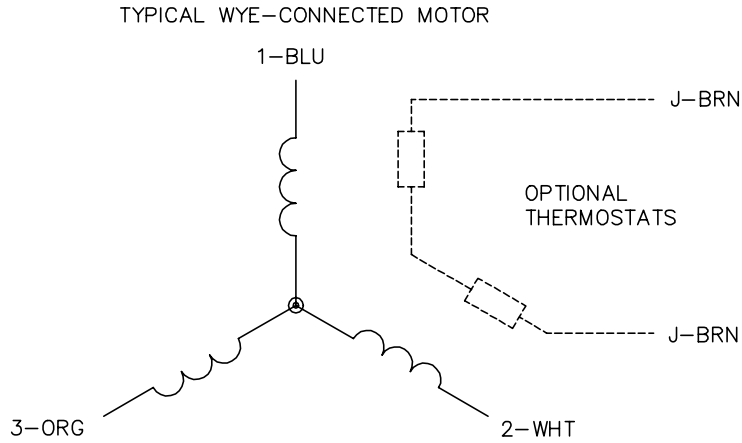
CUSTOMER IS RESPONSIBLE FOR DETERMINING THAT BALDOR'S PRODUCT WILL PERFORM SUITABLY IN THE INTENDED APPLICATION.

REV. DESC: OMIT GROUND LUG FROM LAYOUT		
REV. LTR: M	VERSION: 03	TDR: 000000569767
FILE: \AAA\00016\842	REVISED: 08:57:45 12/03/2010	BY: ENMATRO
MTL: -		

BALDOR
 HORZ 213-5TC TEFC 307M SUPER-E
 SH 1 of 1

07LYH058

CD0006



NOTES:

1. THREE LEAD MOTOR MAY BE EITHER WYE CONNECTED OR DELTA CONNECTED.
2. INTERCHANGE ANY TWO LINE LEADS TO REVERSE ROTATION.
3. OPTIONAL THERMOSTATS ARE PROVIDED WHEN SPECIFIED.
4. ACTUAL NUMBER OF INTERNAL PARALLEL CIRCUITS MAY VARY.
5. LEAD COLORS ARE OPTIONAL. LEADS MUST BE NUMBERED AS SHOWN.

CD0006

REV. DESC: ADD CLASS CONN00000007		
REV. LTR: E	VERSION: 01	TDR: 000001099922
FILE: \AAA\00005\141	REVISED: 10:24:49 02/19/2019	BY: ENBRIRO
MTL: -	© □	

BALDOR - RELIANCE®

3PH, SV, 3 LEADS, WYE OR DELTA CONNECTED

SH 1 of 1