

BALDOR® • RELIANCE 

Product Information Packet

EM3559T-5

3HP,3450RPM,3PH,60HZ,145T,3532M,TEFC,F1

Part Detail							
Revision:	K	Status:	PRD/A	Change #:		Proprietary:	No
Type:	AC	Elec. Spec:	35WGM839	CD Diagram:	CD0006	Mfg Plant:	
Mech. Spec:	35TT638	Layout:	35LYTT638	Poles:	02	Created Date:	05-16-2013
Base:	RG	Eff. Date:	11-08-2018	Leads:	3#18		

Specs			
Catalog Number:	EM3559T-5	Inverter Code:	Inverter Ready
Enclosure:	TEFC	IP Rating:	NONE
Frame:	143T	KVA Code:	L
Frame Material:	Steel	Lifting Lugs:	No Lifting Lugs
Motor Letter Type:	Three Phase	Locked Bearing Indicator:	No Locked Bearing
Output @ Frequency:	3.000 HP @ 60 HZ	Motor Lead Quantity/Wire Size:	3 @ 18 AWG
Synchronous Speed @ Frequency:	3600 RPM @ 60 HZ	Motor Lead Termination:	Flying Leads
Voltage @ Frequency:	575.0 V @ 60 HZ	Motor Type:	3532M
XP Class and Group:	None	Mounting Arrangement:	F1
XP Division:	Not Applicable	Power Factor:	92
Agency Approvals:	CSA	Product Family:	General Purpose
	CSA EEV	Pulley End Bearing Type:	Ball
	UR	Pulley Face Code:	Standard
Auxillary Box:	No Auxillary Box	Pulley Shaft Indicator:	Standard
Auxillary Box Lead Termination:	None	Rodent Screen:	None
Base Indicator:	Rigid	RoHS Status:	ROHS COMPLIANT
Bearing Grease Type:	Polyrex EM (-20F +300F)	Shaft Extension Location:	Pulley End
Blower:	None	Shaft Ground Indicator:	No Shaft Grounding

Current @ Voltage:	2.900 A @ 575.0 V	Shaft Rotation:	Reversible
Design Code:	B	Shaft Slinger Indicator:	No Slinger
Drip Cover:	No Drip Cover	Speed Code:	Single Speed
Duty Rating:	CONT	Motor Standards:	NEMA
Electrically Isolated Bearing:	Not Electrically Isolated	Starting Method:	Direct on line
Feedback Device:	NO FEEDBACK	Thermal Device - Bearing:	None
Front Shaft Indicator:	None	Thermal Device - Winding:	None
Heater Indicator:	No Heater	Vibration Sensor Indicator:	No Vibration Sensor
Insulation Class:	F	Winding Thermal 1:	None
		Winding Thermal 2:	None

Nameplate NP3441L										
CAT.NO.	EM3559T-5									
SPEC.	35TT638M839G1									
HP	3									
VOLTS	575									
AMP	2.9									
RPM	3450									
FRAME	143T			HZ	60				PH	3
SER.F.	1.15		CODE	L		DES	B		CL	F
NEMA-NOM-EFF	86.5		PF	92						
RATING	40C AMB-CONT									
CC	010A					USABLE AT 208V				
DE	6205			ODE	6203					
ENCL	TEFC		SN							
VPWM INVERTER READY										
CT6-60H(10:1)VT3-60H(20:1)										

AC Induction Motor Performance Data

Record # 32143

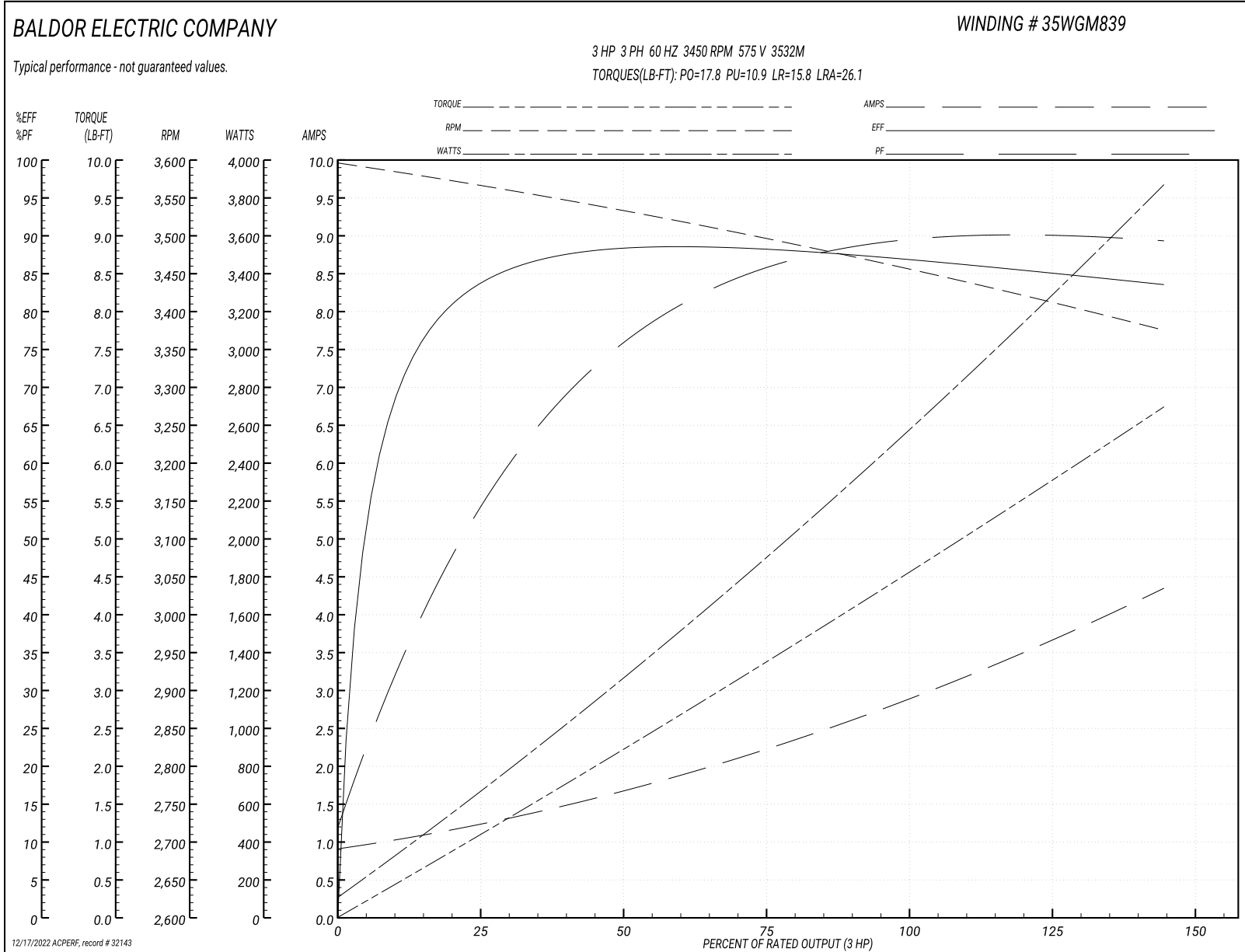
Typical performance - not guaranteed values

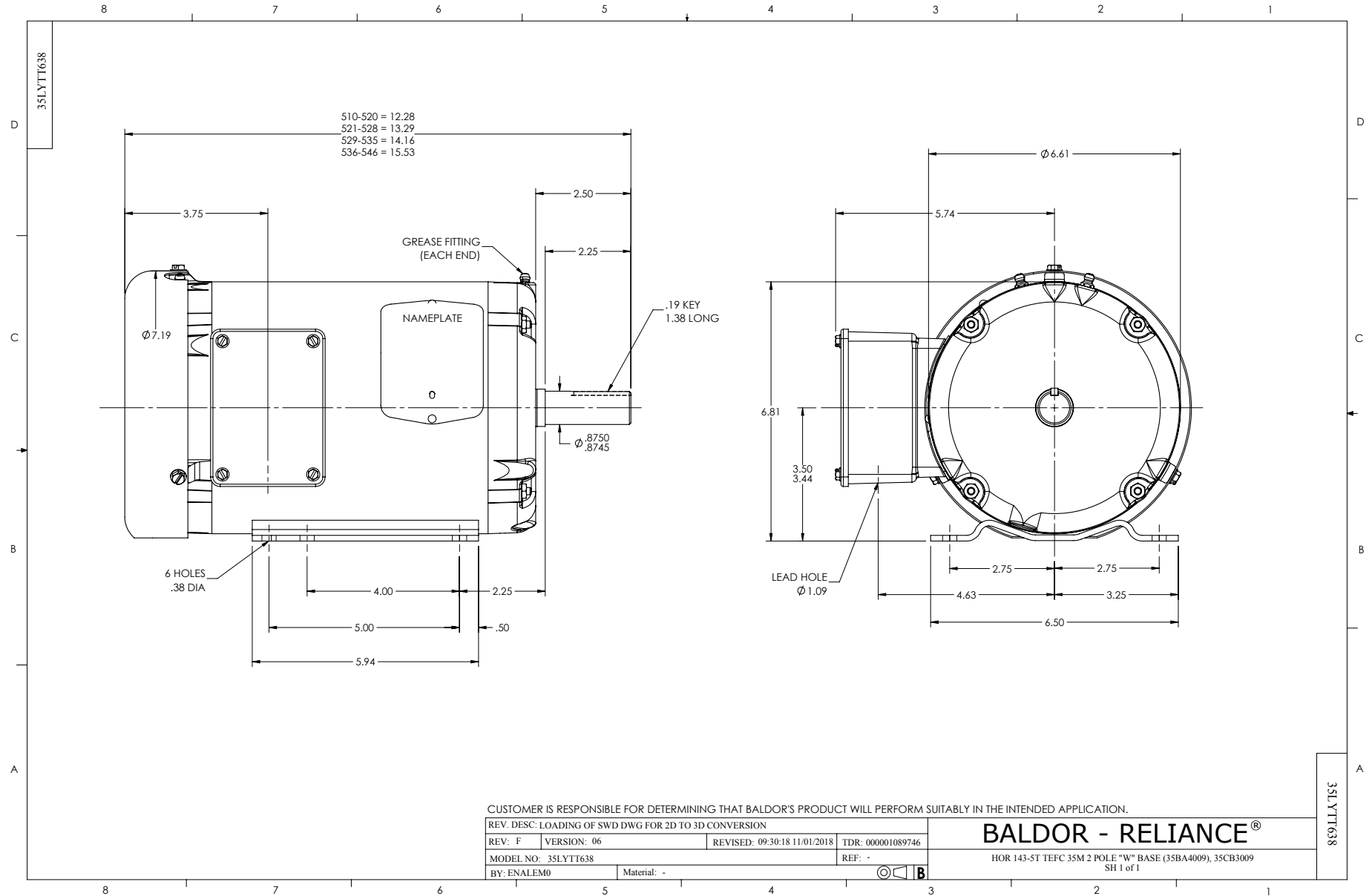
Winding: 35WGM839-R001		Type: 3532M	Enclosure: TEFC
Nameplate Data		575 V, 60 Hz: Single Voltage Motor	
Rated Output (HP)	3	Full Load Torque	4.5 LB-FT
Volts	575	Start Configuration	direct on line
Full Load Amps	2.9	Breakdown Torque	17.8 LB-FT
R.P.M.	3450	Pull-up Torque	10.9 LB-FT
Hz	60 Phase	Locked-rotor Torque	15.8 LB-FT
NEMA Design Code	B KVA Code	Starting Current	26.1 A
Service Factor (S.F.)	1.15	No-load Current	0.948 A
NEMA Nom. Eff.	86.5 Power Factor	Line-line Res. @ 25°C	7.47 Ω
Rating - Duty	40C AMB-CONT	Temp. Rise @ Rated Load	61°C
S.F. Amps		Temp. Rise @ S.F. Load	74°C
		Locked-rotor Power Factor	47
		Rotor inertia	0.0885 LB-FT ²

Load Characteristics 575 V, 60 Hz, 3 HP

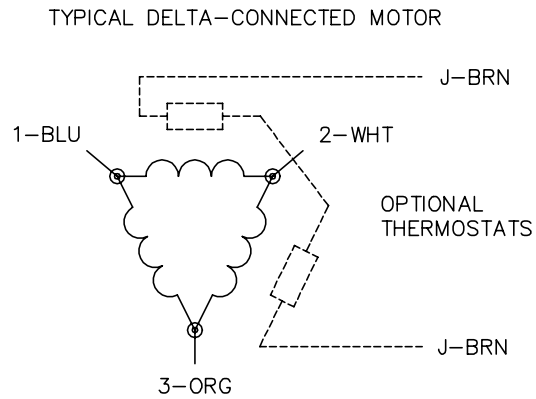
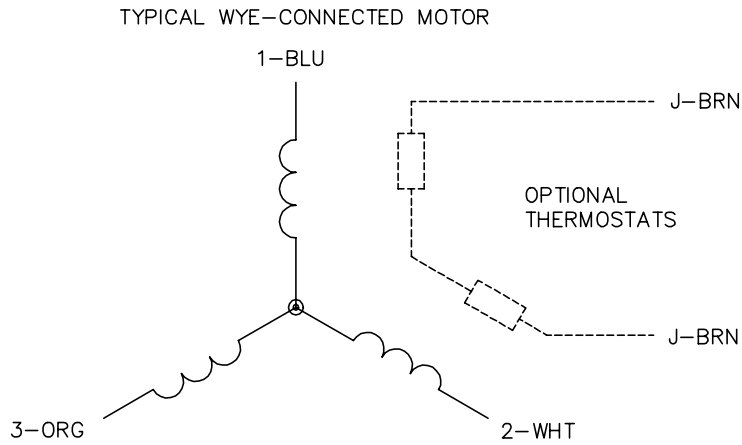
% of Rated Load	25	50	75	100	125	150	S.F.
Power Factor	58	77	86	88	89	90	89
Efficiency	83.8	87.9	88.1	87.2	85.5	83.4	86.2
Speed	3562	3531	3497	3461	3419	3373	3436
Line amperes	1.19	1.67	2.23	2.88	3.6	4.32	3.31

Performance Graph at 575V, 60Hz, 3.0HP Typical performance - Not guaranteed values





CD0006



NOTES:

1. THREE LEAD MOTOR MAY BE EITHER WYE CONNECTED OR DELTA CONNECTED.
2. INTERCHANGE ANY TWO LINE LEADS TO REVERSE ROTATION.
3. OPTIONAL THERMOSTATS ARE PROVIDED WHEN SPECIFIED.
4. ACTUAL NUMBER OF INTERNAL PARALLEL CIRCUITS MAY VARY.
5. LEAD COLORS ARE OPTIONAL. LEADS MUST BE NUMBERED AS SHOWN.

CD0006

REV. DESC: ADD CLASS CONN00000007		
REV. LTR: E	VERSION: 01	TDR: 000001099922
FILE: \AAA\00005\141	REVISED: 10:24:49 02/19/2019	BY: ENBRIRO
MTL: -	© □	

BALDOR - RELIANCE®

3PH, SV, 3 LEADS, WYE OR DELTA CONNECTED

SH 1 of 1