

BALDOR® • RELIANCE 

Product Information Packet

VEBM3546-5S

1/.75KWHP,1774 1/MIN ip22 IC411 23KGRPM

Part Detail							
Revision:	A	Status:	PRD/A	Change #:		Proprietary:	No
Type:	AC	Elec. Spec:	35WGG119	CD Diagram:	CD0006	Mfg Plant:	
Mech. Spec:	35X055	Layout:	35LYX055	Poles:	04	Created Date:	01-10-2022
Base:	N	Eff. Date:	07-14-2022	Leads:	3#18		

Specs			
Catalog Number:	VEBM3546-5S	Heater Indicator:	No Heater
Enclosure:	TEFC	Insulation Class:	F
Frame:	56C	Inverter Code:	Inverter Ready
Frame Material:	Steel	KVA Code:	L
Motor Letter Type:	Three Phase	Lifting Lugs:	No Lifting Lugs
Output @ Frequency:	1.000 HP @ 60 HZ	Locked Bearing Indicator:	Locked Bearing
Synchronous Speed @ Frequency:	1800 RPM @ 60 HZ	Motor Lead Quantity/Wire Size:	3 @ 18 AWG
Voltage @ Frequency:	575.0 V @ 60 HZ	Motor Lead Exit:	Ko Box
XP Class and Group:	None	Motor Lead Termination:	Flying Leads
XP Division:	Not Applicable	Motor Type:	3520M
Agency Approvals:	CSA EEV	Mounting Arrangement:	F3
	UR	Power Factor:	71
	WEEE	Product Family:	General Purpose
	CSA	Pulley End Bearing Type:	Ball
	CE	Pulley Face Code:	C-Face
Auxillary Box:	No Auxillary Box	Pulley Shaft Indicator:	Standard
Auxillary Box Lead Termination:	None	Rodent Screen:	None
Base Indicator:	No Mounting	Shaft Extension Location:	Pulley End

Bearing Grease Type:	Polyrex EM (-20F +300F)	Shaft Ground Indicator:	No Shaft Grounding
Blower:	None	Shaft Rotation:	Reversible
Current @ Voltage:	1.200 A @ 575.0 V	Shaft Slinger Indicator:	No Slinger
Design Code:	B	Speed Code:	Single Speed
Drip Cover:	No Drip Cover	Motor Standards:	NEMA
Duty Rating:	CONT	Starting Method:	Direct on line
Electrically Isolated Bearing:	Not Electrically Isolated	Thermal Device - Bearing:	None
Feedback Device:	NO FEEDBACK	Thermal Device - Winding:	None
Front Face Code:	Special Combinations Not Liste	Vibration Sensor Indicator:	No Vibration Sensor
Front Shaft Indicator:	None	Winding Thermal 1:	None
		Winding Thermal 2:	None

Nameplate NP2934L									
CAT.NO.	VEBM3546-5S								
SPEC.	35X055G119G1								
HP	1/.75KW								
VOLTS	575								
AMP	1.3 BRK 6FT-LB								
RPM	1774 1/MIN ip22 IC411 23KG								
FRAME	56C		HZ	60		PH	3		
SER.F.	1.15		CODE	N		DES	B		CL
NEMA-NOM-EFF	85.5		PF	67					
RATING	40C AMB-S1 CONT								
CC	010A					USABLE AT 208V			
DE	6205		ODE	6205					
ENCL	TEFC		SN						
	IE3-85.2(75%)83.2(50%)								

AC Induction Motor Performance Data

Record # 89182

Typical performance - not guaranteed values

Winding: 35WGG119-R001		Type: 3522M		Enclosure: TEFC		
Nameplate Data			575 V, 60 Hz: Single Voltage Motor			
Rated Output (HP)	1	Full Load Torque	2.952 LB-FT			
Volts	575	Start Configuration	direct on line			
Full Load Amps	1.3	Breakdown Torque	14.8 LB-FT			
R.P.M.	1774	Pull-up Torque	9.32 LB-FT			
Hz	60 Phase	3	Locked-rotor Torque	12.1 LB-FT		
NEMA Design Code	B KVA Code	N	Starting Current	12.9 A		
Service Factor (S.F.)	1.15	No-load Current	0.906 A			
NEMA Nom. Eff.	85.5	Power Factor	67	Line-line Res. @ 25°C	22.369 Ω	
Rating - Duty	40C AMB-CONT		Temp. Rise @ Rated Load	29°C		
S.F. Amps			Temp. Rise @ S.F. Load	33°C		
			Locked-rotor Power Factor	58.7627		

Load Characteristics 575 V, 60 Hz, 1 HP

% of Rated Load	25	50	75	100	125	150	S.F.
Power Factor	28	45	58	67	74	78	71
Efficiency	71.4	81.7	85.1	86.2	86.4	85.9	86.3
Speed	1792.5	1786	1779.3	1772.1	1764.4	1756.3	1767
Line amperes	0.936	1.02	1.14	1.29	1.47	1.67	1.4

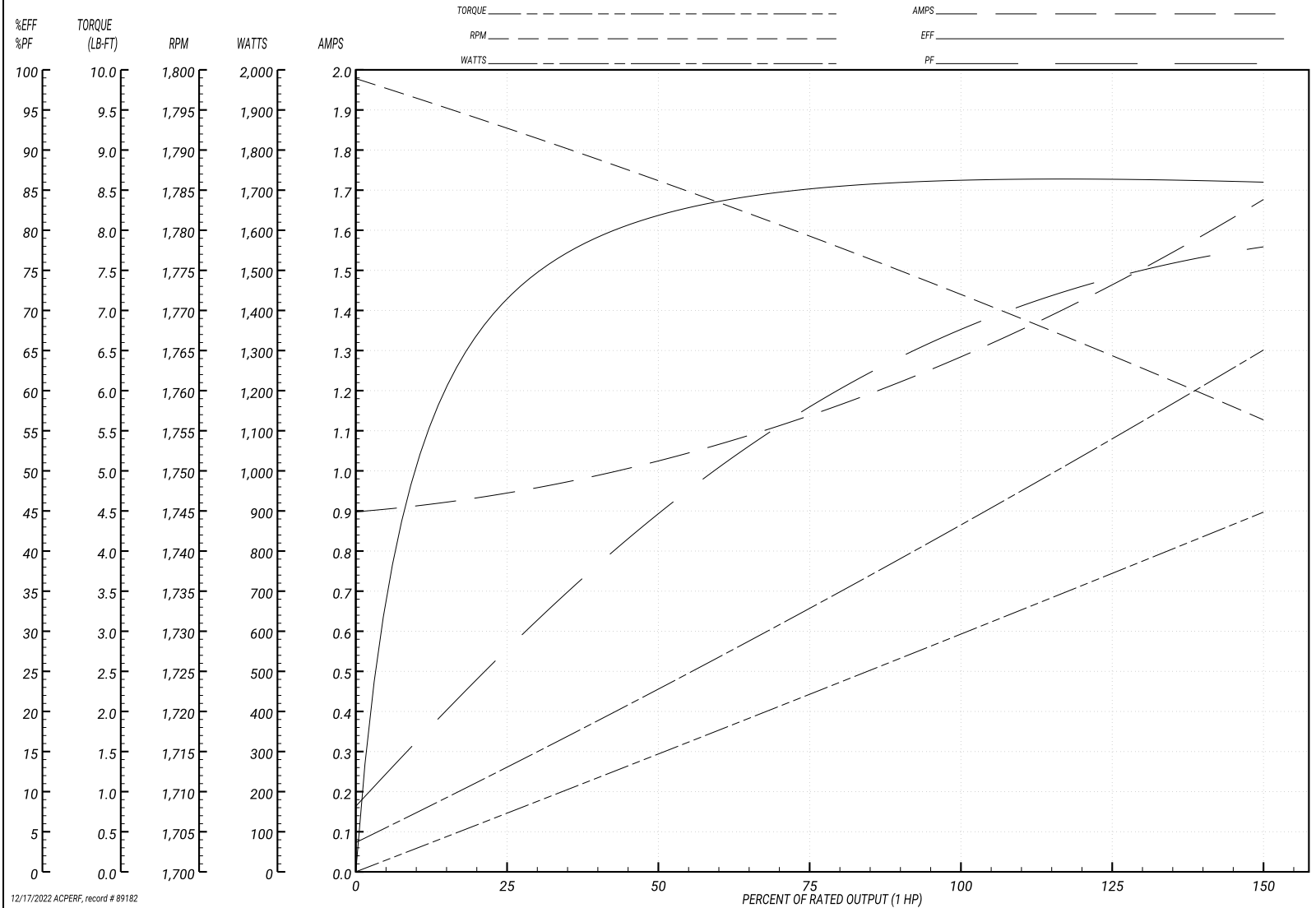
Performance Graph at 575V, 60Hz, 1.0HP Typical performance - Not guaranteed values

BALDOR ELECTRIC COMPANY

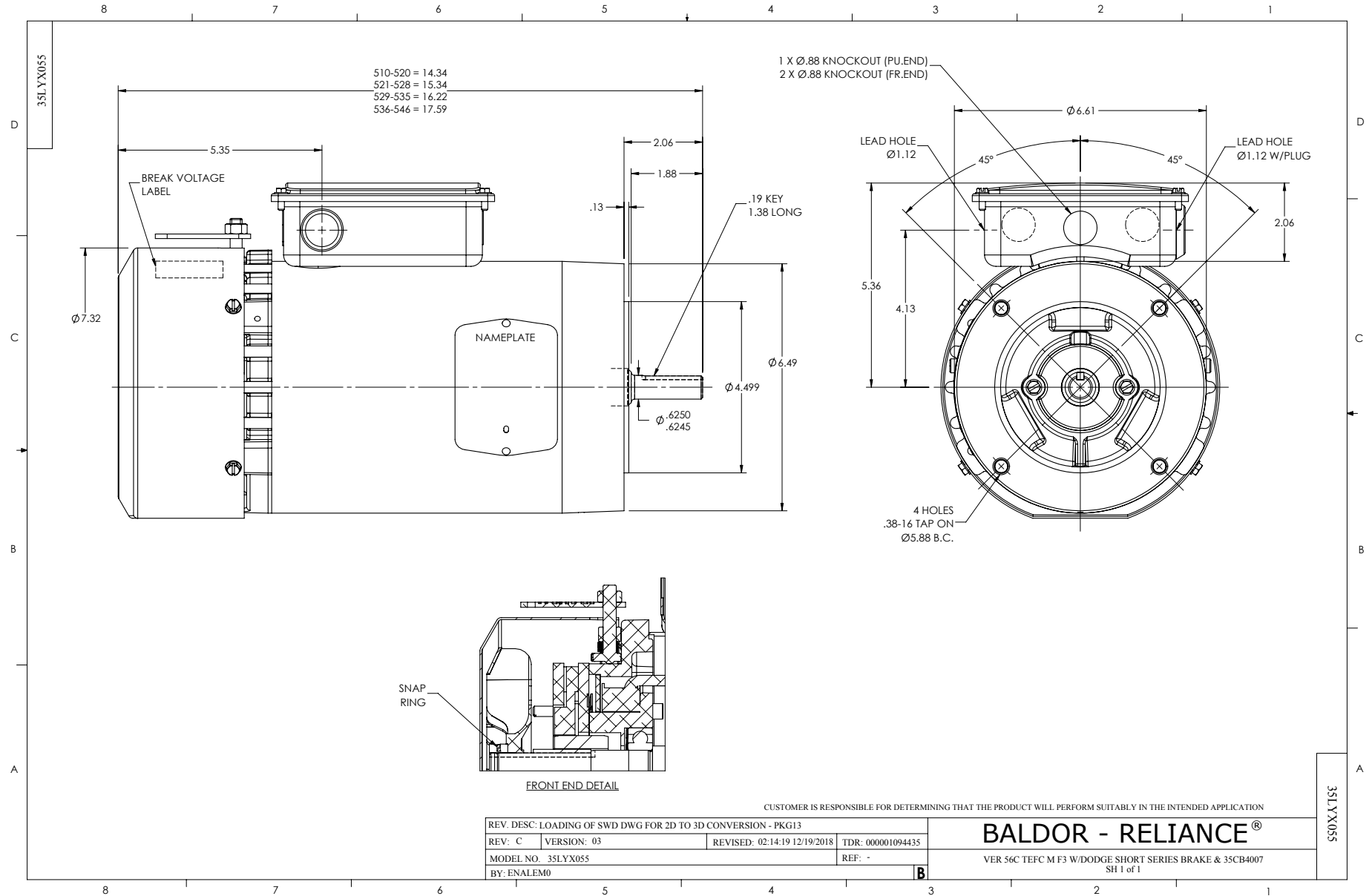
WINDING # 35WGG119

Typical performance - not guaranteed values.

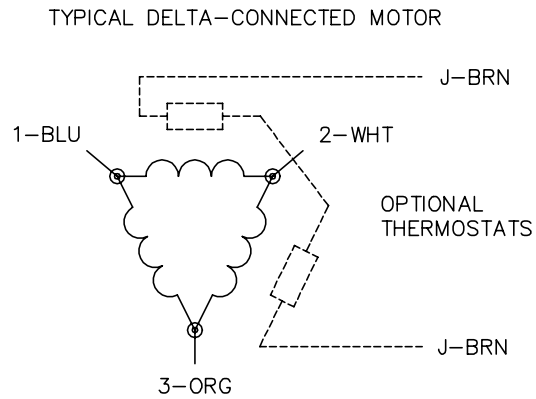
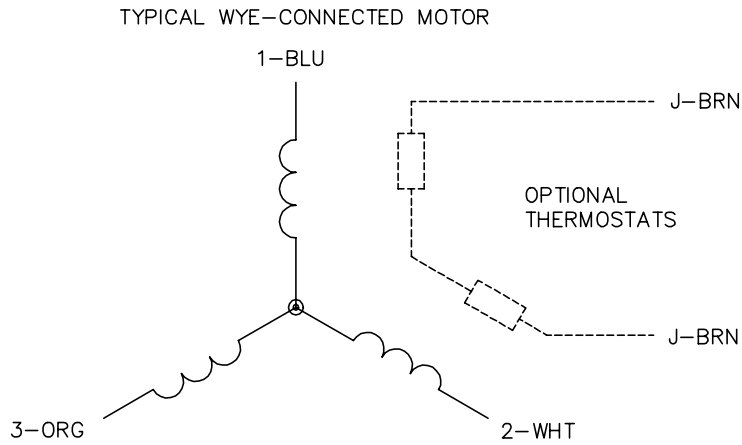
1 HP 3 PH 60 HZ 1774 RPM 575 V 3522M
 TORQUES(LB-FT): PO=14.8 PU=9.32 LR=12.1 LRA=12.9



12/17/2022 ACPERF, record # 89182



CD0006



NOTES:

1. THREE LEAD MOTOR MAY BE EITHER WYE CONNECTED OR DELTA CONNECTED.
2. INTERCHANGE ANY TWO LINE LEADS TO REVERSE ROTATION.
3. OPTIONAL THERMOSTATS ARE PROVIDED WHEN SPECIFIED.
4. ACTUAL NUMBER OF INTERNAL PARALLEL CIRCUITS MAY VARY.
5. LEAD COLORS ARE OPTIONAL. LEADS MUST BE NUMBERED AS SHOWN.

CD0006

REV. DESC: ADD CLASS CONN00000007		
REV. LTR: E	VERSION: 01	TDR: 000001099922
FILE: \AAA\00005\141	REVISED: 10:24:49 02/19/2019	BY: ENBRIRO
MTL: -		

BALDOR - RELIANCE®

3PH, SV, 3 LEADS, WYE OR DELTA CONNECTED

SH 1 of 1