

**BALDOR® • RELIANCE** 

**Product Information Packet**

**CEM3546-8**

**1HP,1760RPM,3PH,60HZ,56C,3520M,TEFC,F1,N**

Part Detail							
Revision:	G	Status:	PRD/A	Change #:		Proprietary:	No
Type:	AC	Elec. Spec:	35WGM848	CD Diagram:	CD0006	Mfg Plant:	
Mech. Spec:	35A012	Layout:	35LYA012	Poles:	04	Created Date:	08-01-2015
Base:	RG	Eff. Date:	03-06-2018	Leads:	3#18		

Specs			
Catalog Number:	CEM3546-8	Inverter Code:	Inverter Ready
Enclosure:	TEFC	KVA Code:	L
Frame:	56C	Lifting Lugs:	No Lifting Lugs
Frame Material:	Steel	Locked Bearing Indicator:	Locked Bearing
Motor Letter Type:	Three Phase	Motor Lead Quantity/Wire Size:	3 @ 18 AWG
Output @ Frequency:	1.000 HP @ 60 HZ	Motor Lead Exit:	Ko Box
Synchronous Speed @ Frequency:	1800 RPM @ 60 HZ	Motor Lead Termination:	Flying Leads
Voltage @ Frequency:	200.0 V @ 60 HZ	Motor Type:	3520M
XP Class and Group:	None	Mounting Arrangement:	F1
XP Division:	Not Applicable	Power Factor:	71
Agency Approvals:	CSA	Product Family:	General Purpose
	CSA EEV	Pulley End Bearing Type:	Ball
	UR	Pulley Face Code:	C-Face
Auxillary Box:	No Auxillary Box	Pulley Shaft Indicator:	Standard
Auxillary Box Lead Termination:	None	Rodent Screen:	None
Base Indicator:	Rigid	RoHS Status:	ROHS COMPLIANT
Bearing Grease Type:	Polyrex EM (-20F +300F)	Shaft Extension Location:	Pulley End
Blower:	None	Shaft Ground Indicator:	No Shaft Grounding

<b>Current @ Voltage:</b>	3.500 A @ 200.0 V	<b>Shaft Rotation:</b>	Reversible
<b>Design Code:</b>	B	<b>Shaft Slinger Indicator:</b>	No Slinger
<b>Drip Cover:</b>	No Drip Cover	<b>Speed Code:</b>	Single Speed
<b>Duty Rating:</b>	CONT	<b>Motor Standards:</b>	NEMA
<b>Electrically Isolated Bearing:</b>	Not Electrically Isolated	<b>Starting Method:</b>	Direct on line
<b>Feedback Device:</b>	NO FEEDBACK	<b>Thermal Device - Bearing:</b>	None
<b>Front Face Code:</b>	Standard	<b>Thermal Device - Winding:</b>	None
<b>Front Shaft Indicator:</b>	None	<b>Vibration Sensor Indicator:</b>	No Vibration Sensor
<b>Heater Indicator:</b>	No Heater	<b>Winding Thermal 1:</b>	None
<b>Insulation Class:</b>	F	<b>Winding Thermal 2:</b>	None

<b>Nameplate NP3441L</b>										
<b>CAT.NO.</b>	CEM3546-8									
<b>SPEC.</b>	35A012M848G1									
<b>HP</b>	1									
<b>VOLTS</b>	200									
<b>AMP</b>	3.5									
<b>RPM</b>	1760									
<b>FRAME</b>	56C					<b>HZ</b>	60		<b>PH</b>	3
<b>SER.F.</b>	1.15			<b>CODE</b>	L	<b>DES</b>	B		<b>CL</b>	F
<b>NEMA-NOM-EFF</b>	85.5			<b>PF</b>	71					
<b>RATING</b>	40C AMB-CONT									
<b>CC</b>	010A					<b>USABLE AT 208V</b>				
<b>DE</b>	6205					<b>ODE</b>	6203			
<b>ENCL</b>	TEFC			<b>SN</b>						
<b>VPWM INVERTER READY</b>										
CT6-60H(10:1)VT3-60H(20:1)										

**AC Induction Motor Performance Data**

Record # 32066

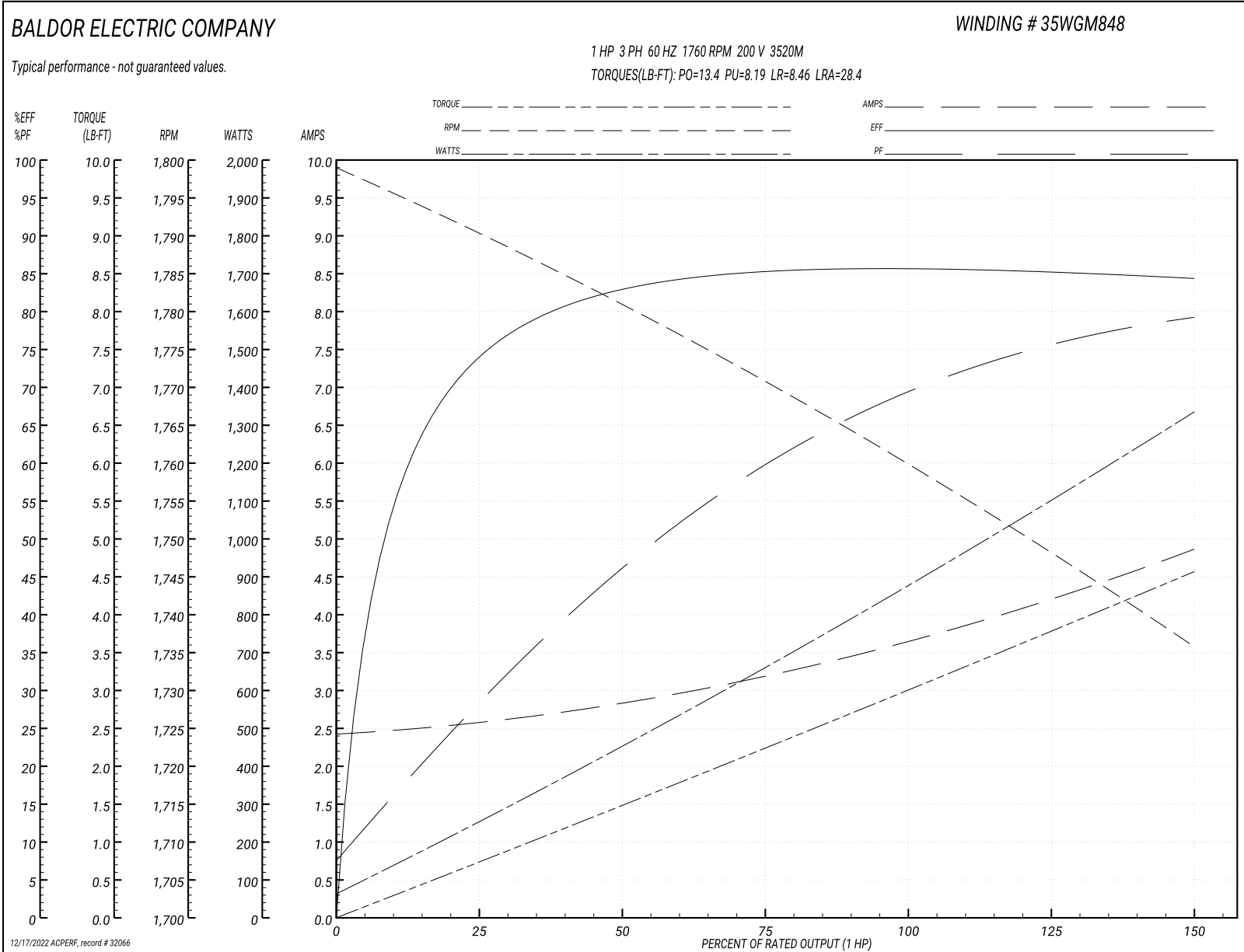
Typical performance - not guaranteed values

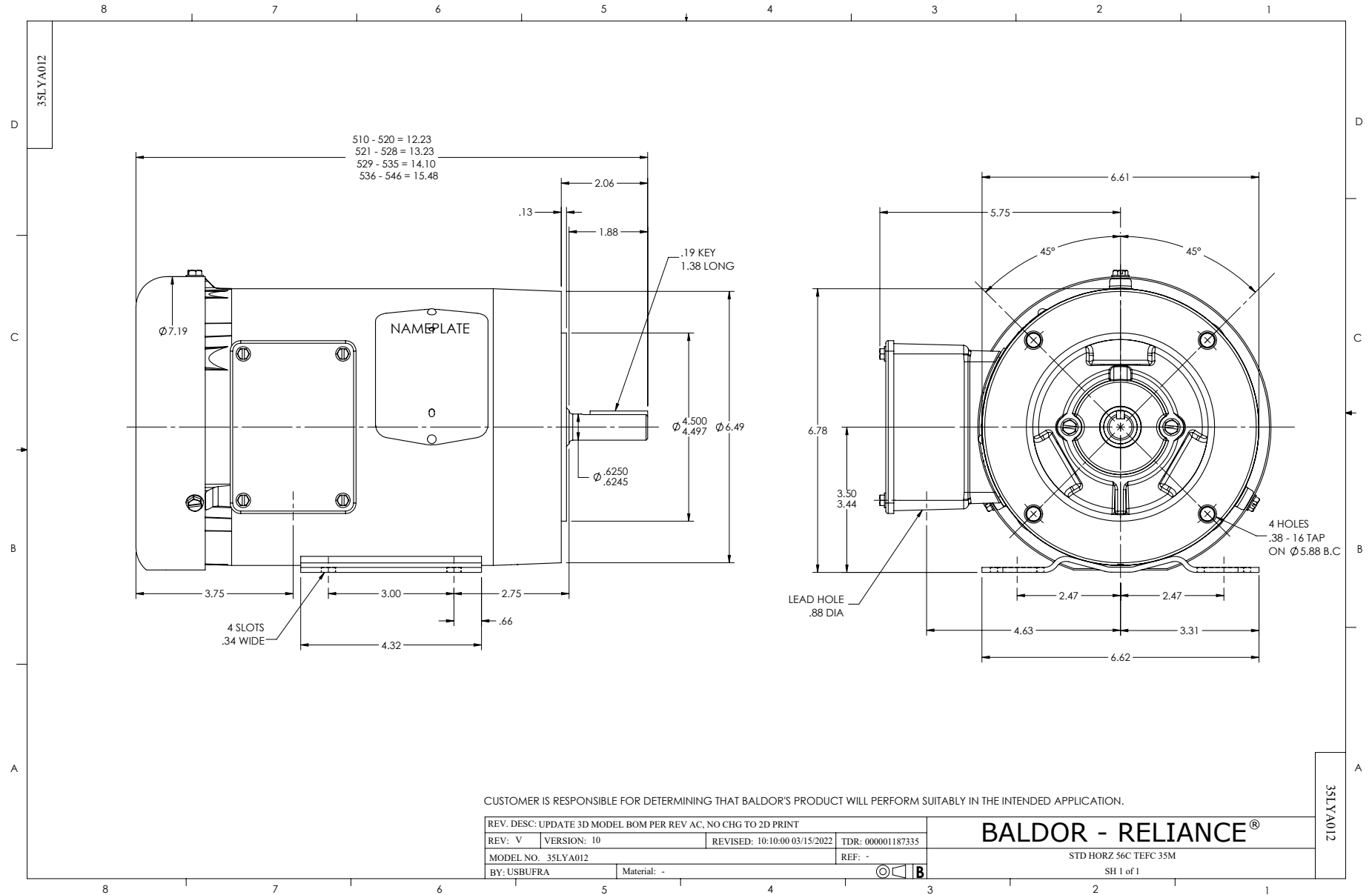
<b>Winding: 35WGM848-R001</b>		<b>Type: 3520M</b>		<b>Enclosure: TEFC</b>	
<b>Nameplate Data</b>			<b>200 V, 60 Hz: Single Voltage Motor</b>		
<b>Rated Output (HP)</b>	1	<b>Full Load Torque</b>	2.99 LB-FT		
<b>Volts</b>	200	<b>Start Configuration</b>	direct on line		
<b>Full Load Amps</b>	3.5	<b>Breakdown Torque</b>	13.4 LB-FT		
<b>R.P.M.</b>	1760	<b>Pull-up Torque</b>	8.19 LB-FT		
<b>Hz</b>	60	<b>Phase</b>	3	<b>Locked-rotor Torque</b>	8.46 LB-FT
<b>NEMA Design Code</b>	B	<b>KVA Code</b>	L	<b>Starting Current</b>	28.4 A
<b>Service Factor (S.F.)</b>	1.15	<b>No-load Current</b>	2.45 A		
<b>NEMA Nom. Eff.</b>	85.5	<b>Power Factor</b>	71	<b>Line-line Res. @ 25°C</b>	2.89 Ω
<b>Rating - Duty</b>	40C AMB-CONT		<b>Temp. Rise @ Rated Load</b>	36°C	
<b>S.F. Amps</b>			<b>Temp. Rise @ S.F. Load</b>	42°C	
			<b>Locked-rotor Power Factor</b>	54.1	
			<b>Rotor inertia</b>	0.118 LB-FT <sup>2</sup>	

**Load Characteristics 200 V, 60 Hz, 1 HP**

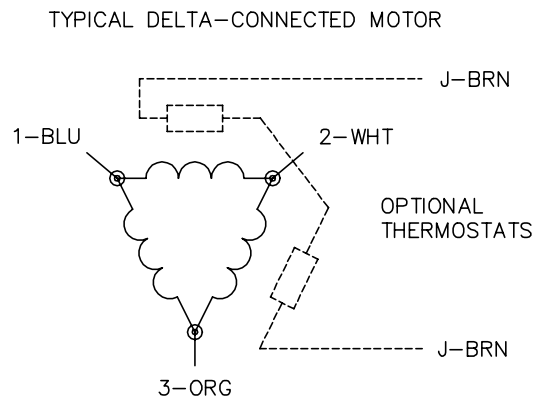
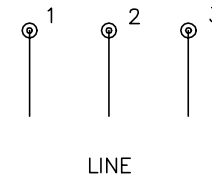
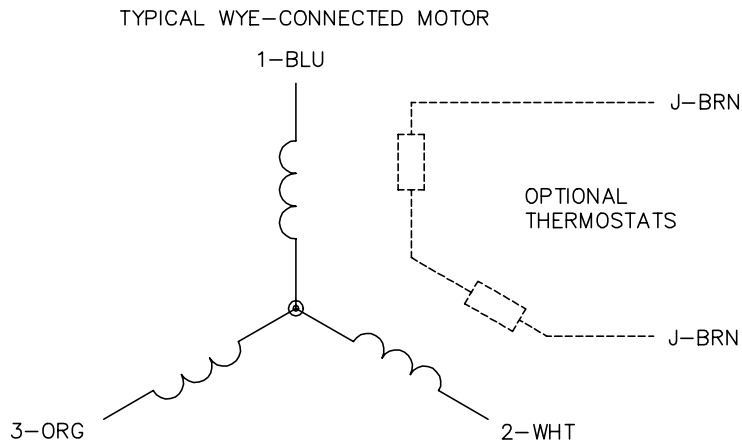
<b>% of Rated Load</b>	<b>25</b>	<b>50</b>	<b>75</b>	<b>100</b>	<b>125</b>	<b>150</b>	<b>S.F.</b>
<b>Power Factor</b>	29	46	60	69	75	80	75
<b>Efficiency</b>	74	83.1	85.3	85.8	85.3	84.4	85.5
<b>Speed</b>	1790	1781	1771	1760	1748	1736	1753
<b>Line amperes</b>	2.54	2.84	3.19	3.65	4.21	4.85	3.86

Performance Graph at 200V, 60Hz, 1.0HP Typical performance - Not guaranteed values





CD0006



NOTES:

1. THREE LEAD MOTOR MAY BE EITHER WYE CONNECTED OR DELTA CONNECTED.
2. INTERCHANGE ANY TWO LINE LEADS TO REVERSE ROTATION.
3. OPTIONAL THERMOSTATS ARE PROVIDED WHEN SPECIFIED.
4. ACTUAL NUMBER OF INTERNAL PARALLEL CIRCUITS MAY VARY.
5. LEAD COLORS ARE OPTIONAL. LEADS MUST BE NUMBERED AS SHOWN.

CD0006

REV. DESC: ADD CLASS CONN00000007		
REV. LTR: E	VERSION: 01	TDR: 000001099922
FILE: \AAA\00005\141	REVISED: 10:24:49 02/19/2019	BY: ENBRIRO
MTL: -	© □	

**BALDOR - RELIANCE®**

3PH, SV, 3 LEADS, WYE OR DELTA CONNECTED

SH 1 of 1