

BALDOR® • RELIANCE 

Product Information Packet

VNM3538

.5HP, 1720RPM, 3PH, 60HZ, 56C, 3416M, TENV, F1

Part Detail							
Revision:	-	Status:	PRD/A	Change #:		Proprietary:	No
Type:	AC	Elec. Spec:	34WGR706	CD Diagram:	CD0005	Mfg Plant:	
Mech. Spec:	34K013	Layout:	34LYK013	Poles:	04	Created Date:	01-29-2021
Base:	N	Eff. Date:	02-18-2021	Leads:	9#18		

Specs			
Catalog Number:	VNM3538	Heater Indicator:	No Heater
Enclosure:	TENV	Insulation Class:	F
Frame:	56C	Inverter Code:	Not Inverter
Frame Material:	Steel	KVA Code:	J
Motor Letter Type:	Three Phase	Lifting Lugs:	No Lifting Lugs
Output @ Frequency:	.500 HP @ 60 HZ	Locked Bearing Indicator:	Locked Bearing
Synchronous Speed @ Frequency:	1800 RPM @ 60 HZ	Motor Lead Quantity/Wire Size:	9 @ 18 AWG
Voltage @ Frequency:	208.0 V @ 60 HZ	Motor Lead Exit:	Ko Box
	230.0 V @ 60 HZ	Motor Lead Termination:	Flying Leads
	460.0 V @ 60 HZ	Motor Type:	3416M
XP Class and Group:	None	Mounting Arrangement:	F1
XP Division:	Not Applicable	Power Factor:	75
Agency Approvals:	UR	Product Family:	General Purpose
	CSA	Pulley End Bearing Type:	Ball
Auxillary Box:	No Auxillary Box	Pulley Face Code:	C-Face
Auxillary Box Lead Termination:	None	Pulley Shaft Indicator:	Standard
Base Indicator:	No Mounting	Rodent Screen:	None
Bearing Grease Type:	Polyrex EM (-20F +300F)	RoHS Status:	ROHS COMPLIANT

Blower:	None	Shaft Extension Location:	Pulley End
Current @ Voltage:	.800 A @ 460.0 V	Shaft Ground Indicator:	No Shaft Grounding
	1.600 A @ 230.0 V	Shaft Rotation:	Reversible
	1.700 A @ 208.0 V	Shaft Slinger Indicator:	No Slinger
Design Code:	B	Speed Code:	Single Speed
Drip Cover:	No Drip Cover	Motor Standards:	NEMA
Duty Rating:	CONT	Starting Method:	Direct on line
Electrically Isolated Bearing:	Not Electrically Isolated	Thermal Device - Bearing:	None
Feedback Device:	NO FEEDBACK	Thermal Device - Winding:	None
Front Face Code:	Standard	Vibration Sensor Indicator:	No Vibration Sensor
Front Shaft Indicator:	None	Winding Thermal 1:	None
		Winding Thermal 2:	None

Nameplate NP1256L										
CAT.NO.	VNM3538									
SPEC.	34K013R706									
HP	.5									
VOLTS	208-230/460									
AMP	1.7-1.6/.8									
RPM	1720									
FRAME	56C				HZ	60			PH	3
SER.F.	1.00		CODE	J	DES	B		CLASS	F	
NEMA-NOM-EFF	75.5		PF	75						
RATING	40C AMB-CONT									
CC	USABLE AT 208V									
DE	6203				ODE	6203				
ENCL	TENV		SN							

Parts List		
Part Number	Description	Quantity
SA390536	SA 34K013R706	1.000 EA
RA380988	RA 34K013R706	1.000 EA
NS2512A01	INSULATOR, CONDUIT BOX X	1.000 EA
34CB3002A	CB CAST W/.88 DIA HOLE	1.000 EA
34GS1029A01	GASKET, CONDUIT BOX	1.000 EA
51XB1016A07	10-16 X 7/16 HXWSSLD SERTYB	2.000 EA
11XW1032G06	10-32 X .38, TAPTITE II, HEX WSHR SLTD U	1.000 EA
34EP3100A03SP	FR ENDPLATE, MACH	1.000 EA
HW5100A03	WAVY WASHER (W1543-017)	1.000 EA
34EP3300A24SP	PU ENDPLATE, MACH	1.000 EA
51XN1032A20	10-32 X 1 1/4 HX WS SL SR	2.000 EA
34CB4517	CB LID 4 MTG HOLES .22 DIA STAMPED, FOR	1.000 EA
34GS1031A01	GASKET, FLAT CONDUIT BOX LID (LEXIDE)	1.000 EA
51XW0832A07	8-32 X .44, TAPTITE II, HEX WSHR SLTD SE	4.000 EA
HW2501D13	KEY, 3/16 SQ X 1.375	1.000 EA
HA7000A04	KEY RETAINER 0.625 DIA SHAFTS	1.000 EA
MG1000G27	MED CHARCOAL METALLIC GREY 400-0096	0.014 GA
85XU0407S04	4X1/4 U DRIVE PIN STAINLESS	2.000 EA
HA3100A12	THRUBOLT 10-32 X 7.375	4.000 EA
LC0005E01	CONN.DIA./WARNING LABEL (LC0005/LB1119N)	1.000 EA
NP1256L	ALUM UL CSA CC INDUSTRIAL MOTOR A60	1.000 EA
35PA1066	PKG GRP, PRINT PK1001A01	1.000 EA
PK3083	STYROFOAM PACKING CRADLE	1.000 EA
PK3088	MICROFOAM, 8"X"8 PERF. SHEETS	1.000 EA

Parts List (continued)		
Part Number	Description	Quantity
MN416A01	TAG-INSTAL-MAINT no wire (2200bx) 4/22	1.000 EA

AC Induction Motor Performance Data

Record # 86433

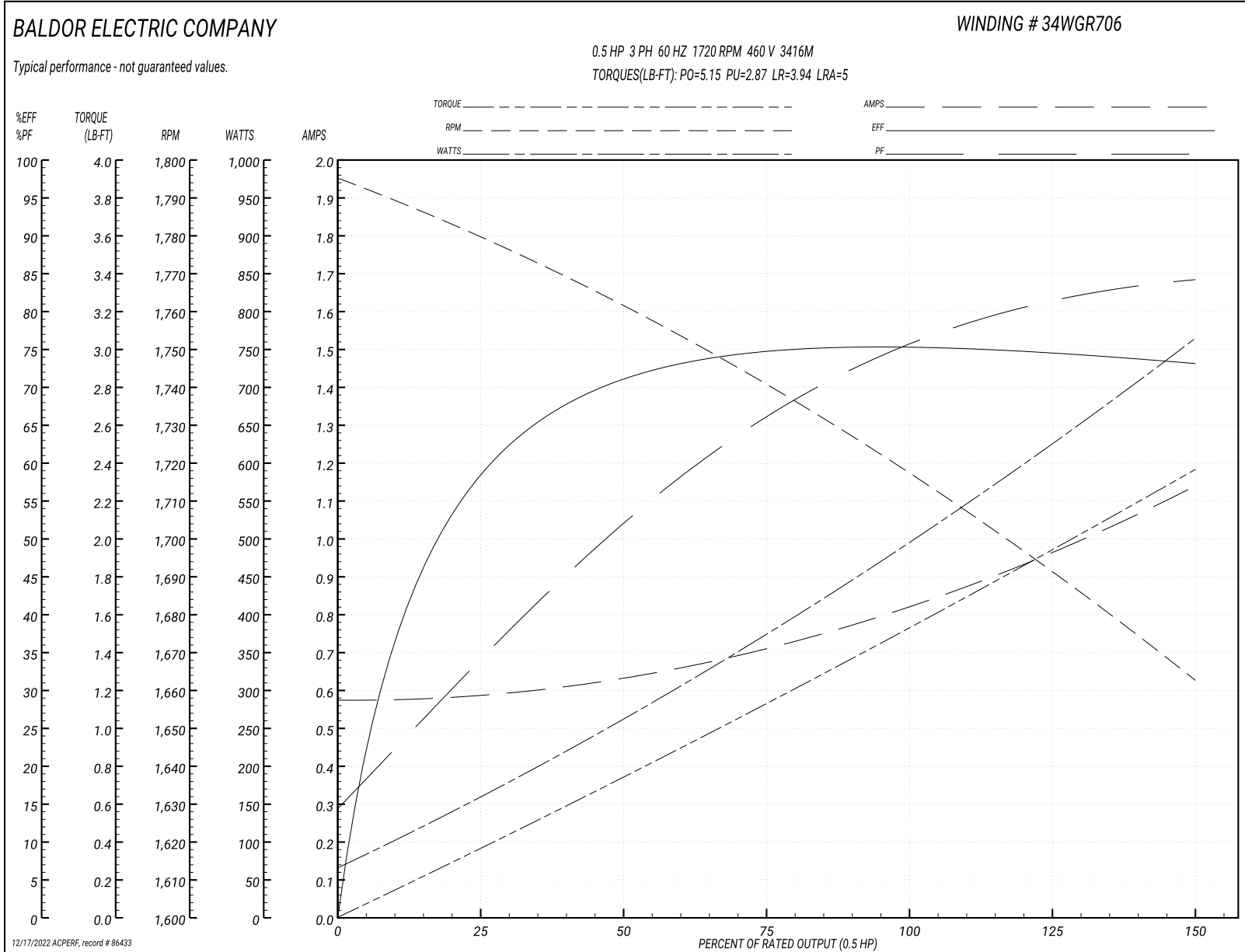
Typical performance - not guaranteed values

Winding: 34WGR706-R004		Type: 3416M		Enclosure: TENV	
Nameplate Data			460 V, 60 Hz: High Voltage Connection		
Rated Output (HP)	0.5	Full Load Torque	1.53 LB-FT		
Volts	208-230/460	Start Configuration	direct on line		
Full Load Amps	1.7-1.6/0.8	Breakdown Torque	5.15 LB-FT		
R.P.M.	1720	Pull-up Torque	2.87 LB-FT		
Hz	60 Phase	3	Locked-rotor Torque	3.94 LB-FT	
NEMA Design Code	B KVA Code	J	Starting Current	5 A	
Service Factor (S.F.)		1	No-load Current	0.577 A	
NEMA Nom. Eff.	75.5 Power Factor	75	Line-line Res. @ 25°C	48.9 Ω	
Rating - Duty	40C AMB-CONT		Temp. Rise @ Rated Load	78°C	
			Locked-rotor Power Factor	70.8	
			Rotor inertia	0.0381 lb-ft ²	

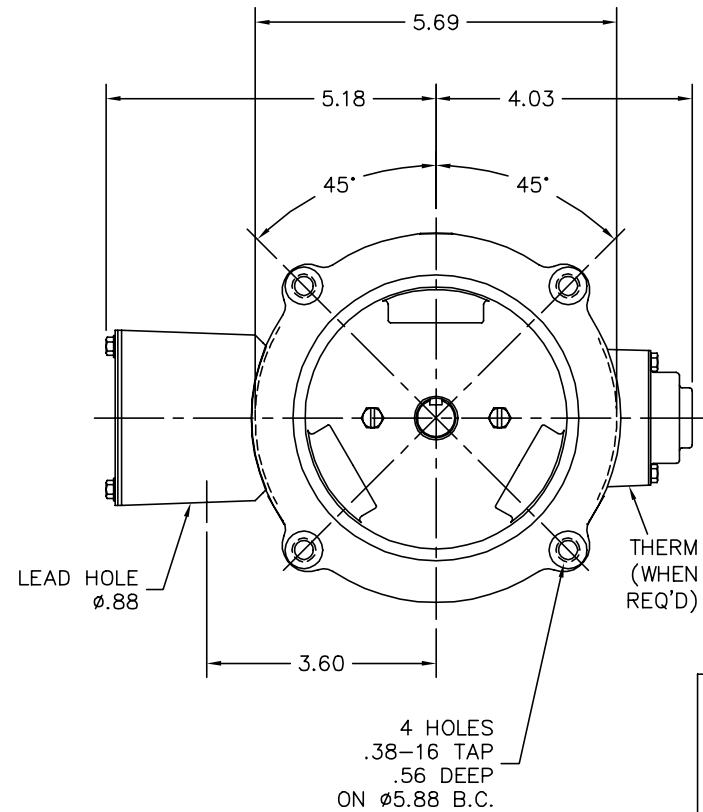
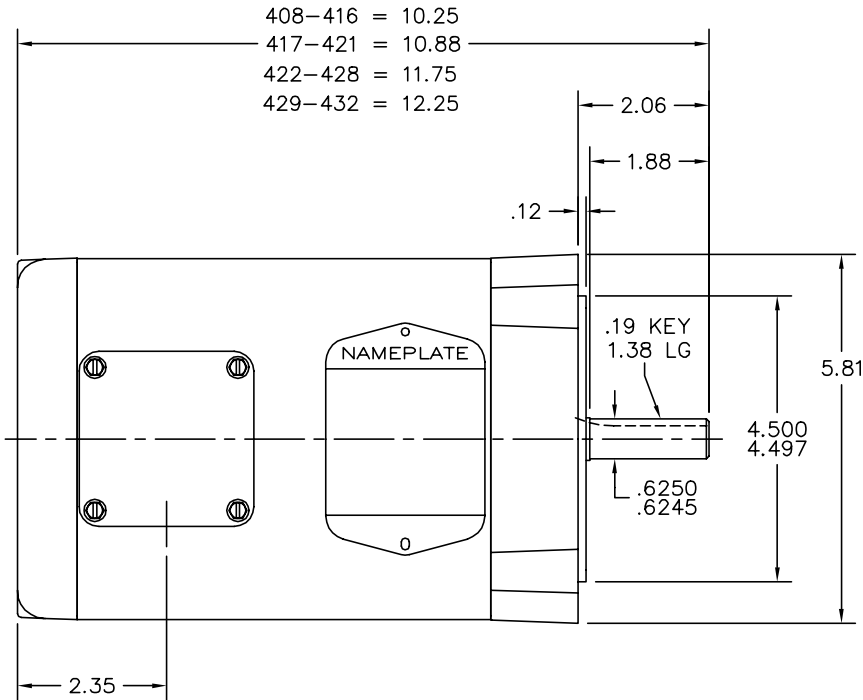
Load Characteristics 460 V, 60 Hz, 0.5 HP

% of Rated Load	25	50	75	100	125	150
Power Factor	34	53	66	75	81	84
Efficiency	58.6	70.6	74.6	75.5	74.8	72.9
Speed	1779	1761	1741	1718	1692	1662
Line amperes	0.583	0.631	0.712	0.824	0.962	1.14

Performance Graph at 460V, 60Hz, 0.5HP Typical performance - Not guaranteed values



34LYK013



34LYK013

CUSTOMER IS RESPONSIBLE FOR DETERMINING THAT BALDOR'S PRODUCT WILL PERFORM SUITABLY IN THE INTENDED APPLICATION.

REV. DESC: UPDAYE LAYOUT GRAPHICS		
REV. LTR: E	VERSION: 02	TDR: 000001189903
FILE: \AAA\00026\147	REVISED: 01:36:30 04/26/2022	BY: ENJFDO
MTL: -		

BALDOR - RELIANCE®

STD VERT 34M NEMA 56C TENV

SH 1 of 1

CD0005



LOW VOLTAGE
(2Y)



LINE

HIGH VOLTAGE
(1Y)



LINE

NOTES:

1. INTERCHANGE ANY TWO LINE LEADS TO REVERSE ROTATION.
2. OPTIONAL THERMOSTATS ARE PROVIDED WHEN SPECIFIED.
3. ACTUAL NUMBER OF INTERNAL PARALLEL CIRCUITS MAY BE A MULTIPLE OF THOSE SHOWN ABOVE.
4. LEAD COLORS ARE OPTIONAL. LEADS MUST ALWAYS BE NUMBERED AS SHOWN.

REV. DESC: REVISE TO SHOW OPTIONAL COLORS

REV. LTR: E BY: JLP

REVISED: 01/19/99 10:15

TDR: 0171435

90000

FILE: AAA00005140

MDL: -

MTL: -

BALDOR ELECTRIC Co.

3PH, DV, 9 LEADS

CD0005