

**BALDOR® • RELIANCE** 

**Product Information Packet**

**VM3537-57**

**.5HP,2850 IP44RPM,3PH,50HZ,56C,3413M**

Part Detail							
Revision:	L	Status:	PRD/A	Change #:		Proprietary:	No
Type:	AC	Elec. Spec:	34WGX538	CD Diagram:	CD0022	Mfg Plant:	
Mech. Spec:	34A063	Layout:	34LYA063	Poles:	02	Created Date:	09-08-2011
Base:	N	Eff. Date:	07-12-2022	Leads:	6#18		

Specs			
Catalog Number:	VM3537-57	Heater Indicator:	No Heater
Enclosure:	TEFC	Insulation Class:	F
Frame:	56C	Inverter Code:	Not Inverter
Frame Material:	Steel	KVA Code:	L
Motor Letter Type:	Three Phase	Lifting Lugs:	No Lifting Lugs
Output @ Frequency:	.500 HP @ 50 HZ	Locked Bearing Indicator:	Locked Bearing
Synchronous Speed @ Frequency:	3000 RPM @ 50 HZ	Motor Lead Quantity/Wire Size:	6 @ 18 AWG
Voltage @ Frequency:	230.0 V @ 50 HZ	Motor Lead Exit:	Ko Box
	400.0 V @ 50 HZ	Motor Lead Termination:	Flying Leads
XP Class and Group:	None	Motor Type:	3413M
XP Division:	Not Applicable	Mounting Arrangement:	F1
Agency Approvals:	CE	Power Factor:	74
	CSA	Product Family:	General Purpose
	UR	Pulley End Bearing Type:	Ball
	WEEE	Pulley Face Code:	C-Face
Auxillary Box:	No Auxillary Box	Pulley Shaft Indicator:	Standard
Auxillary Box Lead Termination:	None	Rodent Screen:	None
Base Indicator:	No Mounting	RoHS Status:	ROHS COMPLIANT

<b>Bearing Grease Type:</b>	Polyrex EM (-20F +300F)	<b>Shaft Extension Location:</b>	Pulley End
<b>Blower:</b>	None	<b>Shaft Ground Indicator:</b>	No Shaft Grounding
<b>Current @ Voltage:</b>	1.900 A @ 230.0 V	<b>Shaft Rotation:</b>	Reversible
	1.100 A @ 400.0 V	<b>Shaft Slinger Indicator:</b>	No Slinger
<b>Design Code:</b>	B	<b>Speed Code:</b>	Single Speed
<b>Drip Cover:</b>	No Drip Cover	<b>Motor Standards:</b>	NEMA
<b>Duty Rating:</b>	CONT	<b>Starting Method:</b>	Direct on line
<b>Electrically Isolated Bearing:</b>	Not Electrically Isolated	<b>Thermal Device - Bearing:</b>	None
<b>Feedback Device:</b>	NO FEEDBACK	<b>Thermal Device - Winding:</b>	None
<b>Front Face Code:</b>	Standard	<b>Vibration Sensor Indicator:</b>	No Vibration Sensor
<b>Front Shaft Indicator:</b>	None	<b>Winding Thermal 1:</b>	None
		<b>Winding Thermal 2:</b>	None

Nameplate NP1372L												
CAT.NO.	VM3537-57											
SPEC.	34A063X538G1											
HP	.5 /KW .37											
VOLTS	230/400											
AMP	1.9/1.1 SFA 2.1/1.2											
RPM	2850 1/MIN IP44 IC411 KG10											
FRAME	56C					HZ	50			PH	3	
SER.F.	1.25					CODE	L		DES	B	CL	F
NEMA-NOM-EFF	72					PF	74					
RATING	40C AMB-S1 CONT											
CC												USABLE AT 208V
DE	6203					ODE	6203					
ENCL	TEFC					SN						
	IE2-68.7(75%)62.0(50%)											

Parts List		
Part Number	Description	Quantity
SA230330	SA 34A063X538G1	1.000 EA
RA217360	RA 34A063X538G1	1.000 EA
NS2512A01	INSULATOR, CONDUIT BOX X	1.000 EA
34CB3002A	CB CAST W/.88 DIA HOLE	1.000 EA
34GS1029A01	GASKET, CONDUIT BOX	1.000 EA
51XB1016A07	10-16 X 7/16 HXWSSLD SERTYB	2.000 EA
11XW1032G06	10-32 X .38, TAPTITE II, HEX WSHR SLTD U	1.000 EA
34EP3102A01SP	FR ENDPLATE, MACH	1.000 EA
HW5100A03	WAVY WASHER (W1543-017)	1.000 EA
34EP3300A24SP	PU ENDPLATE, MACH	1.000 EA
51XN1032A20	10-32 X 1 1/4 HX WS SL SR	2.000 EA
34FN3002A01SP	EXTERNAL FAN, PLASTIC, .637/.639 HUB W/	1.000 EA
51XW1032A06	10-32 X .38, TAPTITE II, HEX WSHR SLTD S	3.000 EA
34CB4517	CB LID 4 MTG HOLES .22 DIA STAMPED, FOR	1.000 EA
34GS1031A01	GASKET, FLAT CONDUIT BOX LID (LEXIDE)	1.000 EA
51XW0832A07	8-32 X .44, TAPTITE II, HEX WSHR SLTD SE	4.000 EA
HW2501D13	KEY, 3/16 SQ X 1.375	1.000 EA
HW3001B02	BRASS CUP WASHER W/GROUND SYMBOL TAB,	1.000 EA
34FH4002A01SP	IEC FH NO GREASER PRIMED	1.000 EA
HA7000A04	KEY RETAINER 0.625 DIA SHAFTS	1.000 EA
MG1000G27	MED CHARCOAL METALLIC GREY 400-0096	0.014 GA
HA4067A01	PUSH IN DRAIN FITTING (BLACK)	1.000 EA
HA4067A01	PUSH IN DRAIN FITTING (BLACK)	1.000 EA
HA3100A12	THRUBOLT 10-32 X 7.375	4.000 EA

<b>Parts List (continued)</b>		
<b>Part Number</b>	<b>Description</b>	<b>Quantity</b>
LB1119N	WARNING LABEL	1.000 EA
LC0034	CONNECTION LABEL	1.000 EA
MN416A01	TAG-INSTAL-MAINT no wire (2200bx) 4/22	1.000 EA
NP1372L	ALUM UL CSA CE CC	1.000 EA
35PA1066	PKG GRP, PRINT PK1001A01	1.000 EA
LB1617	UKCA COMPLIANCE STICKER	1.000 EA

**AC Induction Motor Performance Data**

Record # 35153

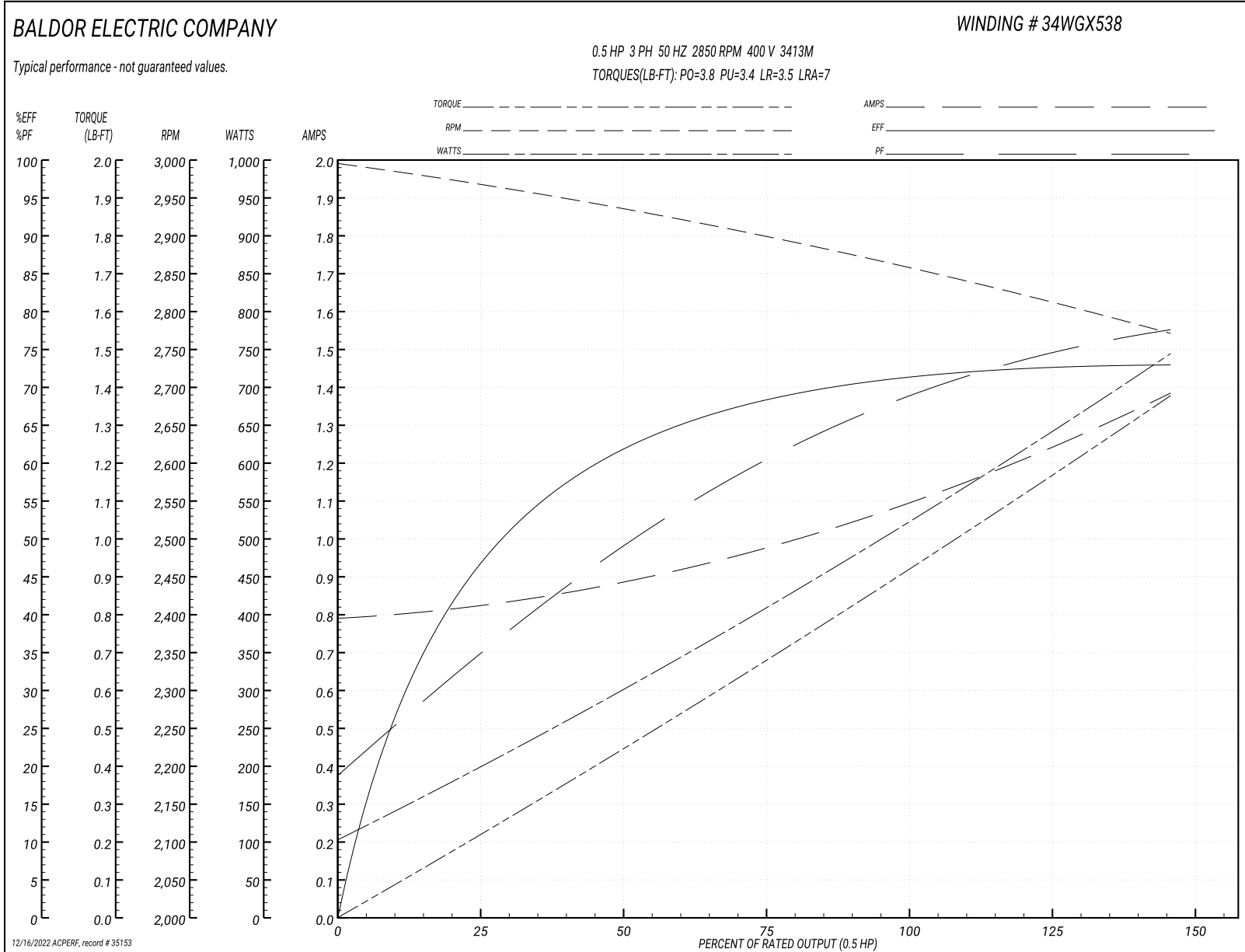
Typical performance - not guaranteed values

<b>Winding: 34WGX538-R003</b>		<b>Type: 3413M</b>		<b>Enclosure: TEFC</b>	
<b>Nameplate Data</b>			<b>400 V, 50 Hz: High Voltage Connection</b>		
<b>Rated Output (HP)</b>	.5	<b>Full Load Torque</b>	0.92 LB-FT		
<b>Volts</b>	230/400	<b>Start Configuration</b>	direct on line		
<b>Full Load Amps</b>	1.9/1.1	<b>Breakdown Torque</b>	3.8 LB-FT		
<b>R.P.M.</b>	2850	<b>Pull-up Torque</b>	3.4 LB-FT		
<b>Hz</b>	50 <b>Phase</b>	3	<b>Locked-rotor Torque</b>	3.5 LB-FT	
<b>NEMA Design Code</b>	<b>B KVA Code</b>	L	<b>Starting Current</b>	7 A	
<b>Service Factor (S.F.)</b>	1.25		<b>No-load Current</b>	0.8 A	
<b>NEMA Nom. Eff.</b>	<b>72 Power Factor</b>	74	<b>Line-line Res. @ 25°C</b>	27 Ω	
<b>Rating - Duty</b>	40C AMB-CONT		<b>Temp. Rise @ Rated Load</b>	63°C	
<b>S.F. Amps</b>	2.1/1.2		<b>Temp. Rise @ S.F. Load</b>	75°C	
			<b>Locked-rotor Power Factor</b>	78	
			<b>Rotor inertia</b>	0.0121 LB-FT <sup>2</sup>	

**Load Characteristics 400 V, 50 Hz, 0.5 HP**

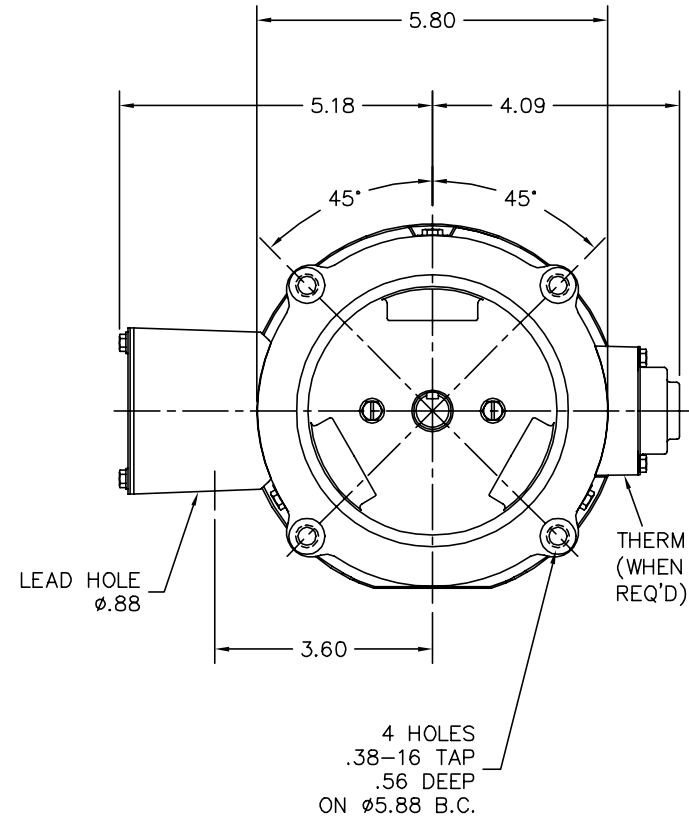
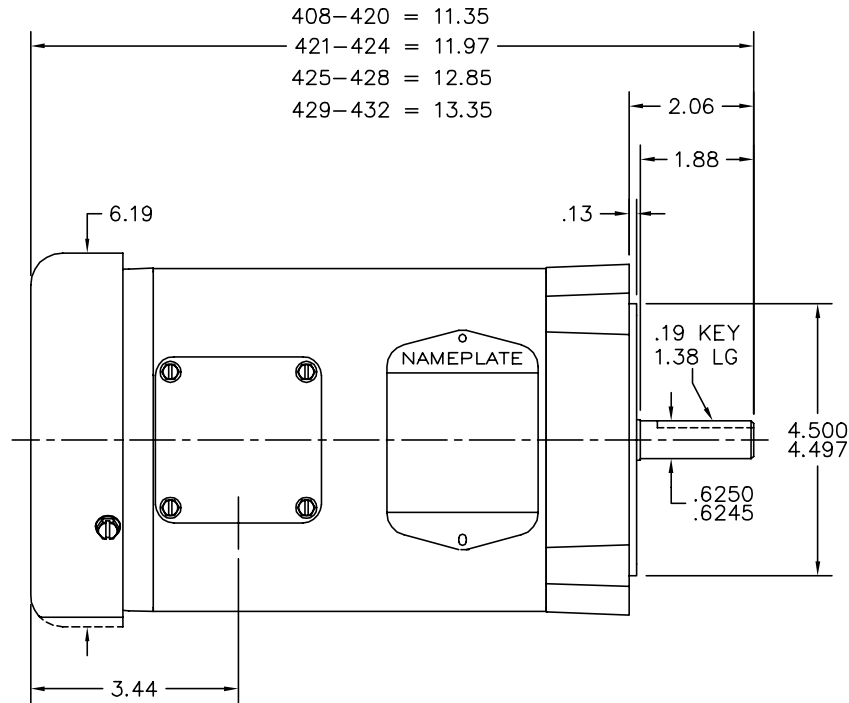
<b>% of Rated Load</b>	<b>25</b>	<b>50</b>	<b>75</b>	<b>100</b>	<b>125</b>	<b>150</b>	<b>S.F.</b>
<b>Power Factor</b>	34	49	61	70	77	81	77
<b>Efficiency</b>	46.8	62	68.7	71.7	72.8	72.7	72.8
<b>Speed</b>	2985	2927	2893	2857	2817	2772	2817
<b>Line amperes</b>	0.8	0.9	1	1.1	1.2	1.4	1.2

Performance Graph at 400V, 50Hz, 0.5HP Typical performance - Not guaranteed values






34LYA063



CUSTOMER IS RESPONSIBLE FOR DETERMINING THAT BALDOR'S PRODUCT WILL PERFORM SUITABLY IN THE INTENDED APPLICATION.

REV. DESC: UPDAYE LAYOUT GRAPHICS		
REV. LTR: M	VERSION: 03	TDR: 000001189834
FILE: \AAA\00000\724	REVISED: 02:47:09 04/25/2022	BY: ENJFDO
MTL: -		

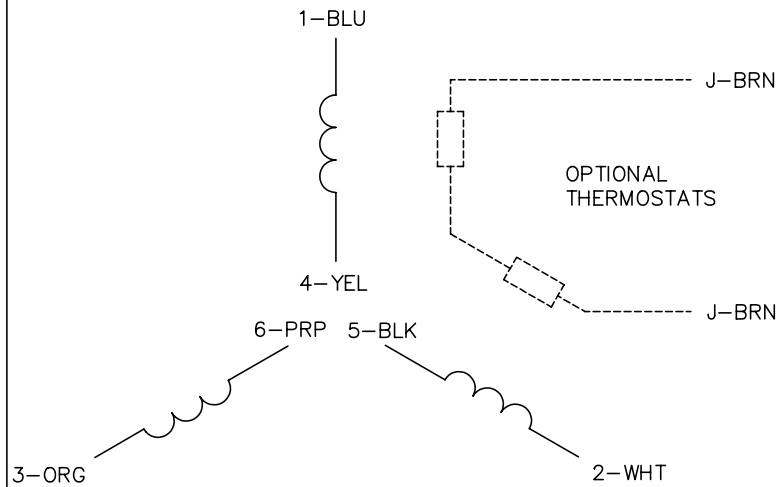
**BALDOR - RELIANCE®**

STD VERT 34M NEMA 56C TEFC

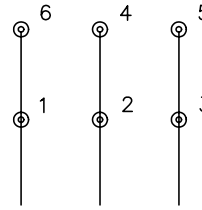
SH 1 of 1

34LYA063

CD0022

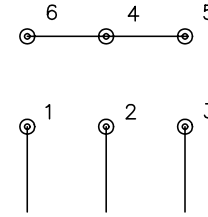


LOW VOLTAGE  
(1D)



LINE

HIGH VOLTAGE  
(1Y)



LINE

NOTES:

1. INTERCHANGE ANY TWO LINE LEADS TO REVERSE ROTATION.
2. OPTIONAL THERMOSTATS ARE PROVIDED WHEN SPECIFIED.
3. ACTUAL NUMBER OF INTERNAL PARALLEL CIRCUITS MAY BE A MULTIPLE OF THOSE SHOWN ABOVE.
4. LEAD COLORS ARE OPTIONAL. LEADS MUST ALWAYS BE NUMBERED AS SHOWN.

REV. DESC: REVISE TO SHOW OPTIONAL COLORS

REV. LTR: F

BY: JLP

REVISED: 01/21/99 3:54

TDR: 0171435

CD0022

FILE: AAA00005144

MDL: -

MTL: -

**BALDOR ELECTRIC Co.**

3PH, DV, 6 LEADS, DELTA/WYE CONNECTION

CD0022