



---

# Customer information packet

## VEM3561

3HP, 1760RPM, 3PH, 60HZ, 56C, 3632M, TEFC, F1, N

ELECTRIC MOTOR WHOLESAL.COM

Class - None

Division - Not Applicable

## Specifications

Enclosure	TEFC
Frame	56C
Frame Material	Steel
Frequency	60.00 Hz
Output @ Frequency	3.000 HP @ 60 HZ
Phase	3
Synchronous Speed @ Frequency	1800 RPM @ 60 HZ
Voltage @ Frequency	460.0 V @ 60 HZ 230.0 V @ 60 HZ
XP Class and Group	None
XP Division	Not Applicable
Agency Approvals	CSA CSA EEV UR
Ambient Temperature	40 °C
Auxillary Box	No Auxillary Box
Auxillary Box Lead Termination	None
Base Indicator	No Mounting
Bearing Grease Type	Polyrex EM (-20F +300F)
Blower	None
Current @ Voltage	4.200 A @ 460.0 V 8.400 A @ 230.0 V 9.000 A @ 208.0 V
Design Code	B
Drip Cover	No Drip Cover
Duty Rating	CONT
Efficiency @ 100% Load	89.5 %
Electrically Isolated Bearing	Not Electrically Isolated
Feedback Device	NO FEEDBACK
Front Face Code	Standard
Front Shaft Indicator	None
Heater Indicator	No Heater

## Part detail

Revision	H
Type	AC
Mech. spec.	36J035
Base	
Status	PRD/A
Elec. spec.	36WGS266
Layout	36LYJ035
Eff. date	12-07-2020
CD Diagram	CD0005
Poles	04
Leads	9#16
Proprietary	False
Created date	04-30-2015

High Voltage Full Load Amps	4.2 a
Insulation Class	F
Inverter Code	Inverter Ready
KVA Code	K
Lifting Lugs	No Lifting Lugs
Locked Bearing Indicator	Locked Bearing
Motor Lead Exit	Ko Box
Motor Lead Quantity/Wire Size	9 @ 16 AWG
Motor Lead Termination	Flying Leads
Motor Standards	NEMA
Motor Type	3632M
Mounting Arrangement	F1
Number of Poles	4
Overall Length	15.62 IN
Power Factor	75
Product Family	General Purpose
Pulley End Bearing Type	Ball
Pulley Face Code	C-Face
Pulley Shaft Indicator	Standard
Rodent Screen	None
Service Factor	1.15
Shaft Diameter	0.625 IN
Shaft Extension Location	Pulley End
Shaft Ground Indicator	No Shaft Grounding
Shaft Rotation	Reversible
Shaft Slinger Indicator	No Slinger
Speed	1760 rpm
Speed Code	Single Speed
Starting Method	Direct on line
Thermal Device - Bearing	None
Thermal Device - Winding	None
Vibration Sensor Indicator	No Vibration Sensor
Winding Thermal 1	None
Winding Thermal 2	None

**Nameplate**

**NP3441LUA**

<b>CAT.NO.</b>	VEM3561						
<b>SPEC</b>	36J035S266G3						
<b>HP</b>	3						
<b>VOLTS</b>	230/460						
<b>AMPS</b>	8.4/4.2						
<b>RPM</b>	1760						
<b>FRAME</b>	56C		<b>HZ</b>	60		<b>PH</b>	3
<b>SF</b>	1.15	<b>CODE</b>	K	<b>DES</b>	B	<b>CLASS</b>	F
<b>NEMA NOM. EFF</b>	89.5	<b>PF</b>	75				
<b>RATING</b>	40C AMB-CONT						
<b>CC</b>	010A	<b>USABLE AT 208V</b>				9	
<b>ENCL</b>	TEFC	<b>SER</b>					
<b>DE</b>	6206	<b>ODE</b>	6205				
<b>VPWM INVERTER READY</b>							
<b>CT6-60H(10:1)VT3-60H(20:1)</b>	50Hz 3HP 190/380V 9.6/4.8A						SF1.0

## Parts list

Part number	Description	Quantity
SA300133	SA 36J035S266G3	1.000 ea
RA287179	RA 36J035S266G3	1.000 ea
36FN3000C01SP	EXFN, PLASTIC, 5.25 OD, .912 ID	1.000 ea
36CB3004	36 CB CASTING W/1.09 DIA LEAD HOLE @ 6:0	1.000 ea
36GS1000SP	GASKET-CONDUIT BOX, .06 THICK #SV-330 LE	1.000 ea
51XB1016A08	10-16X 1/2HXWSSLD SERTYB	2.000 ea
11XW1032G06	10-32 X .38, TAPTITE II, HEX WSHR SLTD U	1.000 ea
HW3001B01	BRASS CUP WASHER, FOR #10 SCREW	1.000 ea
36EP3104A01	FREP MACH ASSEMBLY FOR ROUTING	1.000 ea
HW4500A01	1641B(ALEMITE)400 UNIV, GREASE FITT	1.000 ea
HW5100A05	WVY WSHR F/205 & 304 BRGS	1.000 ea
36EP1301A01	PU ENDPLATE, MACH	1.000 ea
HW4500A01	1641B(ALEMITE)400 UNIV, GREASE FITT	1.000 ea
10XN2520A24	1/4-20X 1 1/2 HEX HD X	4.000 ea
HW1001A25	LOCKWASHER 1/4, ZINC PLT .493 OD, .255 I	4.000 ea
51XB1214A16	12-14X1.00 HXWSSLD SERTYB	1.000 ea
36FH4009A102	IEC FH GREASER PRIMED	1.000 ea
51XW1032A06	10-32 X .38, TAPTITE II, HEX WSHR SLTD S	3.000 ea
36CB4516	750LIPPED CB LID - GALVANNEAL	1.000 ea
37GS1001SP	GASKET, CONDUIT BOX LID, .06 THICK LEXID	1.000 ea
51XW0832A07	8-32 X .44, TAPTITE II, HEX WSHR SLTD SE	4.000 ea
HW2501D13	KEY, 3/16 SQ X 1.375	1.000 ea
HA7000A04	KEY RETAINER 0.625 DIA SHAFTS	1.000 ea
85XU0407S04	4X1/4 U DRIVE PIN STAINLESS	2.000 ea
MJ1000A02	GREASE, MOBIL POLYREX EM - 124047	0.050 lb
HA3101A25	THRUBOLT 1/4-20 X 11.000 OHIO ROD	4.000 ea
MG1000Y03	MUNSELL 2.53Y 6.70/ 4.60, GLOSS 20,	0.022 ga
LC0005E01	CONN.DIA./WARNING LABEL (LC0005/LB1119N)	1.000 ea
NP3441LUA	ALUM SUPER-E VPWM INV READY UL CSA-EEV C	1.000 ea
36PA1001	PKG GRP, PRINT PK1017A06	1.000 ea
PK3082	STYROFOAM CRADLE	1.000 ea

MN416A01

TAG-INSTAL-MAINT no wire (1200/bx) 3/19

1.000 ea

---

**AC Induction Motor Performance Data**

Record # 53364

Typical performance - not guaranteed values

Winding: 36WGS266-R006		Type: 3632M	Enclosure: TEFC	
<b>Nameplate Data</b>			<b>460 V, 60 Hz: High Voltage Connection</b>	
Rated Output (HP)		3	Full Load Torque	8.8 LB-FT
Volts		230/460	Start Configuration	direct on line
Full Load Amps		8.4/4.2	Breakdown Torque	37.6 LB-FT
R.P.M.		1760	Pull-up Torque	15.2 LB-FT
Hz	60 Phase	3	Locked-rotor Torque	21.7 LB-FT
NEMA Design Code	B KVA Code	K	Starting Current	32.7 A
Service Factor (S.F.)		1.15	No-load Current	2.3 A
NEMA Nom. Eff.	89.5 Power Factor	75	Line-line Res. @ 25°C	3.81 Ω
Rating - Duty		40C AMB-CONT	Temp. Rise @ Rated Load	44°C
S.F. Amps			Temp. Rise @ S.F. Load	52°C
			Locked-rotor Power Factor	42.2
			Rotor inertia	0.298 LB-FT <sup>2</sup>

**Load Characteristics 460 V, 60 Hz, 3 HP**

% of Rated Load	25	50	75	100	125	150	S.F.
Power Factor	35	55	68	75	80	82	77
Efficiency	81.1	87.8	89.6	89.8	89.7	88.2	89.2
Speed	1791	1783	1773	1764	1753	1741	1754
Line amperes	2.47	2.85	3.43	4.09	4.89	5.78	4.63

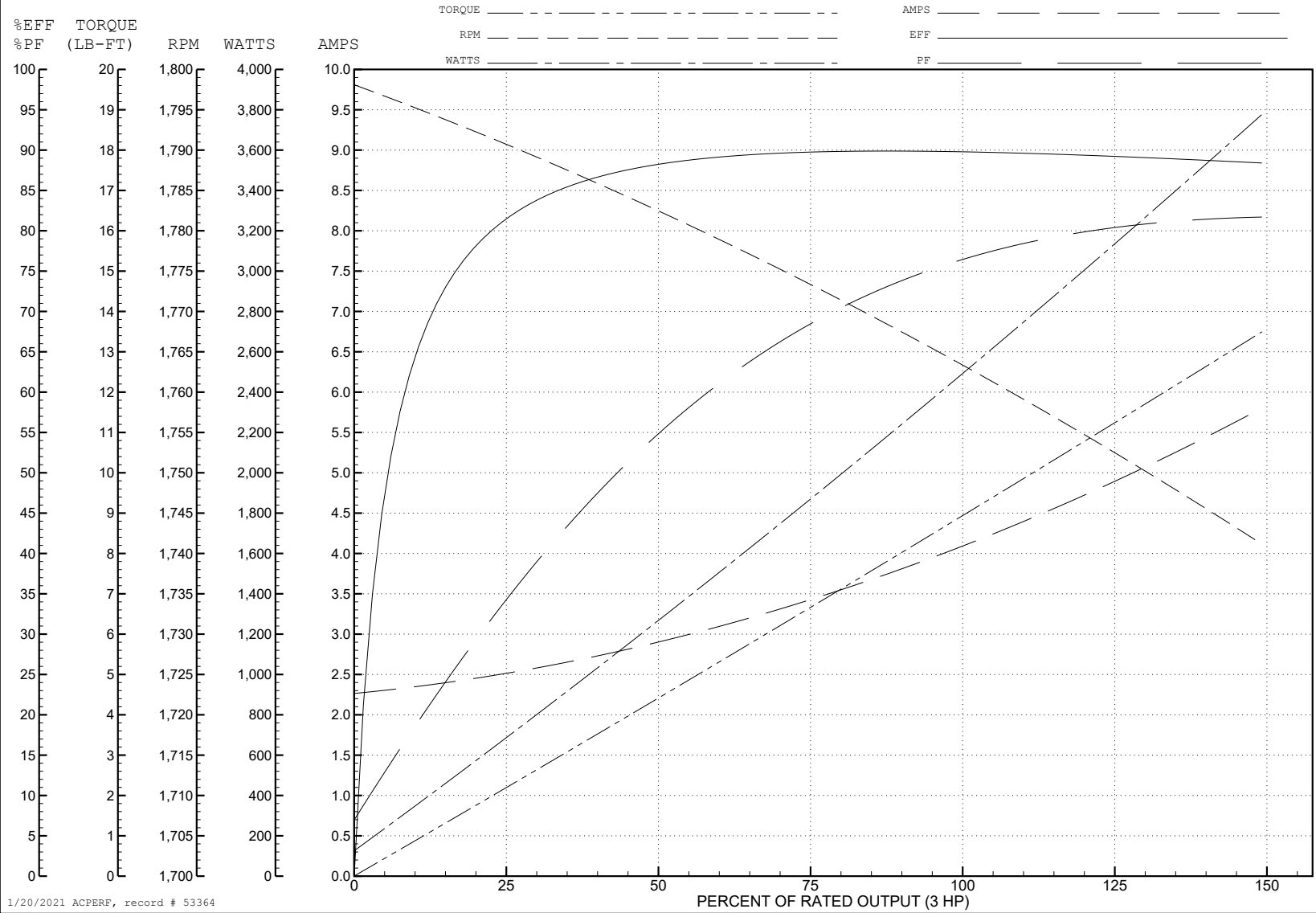
ABB Motors and Mechanical Inc.

WINDING # 36WGS266

3 HP 3 PH 60 HZ 1760 RPM 460 V 3632M

Typical performance - not guaranteed values.

TORQUES (LB-FT): PO=37.6 PU=15.2 LR=21.7 LRA=32.7



1/20/2021 ACPERF, record # 53364



**AC Induction Motor Performance Data**

Record # 57957

Typical performance - not guaranteed values

Winding: 36WGS266-R006		Type: 3632M	Enclosure: TEFC
<b>Nameplate Data</b>		<b>230 V, 60 Hz: Low Voltage Connection</b>	
Rated Output (HP)	3	Full Load Torque	8.8 LB-FT
Volts	230/460	Start Configuration	direct on line
Full Load Amps	8.4/4.2	Breakdown Torque	37.6 LB-FT
R.P.M.	1760	Pull-up Torque	15.2 LB-FT
Hz	60 Phase	Locked-rotor Torque	21.7 LB-FT
NEMA Design Code	B KVA Code	Starting Current	65.4 A
Service Factor (S.F.)	1.15	No-load Current	4.6 A
NEMA Nom. Eff.	89.5 Power Factor	Line-line Res. @ 25°C	0.953 Ω
Rating - Duty	40C AMB-CONT	Temp. Rise @ Rated Load	44°C
S.F. Amps		Temp. Rise @ S.F. Load	52°C
		Locked-rotor Power Factor	42.2
		Rotor inertia	0.298 LB-FT <sup>2</sup>

**Load Characteristics 230 V, 60 Hz, 3 HP**

% of Rated Load	25	50	75	100	125	150	S.F.
Power Factor	35	55	68	75	80	82	78
Efficiency	81.1	87.8	89.6	89.8	89.7	88.2	89.7
Speed	1791	1783	1773	1764	1753	1741	1757
Line amperes	4.94	5.7	6.86	8.18	9.78	11.6	9.14

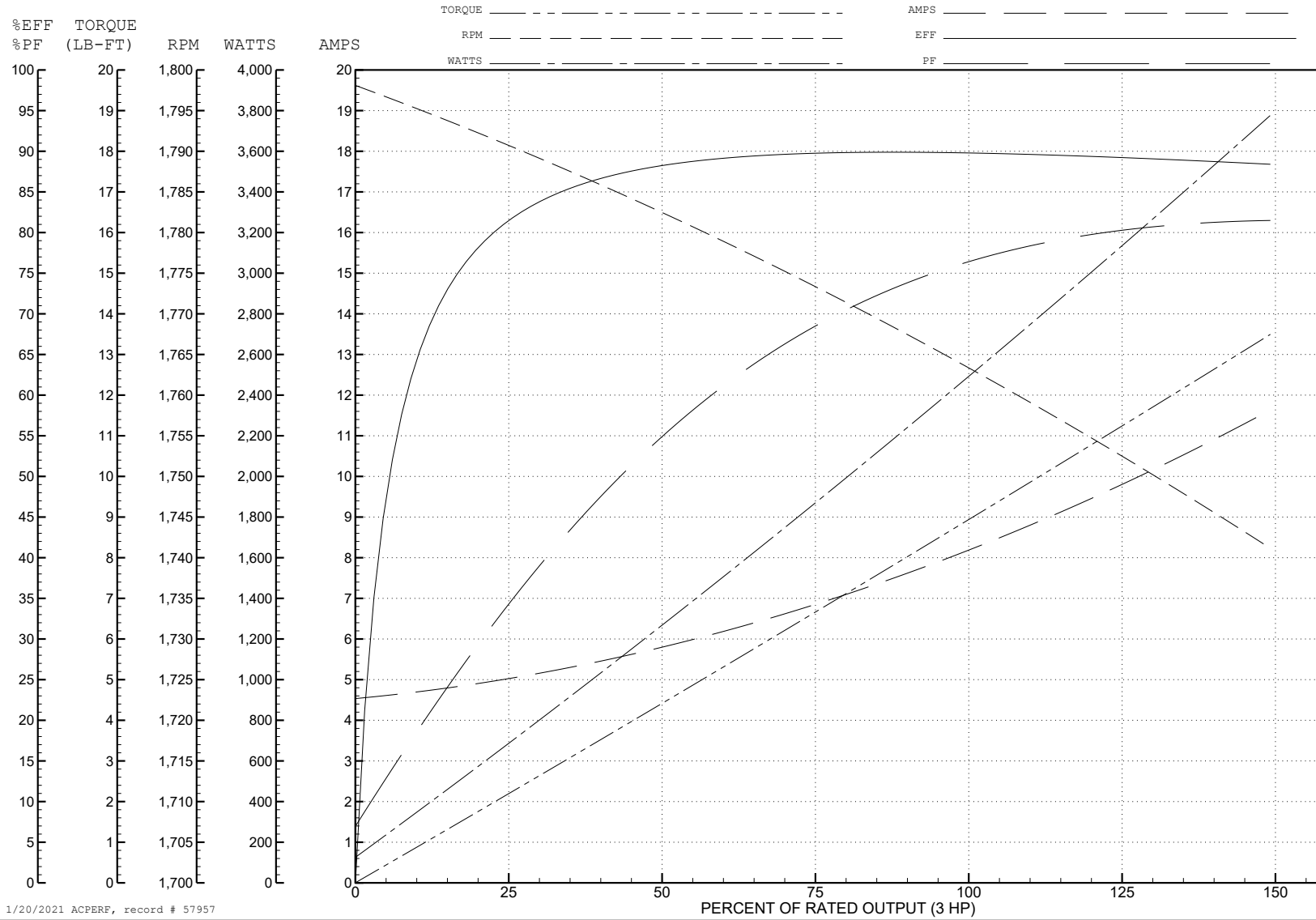
ABB Motors and Mechanical Inc.

WINDING # 36WGS266

Typical performance - not guaranteed values.

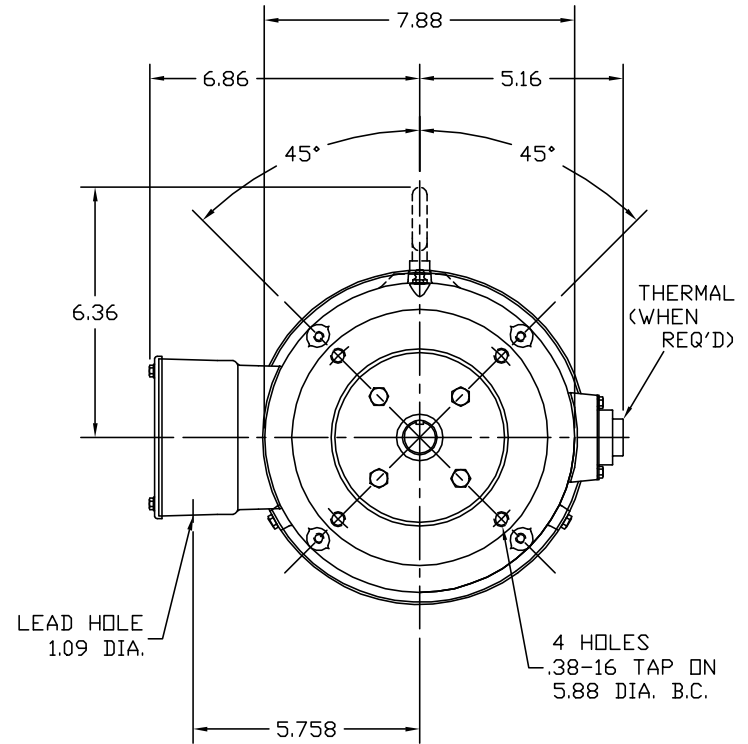
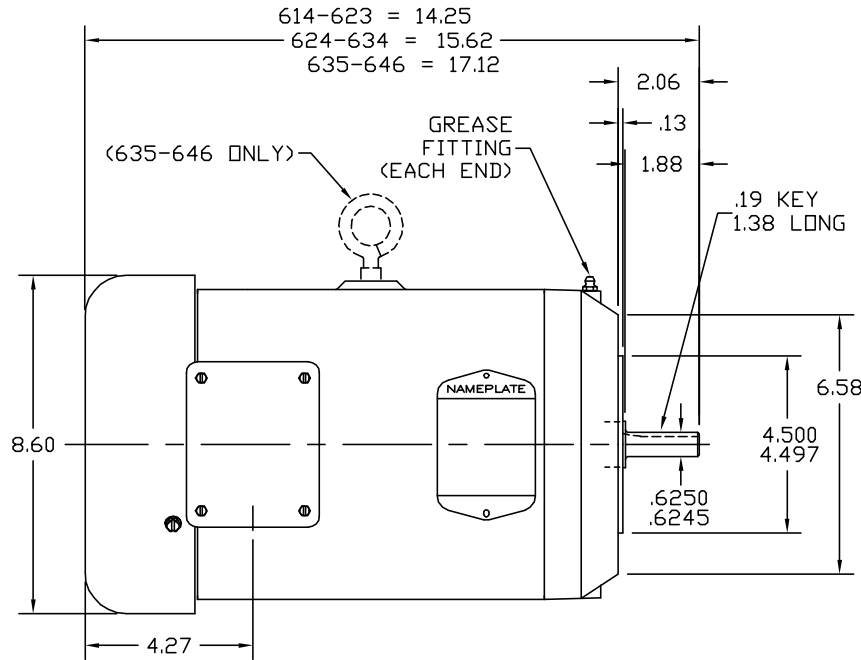
3 HP 3 PH 60 HZ 1760 RPM 230 V 3632M

TORQUES (LB-FT): PO=37.6 PU=15.2 LR=21.7 LRA=65.4



1/20/2021 ACPERF, record # 57957

36LYJ035



CUSTOMER IS RESPONSIBLE FOR DETERMINING THAT BALDOR'S PRODUCT WILL PERFORM SUITABLY IN THE INTENDED APPLICATION.

REV. DESC: UPDATE KOBX / KOLD & DESCRIPTION		
REV. LTR: D	VERSION: 02	TDR: 000000921153
FILE: \AAA\00017\758	REVISED: 02:37:43 04/29/2015	BY: ENBRAM0
MTL: -		© □

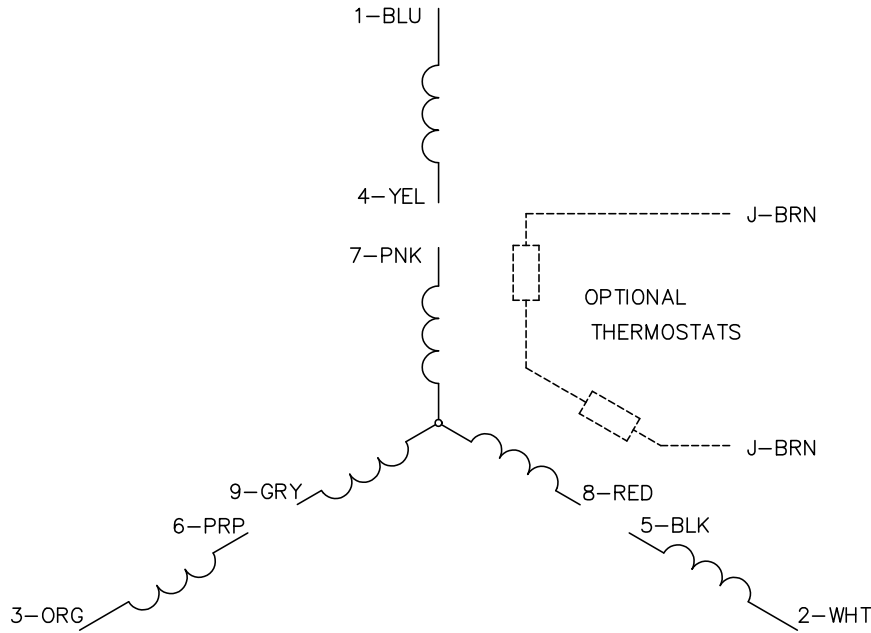
**BALDOR**

STD VERT 56C TEFC 36M

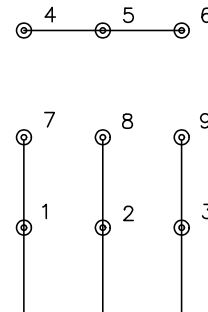
SH 1 of 1

36LYJ035

CD0005

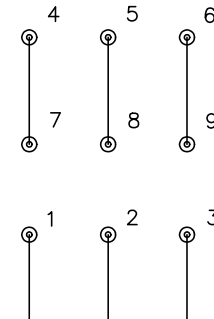


LOW VOLTAGE  
(2Y)



LINE

HIGH VOLTAGE  
(1Y)



LINE

NOTES:

1. INTERCHANGE ANY TWO LINE LEADS TO REVERSE ROTATION.
2. OPTIONAL THERMOSTATS ARE PROVIDED WHEN SPECIFIED.
3. ACTUAL NUMBER OF INTERNAL PARALLEL CIRCUITS MAY BE A MULTIPLE OF THOSE SHOWN ABOVE.
4. LEAD COLORS ARE OPTIONAL. LEADS MUST ALWAYS BE NUMBERED AS SHOWN.

CD0005

REV. DESC: REVISE TO SHOW OPTIONAL COLORS			
REV. LTR: E	BY: JLP	REVISED: 01/19/99 10:15	TDR: 0171435
S00000		FILE: AAA00005140	MDL: -
		MTL: -	

**BALDOR ELECTRIC Co.**

3PH, DV, 9 LEADS