

**BALDOR® • RELIANCE** 

**Product Information Packet**

**M3541-57**

**.75HP,2850 IP44RPM,3PH,50HZ,56,3420M**

Part Detail							
Revision:	N	Status:	PRD/A	Change #:		Proprietary:	No
Type:	AC	Elec. Spec:	34WGY004	CD Diagram:	CD0022	Mfg Plant:	
Mech. Spec:	34A061	Layout:	34LYA061	Poles:	02	Created Date:	09-09-2011
Base:	RG	Eff. Date:	07-12-2022	Leads:	6#18		

Specs			
Catalog Number:	M3541-57	Heater Indicator:	No Heater
Enclosure:	TEFC	Insulation Class:	F
Frame:	56	Inverter Code:	Not Inverter
Frame Material:	Steel	KVA Code:	M
Motor Letter Type:	Three Phase	Lifting Lugs:	No Lifting Lugs
Output @ Frequency:	.750 HP @ 50 HZ	Locked Bearing Indicator:	No Locked Bearing
Synchronous Speed @ Frequency:	3000 RPM @ 50 HZ	Motor Lead Quantity/Wire Size:	6 @ 18 AWG
Voltage @ Frequency:	230.0 V @ 50 HZ	Motor Lead Exit:	Ko Box
	400.0 V @ 50 HZ	Motor Lead Termination:	Flying Leads
XP Class and Group:	None	Motor Type:	3420M
XP Division:	Not Applicable	Mounting Arrangement:	F1
Agency Approvals:	CE	Power Factor:	75
	CSA	Product Family:	General Purpose
	UR	Pulley End Bearing Type:	Ball
	WEEE	Pulley Face Code:	Standard
Auxillary Box:	No Auxillary Box	Pulley Shaft Indicator:	Standard
Auxillary Box Lead Termination:	None	Rodent Screen:	None
Base Indicator:	Rigid	RoHS Status:	ROHS COMPLIANT

<b>Bearing Grease Type:</b>	Polyrex EM (-20F +300F)	<b>Shaft Extension Location:</b>	Pulley End
<b>Blower:</b>	None	<b>Shaft Ground Indicator:</b>	No Shaft Grounding
<b>Current @ Voltage:</b>	2.400 A @ 230.0 V	<b>Shaft Rotation:</b>	Reversible
	1.400 A @ 400.0 V	<b>Shaft Slinger Indicator:</b>	No Slinger
<b>Design Code:</b>	B	<b>Speed Code:</b>	Single Speed
<b>Drip Cover:</b>	No Drip Cover	<b>Motor Standards:</b>	NEMA
<b>Duty Rating:</b>	CONT	<b>Starting Method:</b>	Direct on line
<b>Electrically Isolated Bearing:</b>	Not Electrically Isolated	<b>Thermal Device - Bearing:</b>	None
<b>Feedback Device:</b>	NO FEEDBACK	<b>Thermal Device - Winding:</b>	None
<b>Front Face Code:</b>	Standard	<b>Vibration Sensor Indicator:</b>	No Vibration Sensor
<b>Front Shaft Indicator:</b>	None	<b>Winding Thermal 1:</b>	None
		<b>Winding Thermal 2:</b>	None

Nameplate NP1372L											
CAT.NO.	M3541-57										
SPEC.	34A061Y004G3										
HP	.75/KW .56 IEC60034-30										
VOLTS	230/400										
AMP	2.4/1.4 SFA 2.8/1.6										
RPM	2850 1/MIN IP44 IC411 KG11										
FRAME	56C					HZ	50		PH	3	
SER.F.	1.25					CODE	M	DES	B	CL	F
NEMA-NOM-EFF	75.5					PF	75				
RATING	40C AMB-S1 CONT										
CC									USABLE AT 208V		
DE	6203					ODE	6203				
ENCL	TEFC					SN					
	IE2-50HZ-74.5(75%)69.5(50%)										

Parts List		
Part Number	Description	Quantity
SA230522	SA 34A061Y004G3	1.000 EA
RA217549	RA 34A061Y004G3	1.000 EA
NS2512A01	INSULATOR, CONDUIT BOX X	1.000 EA
34CB3002A	CB CAST W/.88 DIA HOLE	1.000 EA
34GS1029A01	GASKET, CONDUIT BOX	1.000 EA
51XB1016A07	10-16 X 7/16 HXWSSLD SERTYB	2.000 EA
11XW1032G06	10-32 X .38, TAPTITE II, HEX WSHR SLTD U	1.000 EA
34EP3102A01SP	FR ENDPLATE, MACH	1.000 EA
HW5100A03	WAVY WASHER (W1543-017)	1.000 EA
34EP3102A02SP	FR/PU ENDPLATE, MACH	1.000 EA
XY1032A02	10-32 HEX NUT DIRECTIONAL SERRATION	4.000 EA
34FN3002A01SP	EXTERNAL FAN, PLASTIC, .637/.639 HUB W/	1.000 EA
34FH4002A01SP	IEC FH NO GREASER PRIMED	1.000 EA
51XW1032A06	10-32 X .38, TAPTITE II, HEX WSHR SLTD S	3.000 EA
34CB4517	CB LID 4 MTG HOLES .22 DIA STAMPED, FOR	1.000 EA
34GS1031A01	GASKET, FLAT CONDUIT BOX LID (LEXIDE)	1.000 EA
51XW0832A07	8-32 X .44, TAPTITE II, HEX WSHR SLTD SE	4.000 EA
HW2501D13	KEY, 3/16 SQ X 1.375	1.000 EA
HA7000A04	KEY RETAINER 0.625 DIA SHAFTS	1.000 EA
MG1000G27	MED CHARCOAL METALLIC GREY 400-0096	0.014 GA
85XU0407S04	4X1/4 U DRIVE PIN STAINLESS	2.000 EA
HA4067A01	PUSH IN DRAIN FITTING (BLACK)	1.000 EA
HA4067A01	PUSH IN DRAIN FITTING (BLACK)	1.000 EA
HA3100A12	THRUBOLT 10-32 X 7.375	4.000 EA

<b>Parts List (continued)</b>		
<b>Part Number</b>	<b>Description</b>	<b>Quantity</b>
LC0034	CONNECTION LABEL	1.000 EA
LB1119N	WARNING LABEL	1.000 EA
MN416A01	TAG-INSTAL-MAINT no wire (2200bx) 4/22	1.000 EA
NP1372L	ALUM UL CSA CE CC	1.000 EA
35PA1066	PKG GRP, PRINT PK1008A06	1.000 EA
LB1617	UKCA COMPLIANCE STICKER	1.000 EA

**AC Induction Motor Performance Data**

Record # 35179

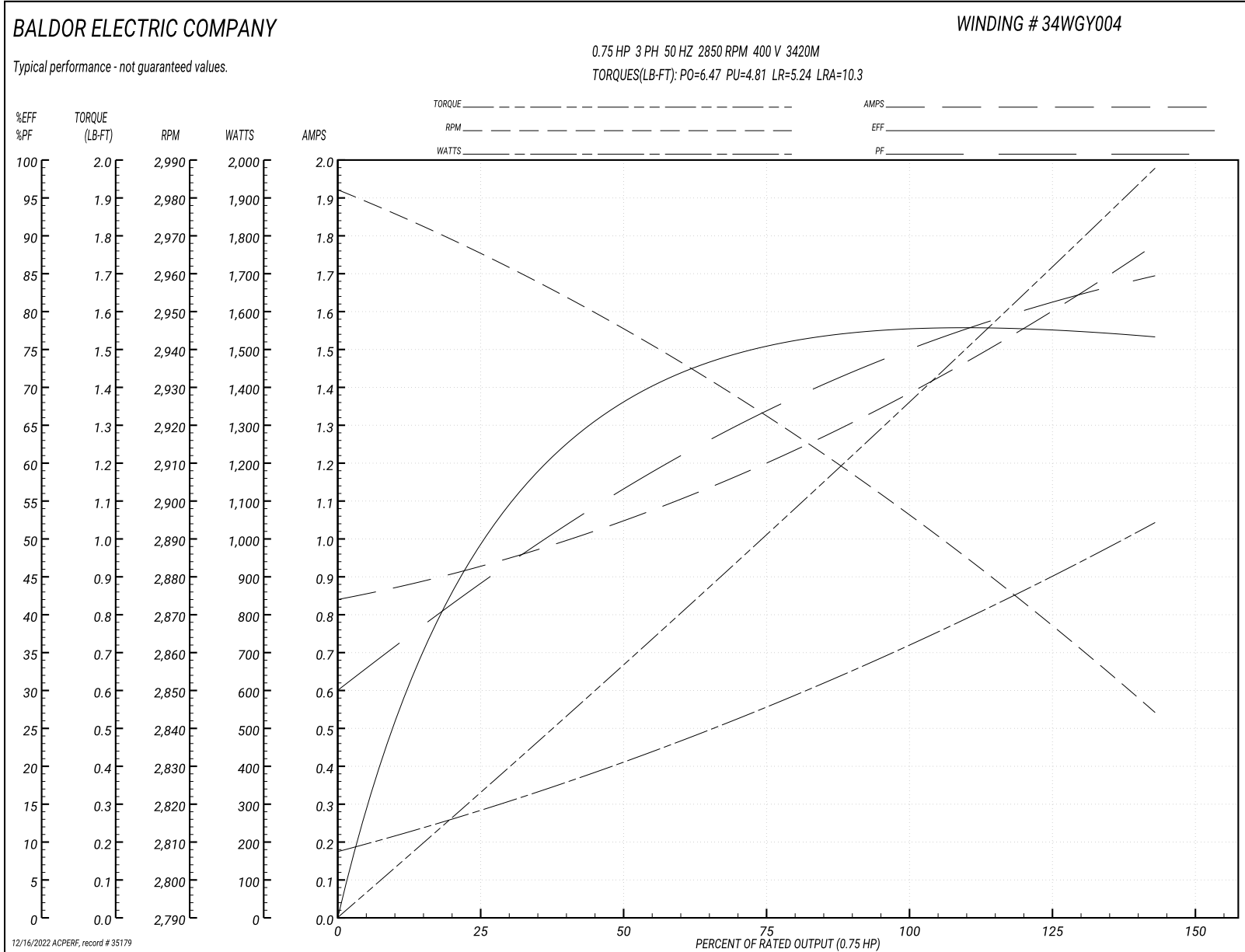
Typical performance - not guaranteed values

<b>Winding: 34WGY004-R003</b>		<b>Type: 3420M</b>		<b>Enclosure: TEFC</b>	
<b>Nameplate Data</b>			<b>400 V, 50 Hz: High Voltage Connection</b>		
<b>Rated Output (HP)</b>	.75	<b>Full Load Torque</b>	1.35 LB-FT		
<b>Volts</b>	230/400	<b>Start Configuration</b>	direct on line		
<b>Full Load Amps</b>	2.4/1.4	<b>Breakdown Torque</b>	6.47 LB-FT		
<b>R.P.M.</b>	2850	<b>Pull-up Torque</b>	4.81 LB-FT		
<b>Hz</b>	50 Phase	3	<b>Locked-rotor Torque</b>	5.24 LB-FT	
<b>NEMA Design Code</b>	B	<b>KVA Code</b>	M	<b>Starting Current</b>	10.3 A
<b>Service Factor (S.F.)</b>	1.25		<b>No-load Current</b>	0.849 A	
<b>NEMA Nom. Eff.</b>	75.5	<b>Power Factor</b>	69	<b>Line-line Res. @ 25°C</b>	16.8 Ω
<b>Rating - Duty</b>	40C AMB-CONT		<b>Temp. Rise @ Rated Load</b>		
<b>S.F. Amps</b>	2.8/1.6		<b>Temp. Rise @ S.F. Load</b>		
			<b>Locked-rotor Power Factor</b>	77	
			<b>Rotor inertia</b>	0.0186 LB-FT <sup>2</sup>	

**Load Characteristics 400 V, 50 Hz, 0.75 HP**

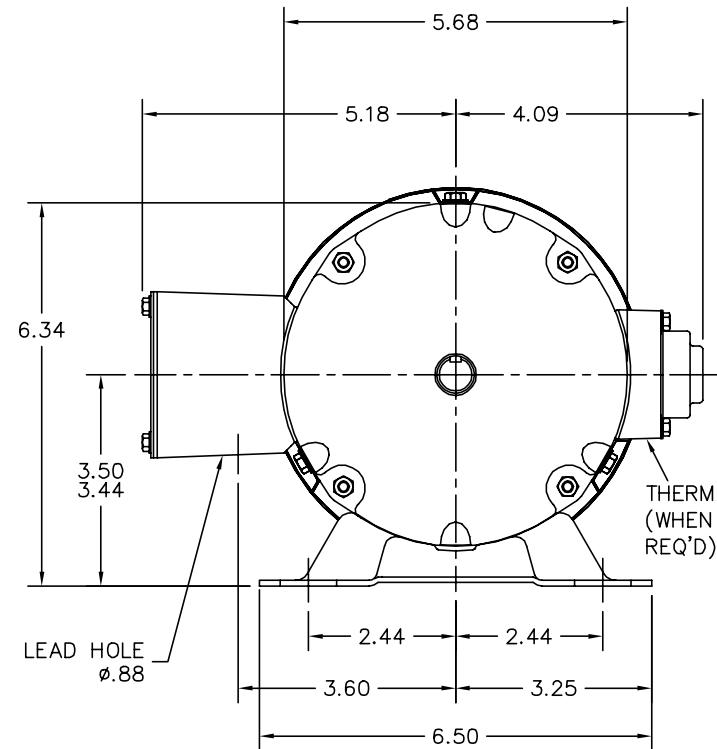
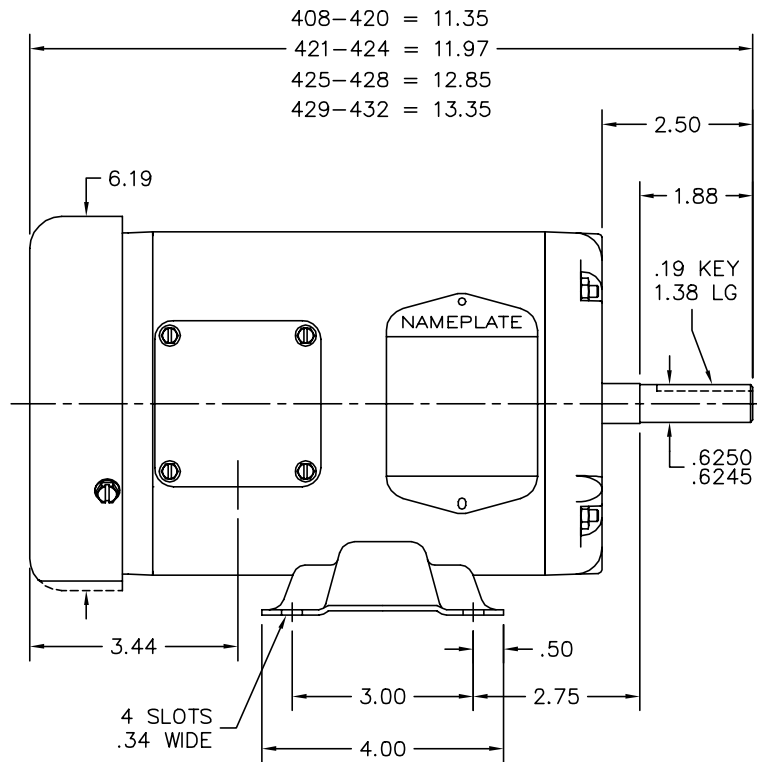
<b>% of Rated Load</b>	<b>25</b>	<b>50</b>	<b>75</b>	<b>100</b>	<b>125</b>	<b>150</b>	<b>S.F.</b>
<b>Power Factor</b>	43	56	68	75	80	85	80
<b>Efficiency</b>	52.9	69.5	74.5	77.2	77.4	77.2	77.4
<b>Speed</b>	2967	2945	2920	2897	2872	2844	2872
<b>Line amperes</b>	0.917	1.05	1.21	1.38	1.58	1.77	1.58

Performance Graph at 400V, 50Hz, 0.75HP Typical performance - Not guaranteed values





34LYA061



CUSTOMER IS RESPONSIBLE FOR DETERMINING THAT BALDOR'S PRODUCT WILL PERFORM SUITABLY IN THE INTENDED APPLICATION.

REV. DESC: UPDAYE LAYOUT GRAPHICS		
REV. LTR: L	VERSION: 04	TDR: 000001189834
FILE: \AAA\00000\561	REVISED: 02:15:07 04/25/2022	BY: ENJFDO
MTL: -	© □	

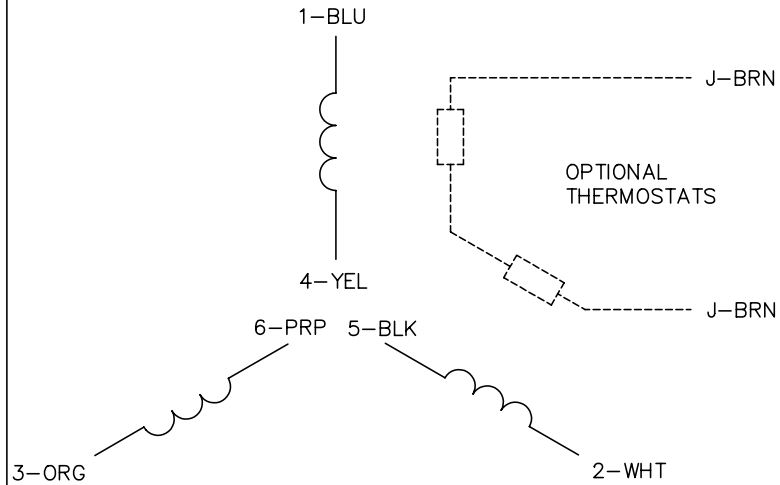
**BALDOR - RELIANCE®**

STD HORZ 34M NEMA 56 TEFC

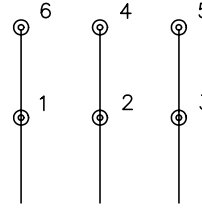
SH 1 of 1

34LYA061

CD0022

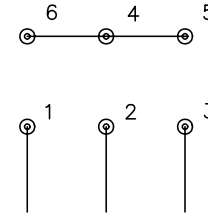


LOW VOLTAGE  
(1D)



LINE

HIGH VOLTAGE  
(1Y)



LINE

NOTES:

1. INTERCHANGE ANY TWO LINE LEADS TO REVERSE ROTATION.
2. OPTIONAL THERMOSTATS ARE PROVIDED WHEN SPECIFIED.
3. ACTUAL NUMBER OF INTERNAL PARALLEL CIRCUITS MAY BE A MULTIPLE OF THOSE SHOWN ABOVE.
4. LEAD COLORS ARE OPTIONAL. LEADS MUST ALWAYS BE NUMBERED AS SHOWN.

REV. DESC: REVISE TO SHOW OPTIONAL COLORS			
REV. LTR: F	BY: JLP	REVISED: 01/21/99 3:54	TDR: 0171435
CD0022		FILE: AAA00005144	MDL: -
		MTL: -	

**BALDOR ELECTRIC Co.**

3PH, DV, 6 LEADS, DELTA/WYE CONNECTION

CD0022

Marketing maintained PDF of MN416:

<http://www.baldor.com/support/Literature/Load.ashx/MN416?ManNumber=MN416>