

BALDOR® • RELIANCE 

Product Information Packet

M3454

.25HP, 1735RPM, 3PH, 60HZ, 48, 3410M, TEFC, F1

Part Detail							
Revision:	-	Status:	PRD/A	Change #:		Proprietary:	No
Type:	AC	Elec. Spec:	34WGR713	CD Diagram:	CD0005	Mfg Plant:	
Mech. Spec:	34A051	Layout:	34LYA051	Poles:	04	Created Date:	11-20-2020
Base:	RG	Eff. Date:	12-01-2020	Leads:	9#18		

Specs			
Catalog Number:	M3454	Insulation Class:	B
Enclosure:	TEFC	Inverter Code:	Not Inverter
Frame:	48	KVA Code:	L
Frame Material:	Steel	Lifting Lugs:	No Lifting Lugs
Motor Letter Type:	Three Phase	Locked Bearing Indicator:	No Locked Bearing
Output @ Frequency:	.250 HP @ 60 HZ	Motor Lead Quantity/Wire Size:	9 @ 18 AWG
Synchronous Speed @ Frequency:	1800 RPM @ 60 HZ	Motor Lead Exit:	Ko Box
Voltage @ Frequency:	460.0 V @ 60 HZ	Motor Lead Termination:	Flying Leads
	230.0 V @ 60 HZ	Motor Type:	3410M
XP Class and Group:	None	Mounting Arrangement:	F1
XP Division:	Not Applicable	Power Factor:	63
Agency Approvals:	CSA	Product Family:	General Purpose
	UR	Pulley End Bearing Type:	Ball
Auxillary Box:	No Auxillary Box	Pulley Face Code:	Standard
Auxillary Box Lead Termination:	None	Pulley Shaft Indicator:	Standard
Base Indicator:	Rigid	Rodent Screen:	None
Bearing Grease Type:	Polyrex EM (-20F +300F)	RoHS Status:	ROHS COMPLIANT
Blower:	None	Shaft Extension Location:	Pulley End

Current @ Voltage:	1.100 A @ 208.0 V	Shaft Ground Indicator:	No Shaft Grounding
	1.200 A @ 230.0 V	Shaft Rotation:	Reversible
	.600 A @ 460.0 V	Shaft Slinger Indicator:	No Slinger
Design Code:	B	Speed Code:	Single Speed
Drip Cover:	No Drip Cover	Motor Standards:	NEMA
Duty Rating:	CONT	Starting Method:	Direct on line
Electrically Isolated Bearing:	Not Electrically Isolated	Thermal Device - Bearing:	None
Feedback Device:	NO FEEDBACK	Thermal Device - Winding:	None
Front Face Code:	Standard	Vibration Sensor Indicator:	No Vibration Sensor
Front Shaft Indicator:	None	Winding Thermal 1:	None
Heater Indicator:	No Heater	Winding Thermal 2:	None

Nameplate NP1256L												
CAT.NO.	M3454											
SPEC.	34A051R713											
HP	.25											
VOLTS	230/460											
AMP	1.2/.6											
RPM	1735											
FRAME	48					HZ	60			PH	3	
SER.F.	1.35					CODE	L		DES	B	CLASS	B
NEMA-NOM-EFF	62					PF	63					
RATING	40C AMB-CONT											
CC									USABLE AT 208V	1.1		
DE	6203					ODE	6203					
ENCL	TEFC					SN						
	SFA 1.32/0.66A											

Parts List		
Part Number	Description	Quantity
SA388175	SA 34A051R713	1.000 EA
RA378524	RA 34A051R713	1.000 EA
NS2512A01	INSULATOR, CONDUIT BOX X	1.000 EA
34CB3002A	CB CAST W/.88 DIA HOLE	1.000 EA
34GS1029A01	GASKET, CONDUIT BOX	1.000 EA
51XB1016A07	10-16 X 7/16 HXWSSLD SERTYB	2.000 EA
11XW1032G06	10-32 X .38, TAPTITE II, HEX WSHR SLTD U	1.000 EA
34EP3102A01SP	FR ENDPLATE, MACH	1.000 EA
HW5100A03	WAVY WASHER (W1543-017)	1.000 EA
34EP3102A02SP	FR/PU ENDPLATE, MACH	1.000 EA
XY1032A02	10-32 HEX NUT DIRECTIONAL SERRATION	4.000 EA
34FN3002A01SP	EXTERNAL FAN, PLASTIC, .637/.639 HUB W/	1.000 EA
34FH4002A01SP	IEC FH NO GREASER PRIMED	1.000 EA
51XW1032A06	10-32 X .38, TAPTITE II, HEX WSHR SLTD S	3.000 EA
34CB4517	CB LID 4 MTG HOLES .22 DIA STAMPED, FOR	1.000 EA
34GS1031A01	GASKET, FLAT CONDUIT BOX LID (LEXIDE)	1.000 EA
51XW0832A07	8-32 X .44, TAPTITE II, HEX WSHR SLTD SE	4.000 EA
MG1000G27	MED CHARCOAL METALLIC GREY 400-0096	0.014 GA
85XU0407S04	4X1/4 U DRIVE PIN STAINLESS	2.000 EA
HA3100A12	THRUBOLT 10-32 X 7.375	4.000 EA
LC0005E01	CONN.DIA./WARNING LABEL (LC0005/LB1119N)	1.000 EA
NP1256L	ALUM UL CSA CC INDUSTRIAL MOTOR A60	1.000 EA
35PA1066	PKG GRP, PRINT PK1001A01	1.000 EA

Accessories		
Part Number	Description	Multiplier
34-3900T	C-FACE KIT	A8

AC Induction Motor Performance Data

Record # 85600

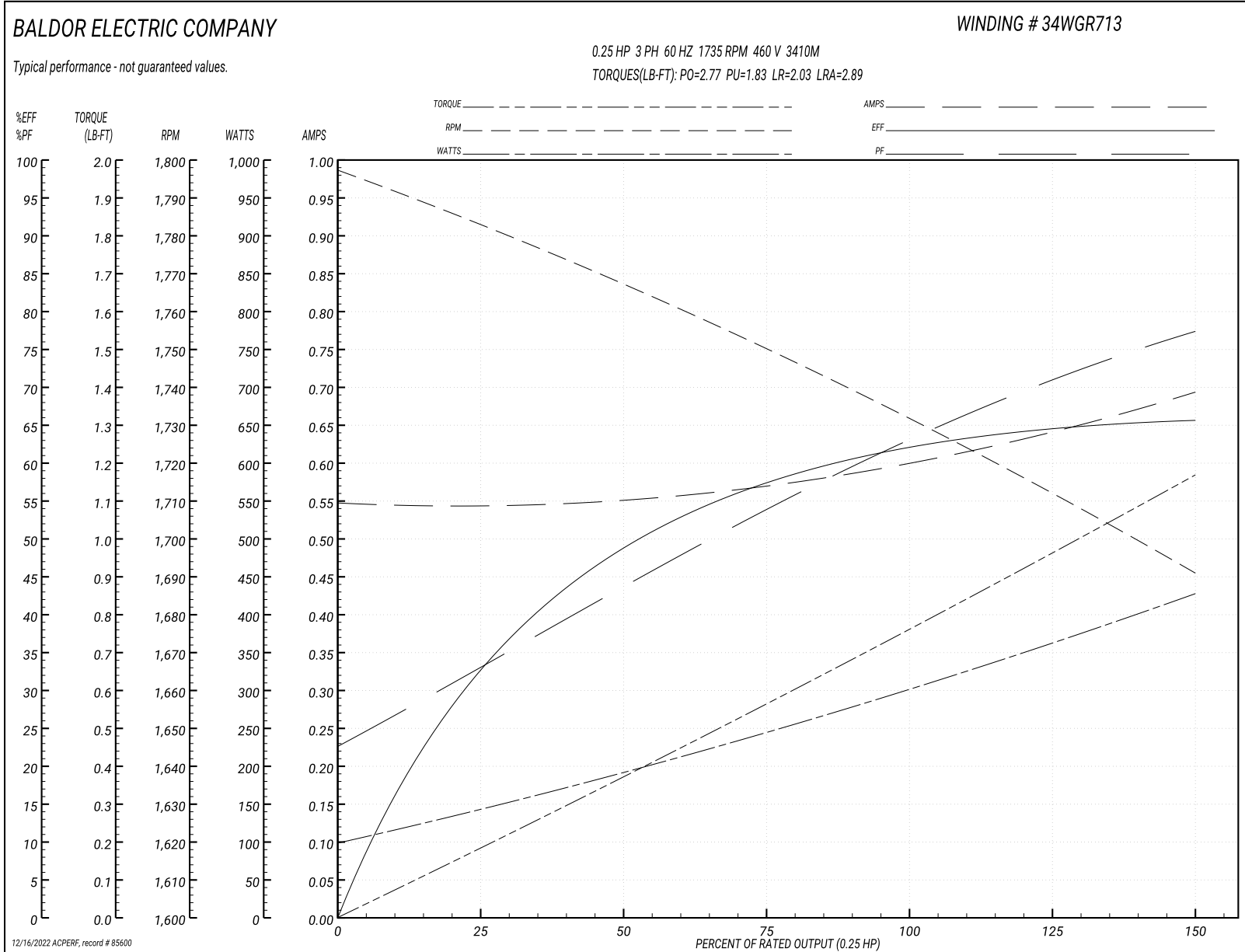
Preliminary Data Sheet

Winding: 34WGR713-R001		Type: 3410M		Enclosure: TEFC	
Nameplate Data			460 V, 60 Hz: High Voltage Connection		
Rated Output (HP)	0.25	Full Load Torque	0.76 LB-FT		
Volts	230/460	Start Configuration	direct on line		
Full Load Amps	1.2/0.6	Breakdown Torque	2.77 LB-FT		
R.P.M.	1735	Pull-up Torque	1.83 LB-FT		
Hz	60 Phase	3	Locked-rotor Torque	2.03 LB-FT	
NEMA Design Code	B KVA Code	L	Starting Current	2.89 A	
Service Factor (S.F.)	1.35	No-load Current	0.545 A		
NEMA Nom. Eff.	63.4	Power Factor	63	Line-line Res. @ 25°C	98.9 Ω
Rating - Duty	40C AMB-CONT	Temp. Rise @ Rated Load	57°C		
S.F. Amps	1.32/0.66	Temp. Rise @ S.F. Load	70°C		
		Locked-rotor Power Factor	84.1		
		Rotor inertia	0.0238 lb-ft ²		

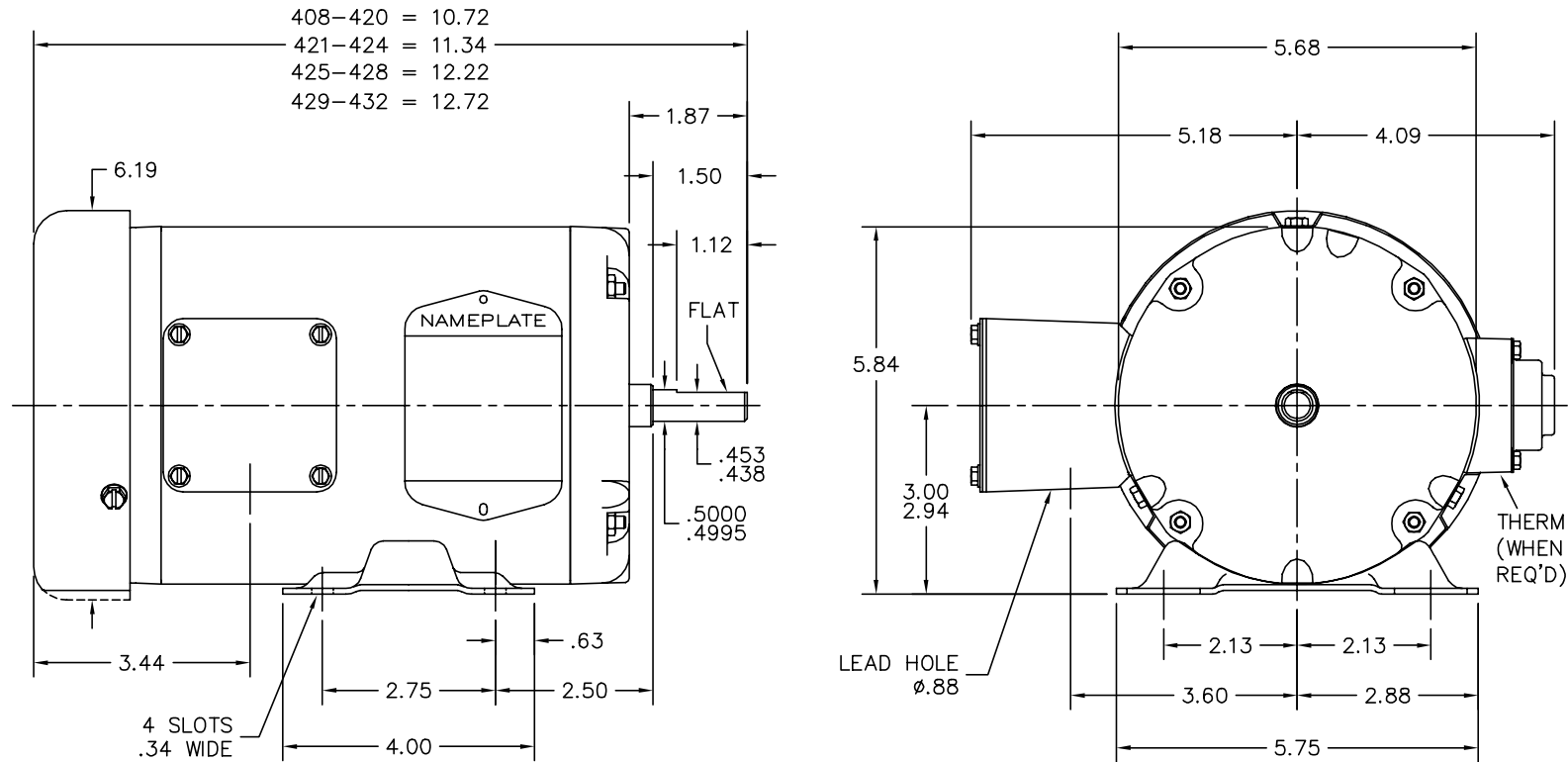
Load Characteristics 460 V, 60 Hz, 0.25 HP

% of Rated Load	25	50	75	100	125	150	S.F.
Power Factor	33	43	54	63	71	78	75
Efficiency	34.9	50.2	58.6	63.4	65.6	66.1	65.8
Speed	1781	1767	1751	1733	1713	1690	1697
Line amperes	0.547	0.552	0.568	0.598	0.64	0.695	0.662

Performance Graph at 460V, 60Hz, 0.25HP Typical performance - Not guaranteed values



34LYA051



CUSTOMER IS RESPONSIBLE FOR DETERMINING THAT BALDOR'S PRODUCT WILL PERFORM SUITABLY IN THE INTENDED APPLICATION.

REV. DESC: UPDAYE LAYOUT GRAPHICS		
REV. LTR: M	VERSION: 05	TDR: 000001189834
FILE: \AAA\00006\622	REVISED: 01:40:08 04/25/2022	BY: ENJEFD0
MTL: -		

BALDOR - RELIANCE®

STD HORZ 34M NEMA 48 TEFC

SH 1 of 1

34LYA051

CD0005



LOW VOLTAGE
(2Y)



LINE

HIGH VOLTAGE
(1Y)



LINE

NOTES:

1. INTERCHANGE ANY TWO LINE LEADS TO REVERSE ROTATION.
2. OPTIONAL THERMOSTATS ARE PROVIDED WHEN SPECIFIED.
3. ACTUAL NUMBER OF INTERNAL PARALLEL CIRCUITS MAY BE A MULTIPLE OF THOSE SHOWN ABOVE.
4. LEAD COLORS ARE OPTIONAL. LEADS MUST ALWAYS BE NUMBERED AS SHOWN.

REV. DESC: REVISE TO SHOW OPTIONAL COLORS			
REV. LTR: E	BY: JLP	REVISED: 01/19/99 10:15	TDR: 0171435
900000		FILE: AAA00005140	MDL: -
		MTL: -	

BALDOR ELECTRIC Co.

3PH, DV, 9 LEADS

CD0005