

BALDOR® • RELIANCE™

Customer information packet

KM3457

.33HP, 3450RPM, 3PH, 60HZ, 56C, 3410M, TENV, F1

ELECTRIC MOTOR WHOLESAL.COM

Class - None

Division - Not Applicable

Specifications

Enclosure	TENV
Frame	56C
Frame Material	Steel
Frequency	60.00 Hz
Output @ Frequency	.330 HP @ 60 HZ
Phase	3
Synchronous Speed @ Frequency	3600 RPM @ 60 HZ
Voltage @ Frequency	460.0 V @ 60 HZ 230.0 V @ 60 HZ
XP Class and Group	None
XP Division	Not Applicable
Agency Approvals	CSA UR
Ambient Temperature	40 °C
Auxillary Box	No Auxillary Box
Auxillary Box Lead Termination	None
Base Indicator	No Mounting
Bearing Grease Type	Polyrex EM (-20F +300F)
Blower	None
Current @ Voltage	.700 A @ 460.0 V 1.400 A @ 230.0 V 1.600 A @ 208.0 V
Design Code	B
Drip Cover	No Drip Cover
Duty Rating	CONT
Efficiency @ 100% Load	72.0 %
Electrically Isolated Bearing	Not Electrically Isolated
Feedback Device	NO FEEDBACK
Front Face Code	Standard
Front Shaft Indicator	None
Heater Indicator	No Heater
High Voltage Full Load Amps	0.7 a

Part detail

Revision	K
Type	AC
Mech. spec.	34K013
Base	
Status	PRD/A
Elec. spec.	34WGY170
Layout	34LYK013
Eff. date	10-12-2019
CD Diagram	CD0005
Poles	02
Leads	9#18
Proprietary	False
Created date	01-01-0001

Insulation Class	B
Inverter Code	Not Inverter
KVA Code	P
Lifting Lugs	No Lifting Lugs
Locked Bearing Indicator	Locked Bearing
Motor Lead Exit	Ko Box
Motor Lead Quantity/Wire Size	9 @ 18 AWG
Motor Lead Termination	Flying Leads
Motor Standards	NEMA
Motor Type	3410M
Mounting Arrangement	F1
Number of Poles	2
Overall Length	10.25 IN
Power Factor	64
Product Family	General Purpose
Pulley End Bearing Type	Ball
Pulley Face Code	C-Face
Pulley Shaft Indicator	Standard
Rodent Screen	None
RoHS Status	ROHS COMPLIANT
Service Factor	1.35
Shaft Diameter	0.625 IN
Shaft Extension Location	Pulley End
Shaft Ground Indicator	No Shaft Grounding
Shaft Rotation	Reversible
Shaft Slinger Indicator	No Slinger
Speed	3450 rpm
Speed Code	Single Speed
Starting Method	Direct on line
Thermal Device - Bearing	None
Thermal Device - Winding	None
Vibration Sensor Indicator	No Vibration Sensor

Nameplate

NP1256L									
CAT.NO.	KM3457								
SPEC.	34K013Y170								
HP	.33								
VOLTS	230/460								
AMP	1.4/.7								
RPM	3450								
FRAME	56C		HZ	60		PH	3		
SER.F.	1.35	CODE	P	DES	B	CLASS	B		
NEMA-NOM-EFF	72	PF	64						
RATING	40C AMB-CONT								
CC			USABLE AT 208V	1.6					
DE	6203	ODE	6203						
ENCL	TENV	SN							
	SFA 1.5/.75								

Parts list

Part number	Description	Quantity
SA085074	SA 34K013Y170	1.000 ea
RA078218	RA 34K013Y170	1.000 ea
NS2512A01	INSULATOR, CONDUIT BOX X	1.000 ea
34CB3002A	CB CAST W/.88 DIA HOLE	1.000 ea
34GS1029A01	GASKET, CONDUIT BOX	1.000 ea
51XB1016A07	10-16 X 7/16 HXWSSLD SERTYB	2.000 ea
11XW1032G06	10-32 X .38, TAPTITE II, HEX WSHR SLTD U	1.000 ea
34EP3100A03SP	FR ENDPLATE, MACH	1.000 ea
HW5100A03	WAVY WASHER (W1543-017)	1.000 ea
34EP3300A24SP	PU ENDPLATE, MACH	1.000 ea
51XN1032A20	10-32 X 1 1/4 HX WS SL SR	2.000 ea
34CB4517	CB LID 4 MTG HOLES .22 DIA STAMPED, FOR	1.000 ea
34GS1031A01	GASKET, FLAT CONDUIT BOX LID (LEXIDE)	1.000 ea
51XW0832A07	8-32 X .44, TAPTITE II, HEX WSHR SLTD SE	4.000 ea
HW2501D13	KEY, 3/16 SQ X 1.375	1.000 ea
HA7000A04	KEY RETAINER 0.625 DIA SHAFTS	1.000 ea
MG1000G27	MED CHARCOAL METALLIC GREY 400-0096	0.014 ga
85XU0407S04	4X1/4 U DRIVE PIN STAINLESS	2.000 ea
HA3100A12	THRUBOLT 10-32 X 7.375	4.000 ea
LC0005E01	CONN.DIA./WARNING LABEL (LC0005/LB1119N)	1.000 ea
NP1256L	ALUM UL CSA CC INDUSTRIAL MOTOR A60	1.000 ea
35PA1066	PKG GRP, PRINT PK1001A01	1.000 ea
MN416A01	TAG-INSTAL-MAINT no wire (1200/bx) 3/19	1.000 ea
PK3083	STYROFOAM PACKING CRADLE	1.000 ea
PK3088	MICROFOAM, 8"X"8 PERF. SHEETS 5,400/RL	1.000 ea

AC Induction Motor Performance Data

Record # 28270

Preliminary Data Sheet

Winding: 34WGY170-R001		Type: 3410M		Enclosure: TENV	
Nameplate Data			460 V, 60 Hz: High Voltage Connection		
Rated Output (HP)	.33		Full Load Torque	0.5 LB-FT	
Volts	230/460		Start Configuration	direct on line	
Full Load Amps	1.4/.7		Breakdown Torque	3.4 LB-FT	
R.P.M.	3450		Pull-up Torque	2.4 LB-FT	
Hz	60 Phase	3	Locked-rotor Torque	2.6 LB-FT	
NEMA Design Code	B KVA Code	P	Starting Current	5.8 A	
Service Factor (S.F.)	1.35		No-load Current	0.56 A	
NEMA Nom. Eff.	72 Power Factor	64	Line-line Res. @ 25°C	31.7 Ω	
Rating - Duty	40C AMB-CONT		Temp. Rise @ Rated Load	57°C	
S.F. Amps	1.5/.75		Temp. Rise @ S.F. Load	66°C	

Load Characteristics 460 V, 60 Hz, 0.33 HP

% of Rated Load	25	50	75	100	125	150	S.F.
Power Factor	32	42	55	63	73	77	75
Efficiency	43.7	62	68.3	72.8	74.4	75.8	75
Speed	3569	3544	3526	3497	3477	3444	3464
Line amperes	0.57	0.6	0.63	0.68	0.71	0.79	0.742

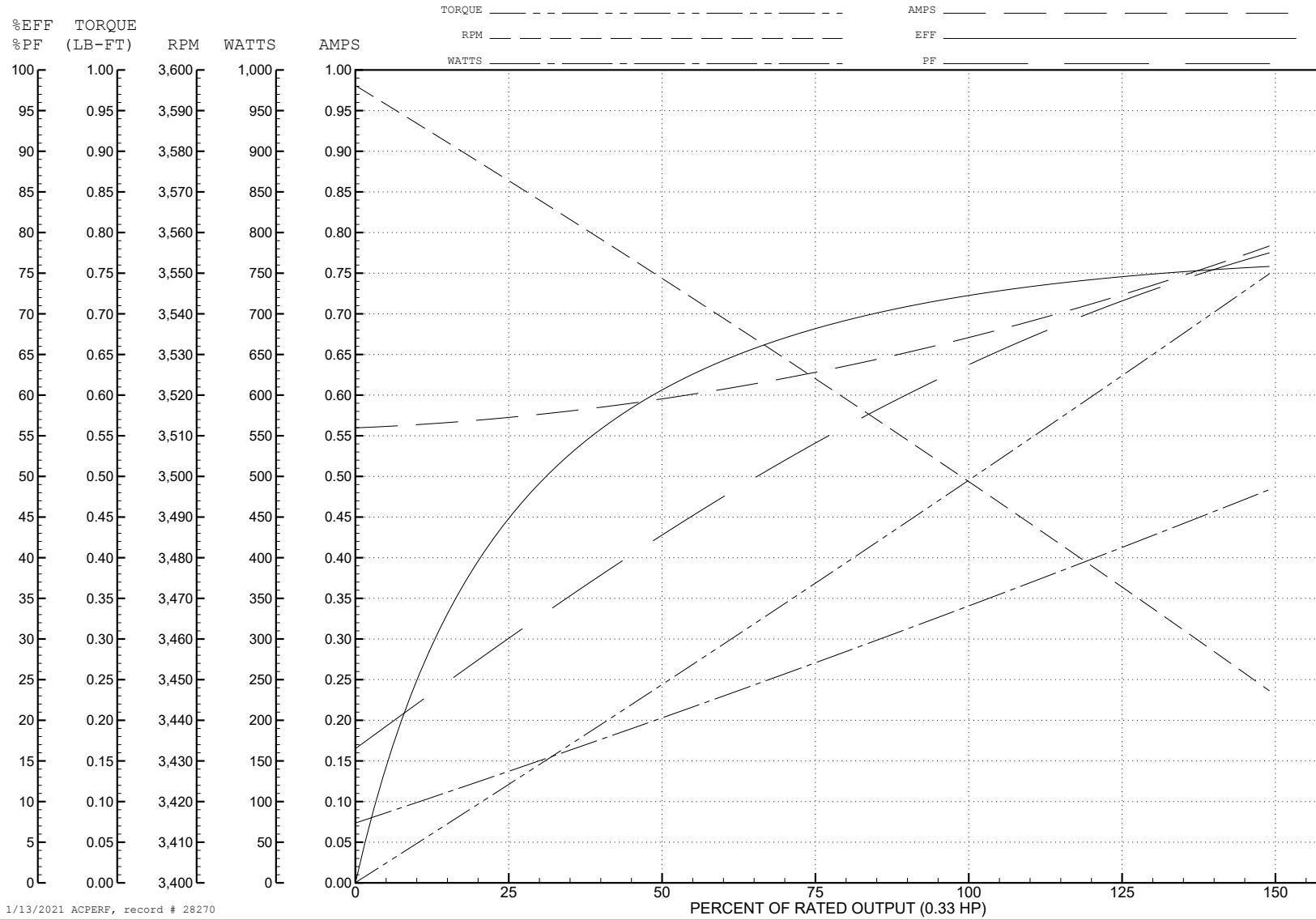
ABB Motors and Mechanical Inc.

WINDING # 34WGY170

0.33 HP 3 PH 60 HZ 3450 RPM 460 V 3410M

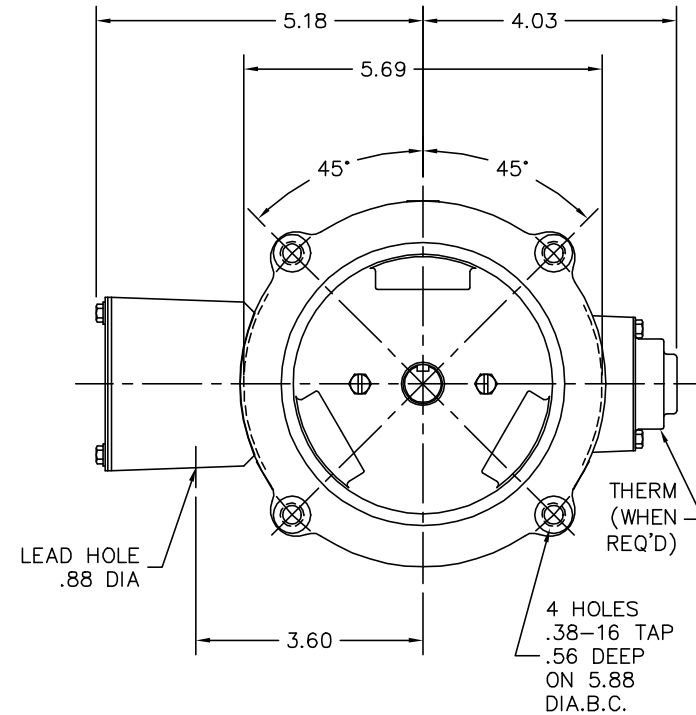
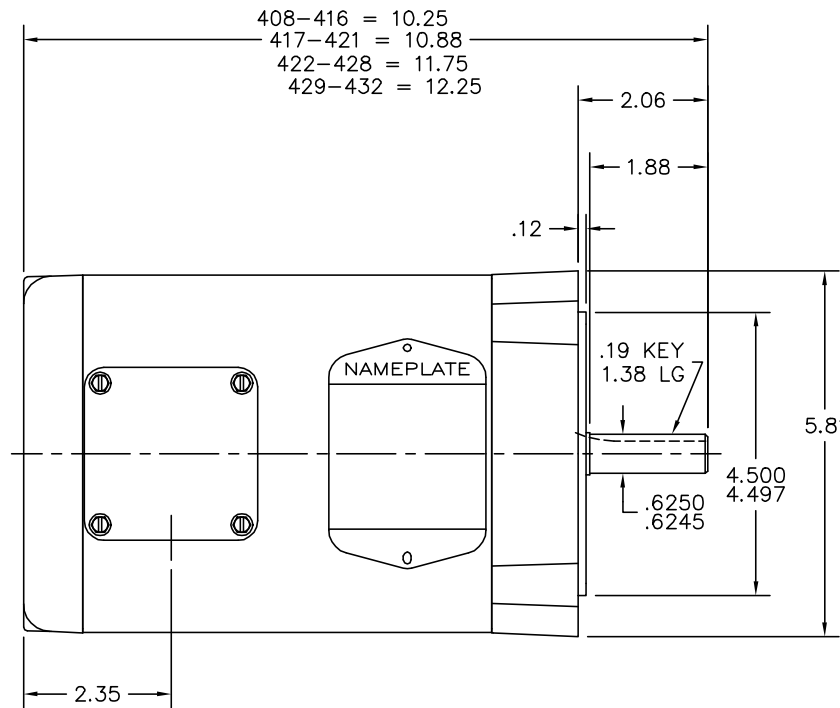
Typical performance - not guaranteed values.

TORQUES (LB-FT): PO=3.4 PU=2.4 LR=2.6 LRA=5.8



1/13/2021 ACPERF, record # 28270

34LYK013



CUSTOMER IS RESPONSIBLE FOR DETERMINING THAT MOTOR PERFORMANCE IS SUITABLE IN THE APPLICATION.

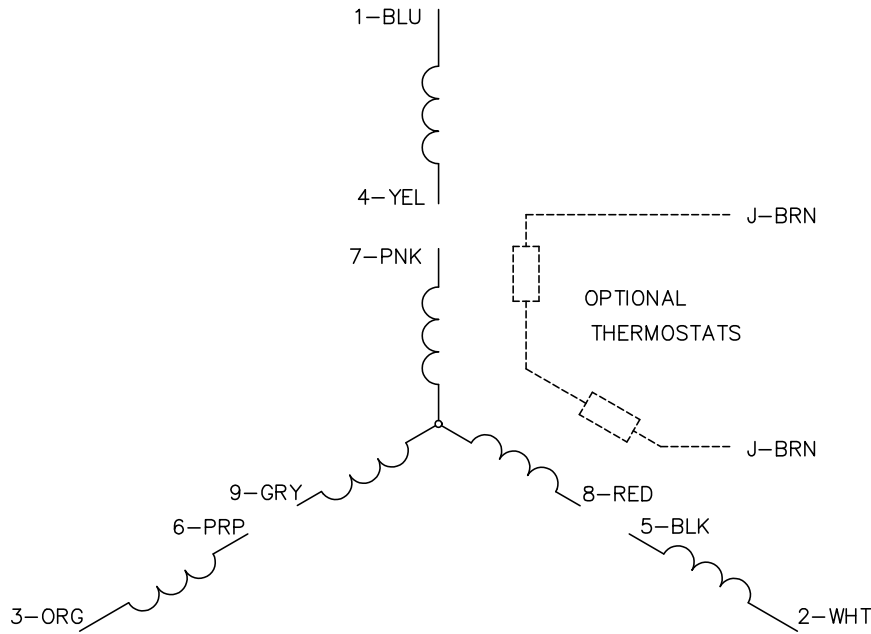
REV. DESC: UPDATE ACAD & KBOX			
REV. LTR: D	BY: RT	REVISED: 14:11:23 02/04/2005	TDR: 355794
34LYK013		FILE: AAA00026147	REF: 34LYK013
		MTL: -	

BALDOR ELECTRIC Co.

STD VERT MODEL 34M NEMA 56C TENV

34LYK013

CD0005

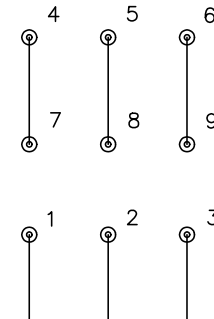


LOW VOLTAGE
(2Y)



LINE

HIGH VOLTAGE
(1Y)



LINE

NOTES:

1. INTERCHANGE ANY TWO LINE LEADS TO REVERSE ROTATION.
2. OPTIONAL THERMOSTATS ARE PROVIDED WHEN SPECIFIED.
3. ACTUAL NUMBER OF INTERNAL PARALLEL CIRCUITS MAY BE A MULTIPLE OF THOSE SHOWN ABOVE.
4. LEAD COLORS ARE OPTIONAL. LEADS MUST ALWAYS BE NUMBERED AS SHOWN.

REV. DESC: REVISE TO SHOW OPTIONAL COLORS			
REV. LTR: E	BY: JLP	REVISED: 01/19/99 10:15	TDR: 0171435
S00000		FILE: AAA00005140	MDL: -
		MTL: -	

BALDOR ELECTRIC Co.

3PH, DV, 9 LEADS

CD0005