

BALDOR® • RELIANCE 

Product Information Packet

KM3454-57

.25HP, IP54, 1425RPM, 3PH, 50HZ, 56C, 3410M

Part Detail							
Revision:	K	Status:	PRD/A	Change #:		Proprietary:	No
Type:	AC	Elec. Spec:	34WGS886	CD Diagram:	CD0022	Mfg Plant:	
Mech. Spec:	34A063	Layout:	34LYA063	Poles:	04	Created Date:	09-02-2011
Base:	N	Eff. Date:	07-12-2022	Leads:	6#18		

Specs			
Catalog Number:	KM3454-57	Heater Indicator:	No Heater
Enclosure:	TEFC	Insulation Class:	B
Frame:	56C	Inverter Code:	Not Inverter
Frame Material:	Steel	KVA Code:	L
Motor Letter Type:	Three Phase	Lifting Lugs:	No Lifting Lugs
Output @ Frequency:	.250 HP @ 50 HZ	Locked Bearing Indicator:	Locked Bearing
Synchronous Speed @ Frequency:	1500 RPM @ 50 HZ	Motor Lead Quantity/Wire Size:	6 @ 18 AWG
Voltage @ Frequency:	230.0 V @ 50 HZ	Motor Lead Exit:	Ko Box
	400.0 V @ 50 HZ	Motor Lead Termination:	Flying Leads
XP Class and Group:	None	Motor Type:	3410M
XP Division:	Not Applicable	Mounting Arrangement:	F1
Agency Approvals:	CE	Power Factor:	59
	CSA	Product Family:	General Purpose
	UR	Pulley End Bearing Type:	Ball
	WEEE	Pulley Face Code:	C-Face
Auxillary Box:	No Auxillary Box	Pulley Shaft Indicator:	Standard
Auxillary Box Lead Termination:	None	Rodent Screen:	None
Base Indicator:	No Mounting	RoHS Status:	ROHS COMPLIANT

Bearing Grease Type:	Polyrex EM (-20F +300F)	Shaft Extension Location:	Pulley End
Blower:	None	Shaft Ground Indicator:	No Shaft Grounding
Current @ Voltage:	1.200 A @ 230.0 V	Shaft Rotation:	Reversible
	.700 A @ 400.0 V	Shaft Slinger Indicator:	No Slinger
Design Code:	B	Speed Code:	Single Speed
Drip Cover:	No Drip Cover	Motor Standards:	NEMA
Duty Rating:	CONT	Starting Method:	Direct on line
Electrically Isolated Bearing:	Not Electrically Isolated	Thermal Device - Bearing:	None
Feedback Device:	NO FEEDBACK	Thermal Device - Winding:	None
Front Face Code:	Standard	Vibration Sensor Indicator:	No Vibration Sensor
Front Shaft Indicator:	None	Winding Thermal 1:	None
		Winding Thermal 2:	None

Nameplate NP1372L										
CAT.NO.	KM3454-57									
SPEC.	34A063S886G1									
HP	.25/KW .18									
VOLTS	230/400									
AMP	1.2/.7 SFA 1.3/.75									
RPM	1425 1/MIN IC411 IP44 KG9									
FRAME	56C					HZ	50		PH	3
SER.F.	1.25					CODE	L		DES	B
NEMA-NOM-EFF	64					PF	59		CL	B
RATING	40C AMB-S1 CONT									
CC						USABLE AT 208V				
DE	6203					ODE	6203			
ENCL	TEFC					SN				
	IE2-61.9(75%)53.7(50%)									

Parts List		
Part Number	Description	Quantity
SA230020	SA 34A063S886G1	1.000 EA
RA217054	RA 34A063S886G1	1.000 EA
NS2512A01	INSULATOR, CONDUIT BOX X	1.000 EA
34CB3002A	CB CAST W/.88 DIA HOLE	1.000 EA
34GS1029A01	GASKET, CONDUIT BOX	1.000 EA
51XB1016A07	10-16 X 7/16 HXWSSLD SERTYB	2.000 EA
11XW1032G06	10-32 X .38, TAPTITE II, HEX WSHR SLTD U	1.000 EA
34EP3102A01SP	FR ENDPLATE, MACH	1.000 EA
HW5100A03	WAVY WASHER (W1543-017)	1.000 EA
34EP3300A24SP	PU ENDPLATE, MACH	1.000 EA
51XN1032A20	10-32 X 1 1/4 HX WS SL SR	2.000 EA
34FN3002A01SP	EXTERNAL FAN, PLASTIC, .637/.639 HUB W/	1.000 EA
51XW1032A06	10-32 X .38, TAPTITE II, HEX WSHR SLTD S	3.000 EA
34CB4517	CB LID 4 MTG HOLES .22 DIA STAMPED, FOR	1.000 EA
34GS1031A01	GASKET, FLAT CONDUIT BOX LID (LEXIDE)	1.000 EA
51XW0832A07	8-32 X .44, TAPTITE II, HEX WSHR SLTD SE	4.000 EA
HW2501D13	KEY, 3/16 SQ X 1.375	1.000 EA
34FH4002A01SP	IEC FH NO GREASER PRIMED	1.000 EA
HA7000A04	KEY RETAINER 0.625 DIA SHAFTS	1.000 EA
MG1000G27	MED CHARCOAL METALLIC GREY 400-0096	0.014 GA
85XU0407S04	4X1/4 U DRIVE PIN STAINLESS	2.000 EA
HA4067A01	PUSH IN DRAIN FITTING (BLACK)	1.000 EA
HA4067A01	PUSH IN DRAIN FITTING (BLACK)	1.000 EA
HA3100A12	THRUBOLT 10-32 X 7.375	4.000 EA

Parts List (continued)		
Part Number	Description	Quantity
LB1119N	WARNING LABEL	1.000 EA
MN416A01	TAG-INSTAL-MAINT no wire (2200bx) 4/22	1.000 EA
LC0034	CONNECTION LABEL	1.000 EA
NP1372L	ALUM UL CSA CE CC	1.000 EA
35PA1066	PKG GRP, PRINT PK1008A06	1.000 EA
LB1617	UKCA COMPLIANCE STICKER	1.000 EA

AC Induction Motor Performance Data

Record # 35108

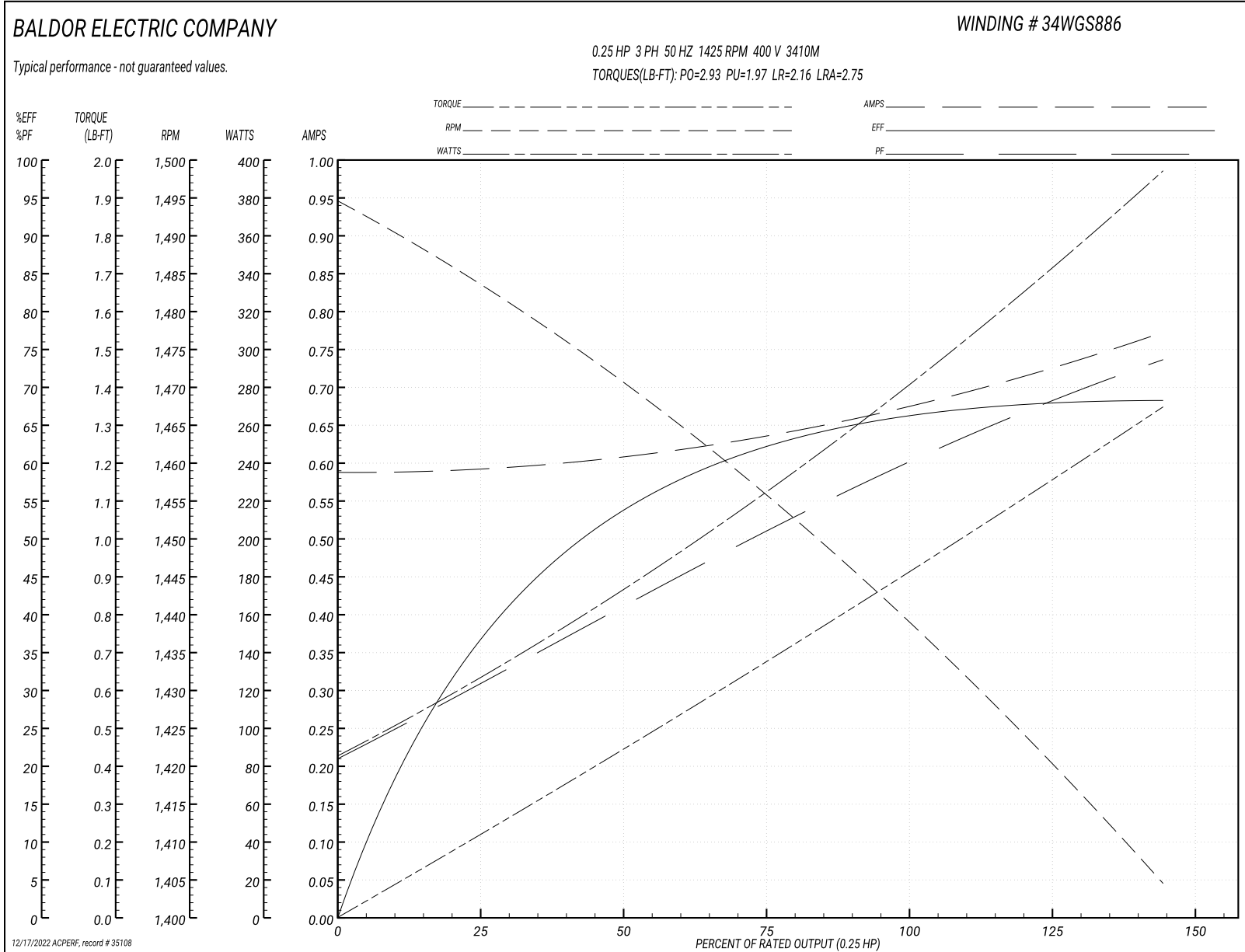
Typical performance - not guaranteed values

Winding: 34WGS886-R001		Type: 3410M	Enclosure: TEFC
Nameplate Data		400 V, 50 Hz: High Voltage Connection	
Rated Output (HP)	.25	Full Load Torque	0.901 LB-FT
Volts	230/400	Start Configuration	direct on line
Full Load Amps	1.2/.7	Breakdown Torque	2.93 LB-FT
R.P.M.	1425	Pull-up Torque	1.97 LB-FT
Hz	50 Phase	Locked-rotor Torque	2.16 LB-FT
NEMA Design Code	B KVA Code	Starting Current	2.75 A
Service Factor (S.F.)	1.25	No-load Current	0.59 A
NEMA Nom. Eff.	64 Power Factor	Line-line Res. @ 25°C	72 Ω
Rating - Duty	40C AMB-CONT	Temp. Rise @ Rated Load	53°C
S.F. Amps	1.3/.75	Temp. Rise @ S.F. Load	60°C
		Locked-rotor Power Factor	80
		Rotor inertia	0.0238 LB-FT ²

Load Characteristics 400 V, 50 Hz, 0.25 HP

% of Rated Load	25	50	75	100	125	150	S.F.
Power Factor	30	42	51	59	67	74	67
Efficiency	37.9	53.7	61.9	66.1	68.2	68.2	68.2
Speed	1483	1470	1456	1440	1423	1404	1423
Line amperes	0.592	0.603	0.635	0.678	0.723	0.769	0.723

Performance Graph at 400V, 50Hz, 0.25HP Typical performance - Not guaranteed values



AC Induction Motor Performance Data

Record # 46459

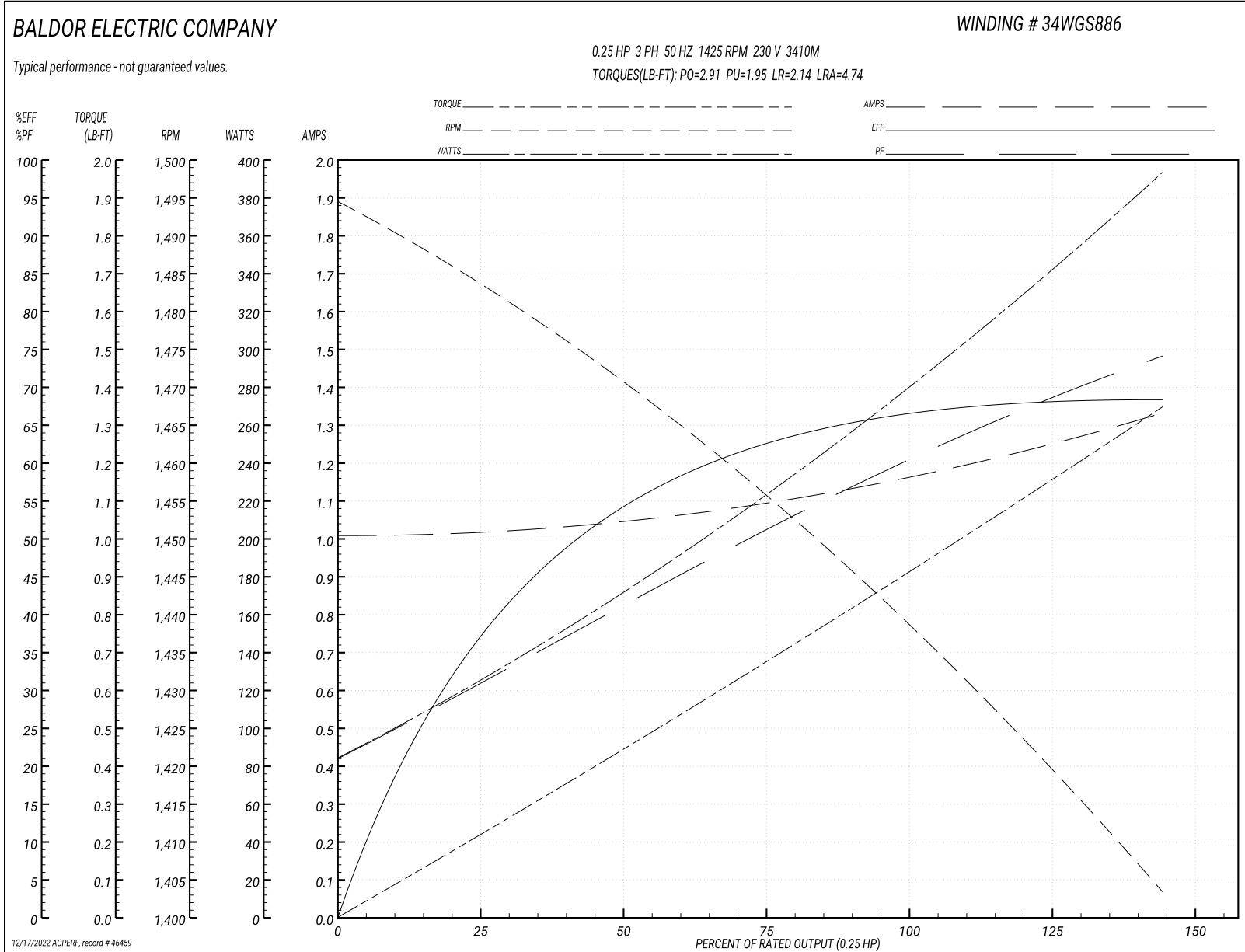
Typical performance - not guaranteed values

Winding: 34WGS886-R001		Type: 3410M		Enclosure: TEFC	
Nameplate Data			230 V, 50 Hz: Low Voltage Connection		
Rated Output (HP)	.25	Full Load Torque	0.901 LB-FT		
Volts	230/400	Start Configuration	direct on line		
Full Load Amps	1.2/.7	Breakdown Torque	2.91 LB-FT		
R.P.M.	1425	Pull-up Torque	1.95 LB-FT		
Hz	50 Phase	3	Locked-rotor Torque	2.14 LB-FT	
NEMA Design Code	B KVA Code	L	Starting Current	4.74 A	
Service Factor (S.F.)	1.25	No-load Current	1.01 A		
NEMA Nom. Eff.	64 Power Factor	59	Line-line Res. @ 25°C	24.1 Ω	
Rating - Duty	40C AMB-CONT	Temp. Rise @ Rated Load	52°C		
S.F. Amps	1.3/.75	Temp. Rise @ S.F. Load	59°C		
		Locked-rotor Power Factor	80		
		Rotor inertia	0.0238 LB-FT ²		

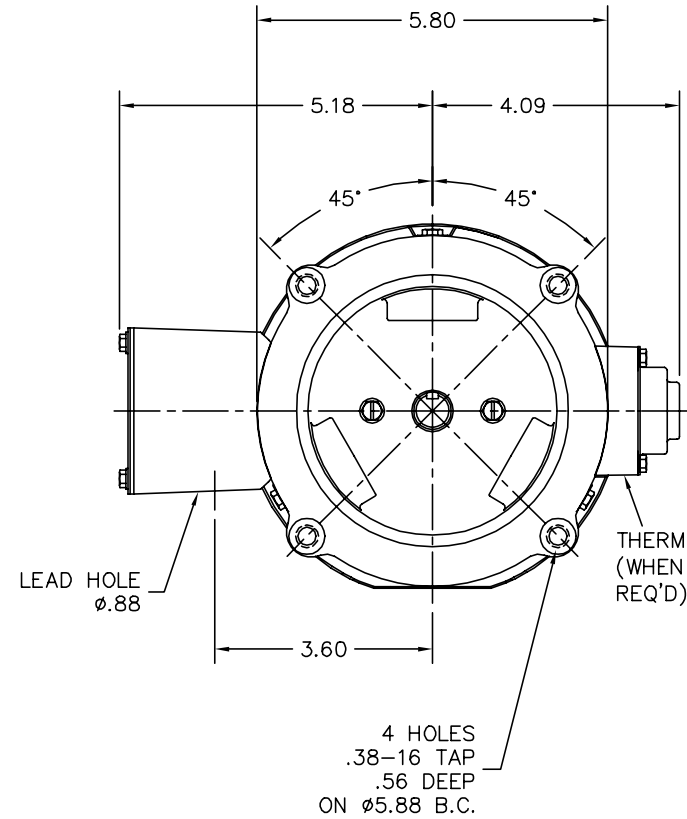
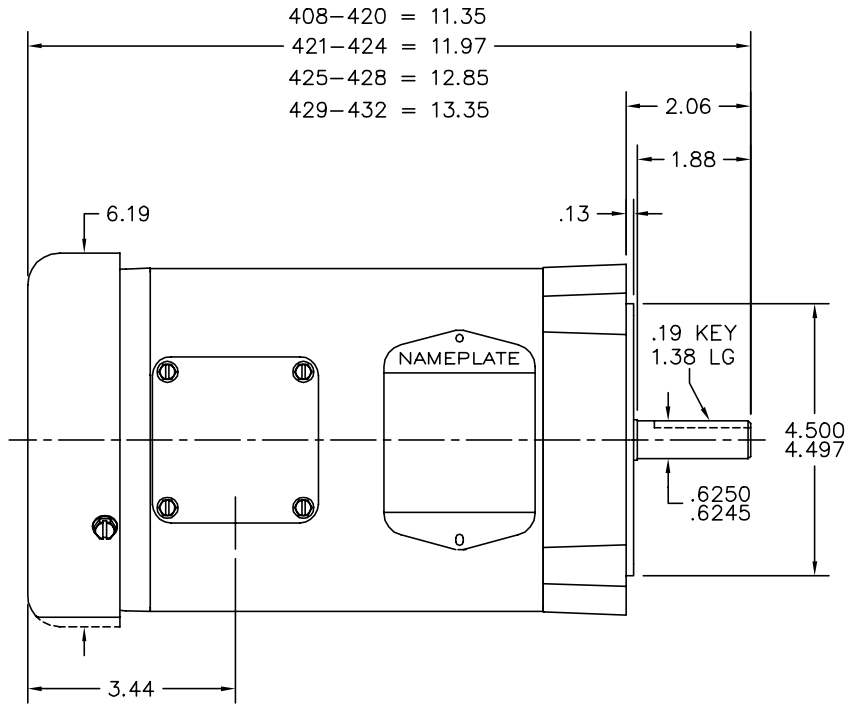
Load Characteristics 230 V, 50 Hz, 0.25 HP

% of Rated Load	25	50	75	100	125	150	S.F.
Power Factor	30	42	52	60	68	74	68
Efficiency	38.4	54.1	62.3	66.3	68.4	68.3	68.4
Speed	1483	1470	1456	1440	1422	1403	1422
Line amperes	1.02	1.04	1.09	1.17	1.24	1.33	1.24

Performance Graph at 230V, 50Hz, 0.25HP Typical performance - Not guaranteed values



34LYA063



CUSTOMER IS RESPONSIBLE FOR DETERMINING THAT BALDOR'S PRODUCT WILL PERFORM SUITABLY IN THE INTENDED APPLICATION.

REV. DESC: UPDAYE LAYOUT GRAPHICS		
REV. LTR: M	VERSION: 03	TDR: 000001189834
FILE: \AAA\00000\724	REVISED: 02:47:09 04/25/2022	BY: ENJEFDO
MTL: -	☉ □	

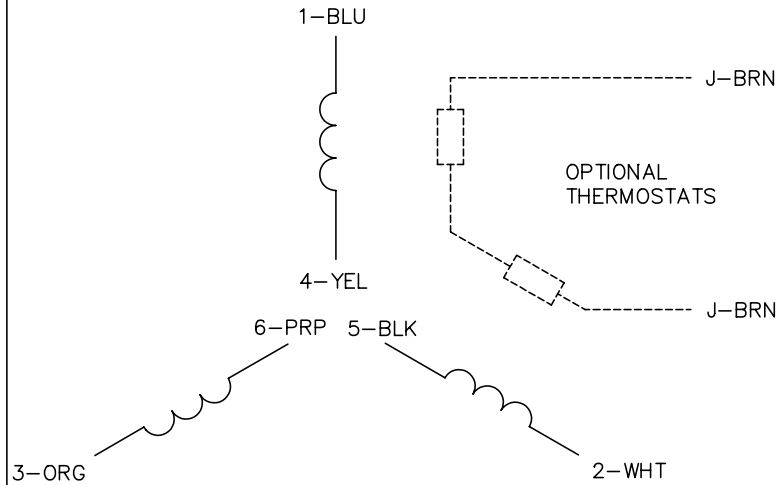
BALDOR - RELIANCE®

STD VERT 34M NEMA 56C TEFC

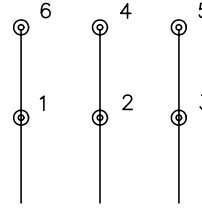
SH 1 of 1

34LYA063

CD0022

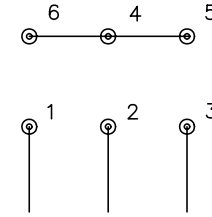


LOW VOLTAGE
(1D)



LINE

HIGH VOLTAGE
(1Y)



LINE

NOTES:

1. INTERCHANGE ANY TWO LINE LEADS TO REVERSE ROTATION.
2. OPTIONAL THERMOSTATS ARE PROVIDED WHEN SPECIFIED.
3. ACTUAL NUMBER OF INTERNAL PARALLEL CIRCUITS MAY BE A MULTIPLE OF THOSE SHOWN ABOVE.
4. LEAD COLORS ARE OPTIONAL. LEADS MUST ALWAYS BE NUMBERED AS SHOWN.

REV. DESC: REVISE TO SHOW OPTIONAL COLORS			
REV. LTR: F	BY: JLP	REVISED: 01/21/99 3:54	TDR: 0171435
CD0022		FILE: AAA00005144	MDL: -
		MTL: -	

BALDOR ELECTRIC Co.

3PH, DV, 6 LEADS, DELTA/WYE CONNECTION

CD0022