

BALDOR® • RELIANCE®

Customer information packet

EM2332T

10HP, 1180RPM, 3PH, 60HZ, 256T, 0960M, TEFC, F1

ELECTRIC MOTOR WHOLESALE.COM

Class - None

Division - Not Applicable

Specifications

Enclosure	TEFC
Frame	256T
Frame Material	Iron
Frequency	60.00 Hz
Output @ Frequency	10.000 HP @ 60 HZ
Phase	3
Synchronous Speed @ Frequency	1200 RPM @ 60 HZ
Voltage @ Frequency	460.0 V @ 60 HZ 230.0 V @ 60 HZ
XP Class and Group	None
XP Division	Not Applicable
Agency Approvals	CSA CSA EEV UR
Ambient Temperature	40 °C
Auxillary Box	No Auxillary Box
Auxillary Box Lead Termination	None
Base Indicator	Rigid
Bearing Grease Type	Polyrex EM (-20F +300F)
Blower	None
Current @ Voltage	14.100 A @ 460.0 V 28.200 A @ 230.0 V 30.000 A @ 208.0 V
Design Code	B
Drip Cover	No Drip Cover
Duty Rating	CONT
Efficiency @ 100% Load	91.0 %
Electrically Isolated Bearing	Not Electrically Isolated
Feedback Device	NO FEEDBACK
Front Face Code	Standard
Front Shaft Indicator	None
Heater Indicator	No Heater

Part detail

Revision	AA
Type	AC
Mech. spec.	09P11
Base	
Status	PRD/A
Elec. spec.	09WGT193
Layout	09LYP011
Eff. date	10-27-2020
CD Diagram	CD0005
Poles	06
Leads	9#12
Proprietary	False
Created date	05-05-2015

High Voltage Full Load Amps	14.1 a
Insulation Class	F
Inverter Code	Inverter Ready
KVA Code	H
Lifting Lugs	Standard Lifting Lugs
Locked Bearing Indicator	Locked Bearing
Motor Lead Exit	Ko Box
Motor Lead Quantity/Wire Size	9 @ 12 AWG
Motor Lead Termination	Flying Leads
Motor Standards	NEMA
Motor Type	0960M
Mounting Arrangement	F1
Number of Poles	6
Overall Length	23.28 IN
Power Factor	72
Product Family	General Purpose
Pulley End Bearing Type	Ball
Pulley Face Code	Standard
Pulley Shaft Indicator	Standard
Rodent Screen	None
Service Factor	1.15
Shaft Diameter	1.625 IN
Shaft Extension Location	Pulley End
Shaft Ground Indicator	No Shaft Grounding
Shaft Rotation	Reversible
Shaft Slinger Indicator	Shaft Slinger
Speed	1180 rpm
Speed Code	Single Speed
Starting Method	Direct on line
Thermal Device - Bearing	NONE (OLD)
Thermal Device - Winding	None
Vibration Sensor Indicator	No Vibration Sensor
Winding Thermal 1	None
Winding Thermal 2	None

Nameplate

NP3441LUA

CAT.NO.	EM2332T						
SPEC	09P011T193						
HP	10						
VOLTS	230/460						
AMPS	28.2/14.1						
RPM	1180						
FRAME	256T	HZ	60	PH	3		
SF	1.15	CODE	H	DES	B	CLASS	F
NEMA NOM. EFF	91	PF	72				
RATING	40C AMB-CONT						
CC	010A	USABLE AT 208V			30		
ENCL	TEFC	SER					
DE	6309	ODE	6208				
VPWM INVERTER READY							
CT6-60H(10:1)VT3-60H(20:1	50Hz 10HP 190/380V 33.2/16.6A					SF1.0	

Parts list

Part number	Description	Quantity
SA300198	SA 09P011T193	1.000 ea
RA287248	RA 09P011T193	1.000 ea
09FN3001D01SP	EXTERNAL FAN, PLASTIC	1.000 ea
HW1002A63	OASHER, 5/8 HI-COLLAR SPRLCKWASHER	1.000 ea
09CB3002SP	CB W/1.38 LEAD HOLE FOR 37, 39, 307 & 30	1.000 ea
09GS1000SP	GASKET-CONDUIT BOX, 1/16 THICK LEXIDE	1.000 ea
10XN2520K12	1/4-20 X.75 GRD 5	2.000 ea
HW1001A25	LOCKWASHER 1/4, ZINC PLT .493 OD, .255 I	2.000 ea
09EP1101A136	PU ENDPLATE, MACH	1.000 ea
WD1000B16	T&B CX70TN OR L70P TERMINAL LUG	1.000 ea
59XW2520G07	.25-20X.44,HEX SER WSHR,TAPTITE 2,GREEN	1.000 ea
XY3816A12	3/8-16 FINISHED NUT	4.000 ea
HW1001A38	LOCKWASHER 3/8, ZINC PLT .688 OD, .382 I	4.000 ea
HW5100A08	W3118-035 WVY WSHR (WB)	1.000 ea
HW4600B44	V-RING SLINGER 1.500 X 1.810 X .28 VITON	1.000 ea
10XN2520K36	1/4-20 X 2.25" HX HD SCRWGRADE 5, ZINC P	4.000 ea
HW1001A25	LOCKWASHER 1/4, ZINC PLT .493 OD, .255 I	4.000 ea
HA3113A02	THRUBOLT 3/8-16 X 16.750	4.000 ea
HW1001A38	LOCKWASHER 3/8, ZINC PLT .688 OD, .382 I	4.000 ea
09FH4000SP	309 FH - BLACK PRIMER	1.000 ea
HA2081A05	SPACER TUBE, 309 FAN HSG, 2.00 LONG	4.000 ea
XY3816A12	3/8-16 FINISHED NUT	4.000 ea
HW1001A38	LOCKWASHER 3/8, ZINC PLT .688 OD, .382 I	4.000 ea
09CB3501SP	CONDUIT BOX LID FOR 09CB3001 & 09CB3002	1.000 ea
09GS1013SP	09 GS FOR 09CB3501 LID - LEXIDE	1.000 ea
51XW2520A12	.25-20 X .75, TAPTITE II, HEX WSHR SLTD	2.000 ea
HW2501G25	KEY, 3/8 SQ X 2.875	1.000 ea
LB1115N	LABEL,LIFTING DEVICE (ON ROLLS)	1.000 ea
09EP1100A208	ENDPLATE, MACH	1.000 ea
HA4051A00	PLASTIC CAP FOR GREASE FITTING	1.000 ea
HW4500A05	1669B ALEM/UNIV860 GR FTG X	1.000 ea

HW4500A17	317400 ALEMITE GREASE RELIEF	1.000 ea
HA4066A01	PUSH IN T-DRAIN FITTING (BLACK)	1.000 ea
HW4500A03	GREASE FITTING, .125 NPT 1610(ALEMITE) 8	1.000 ea
HW4500A17	317400 ALEMITE GREASE RELIEF	1.000 ea
HA4066A01	PUSH IN T-DRAIN FITTING (BLACK)	1.000 ea
MJ1000A02	GREASE, MOBIL POLYREX EM - 124047	0.080 lb
HA4051A00	PLASTIC CAP FOR GREASE FITTING	1.000 ea
HW2500A25	WOODRUFF KEY USA #1008 #BLOW CARBON STEE	1.000 ea
MG1000Y03	MUNSELL 2.53Y 6.70/ 4.60, GLOSS 20,	0.050 ga
85XU0407S04	4X1/4 U DRIVE PIN STAINLESS	2.000 ea
LB1119N	WARNING LABEL	1.000 ea
LC0005	CONN.DIA.,TY M,9-LD,DUAL VOLT,REVERSING	1.000 ea
NP3441LUA	ALUM SUPER-E VPWM INV READY UL CSA-EEV C	1.000 ea
09PA1000	PACKAGING GROUP COMBINED PRINT	1.000 ea
MN416A01	TAG-INSTAL-MAINT no wire (1200/bx) 3/19	1.000 ea
LD7020D09	LEAD SET, 12AWG, 9 LEAD, 20" LONG LEADS	1.000 ea
PE-0000003	ZRTG PE ASSEMBLY	1.000 ea
FE-0000013	ZRTG FE ASSEMBLY	1.000 ea

Accessories

Part number	Description	Multiplier
09-1309	C FACE KIT	A8

AC Induction Motor Performance Data

Record # 50108

Typical performance - not guaranteed values

Winding: 09WGT193-R001		Type: 0960M		Enclosure: TEFC	
Nameplate Data			460 V, 60 Hz: High Voltage Connection		
Rated Output (HP)	10	Full Load Torque	44.3 LB-FT		
Volts	230/460	Start Configuration	direct on line		
Full Load Amps	28.2/14.1	Breakdown Torque	121 LB-FT		
R.P.M.	1180	Pull-up Torque	50.6 LB-FT		
Hz	60	Phase	3	Locked-rotor Torque	67 LB-FT
NEMA Design Code	B	KVA Code	H	Starting Current	81 A
Service Factor (S.F.)	1.15	No-load Current	6.84 A		
NEMA Nom. Eff.	91	Power Factor	72	Line-line Res. @ 25°C	0.746 Ω
Rating - Duty	40C AMB-CONT		Temp. Rise @ Rated Load	38°C	
S.F. Amps			Temp. Rise @ S.F. Load	46°C	
			Locked-rotor Power Factor	24.9	
			Rotor inertia	4.82 LB-FT ²	

Load Characteristics 460 V, 60 Hz, 10 HP

% of Rated Load	25	50	75	100	125	150	S.F.
Power Factor	36	57	67	72	74	75	73
Efficiency	85.8	90.7	91.9	91.7	91.1	89.4	91.3
Speed	1195	1191	1186	1181	1174	1166	1177
Line amperes	7.45	9.13	11.4	14.1	17.3	21.1	16

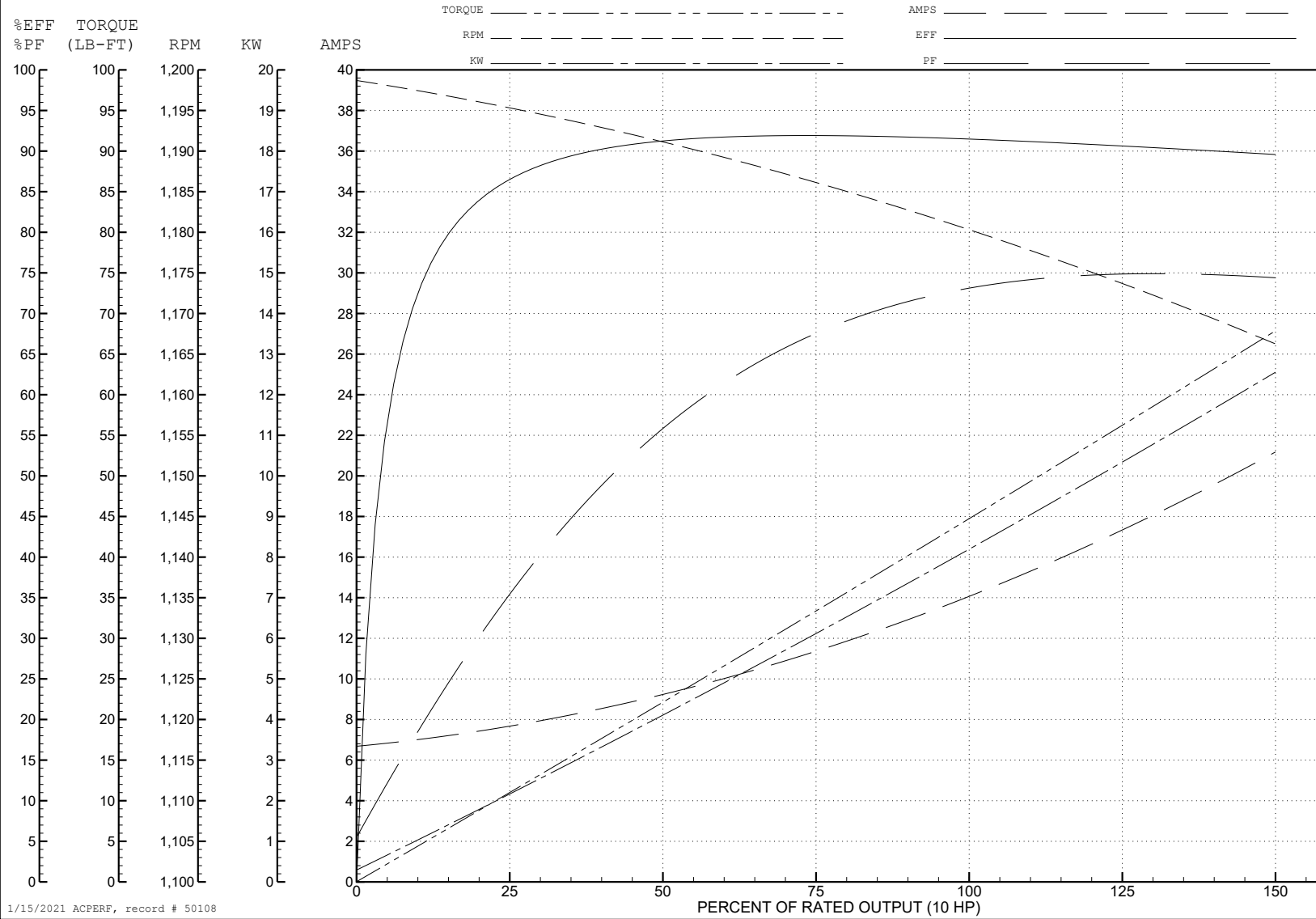
ABB Motors and Mechanical Inc.

WINDING # 09WGT193

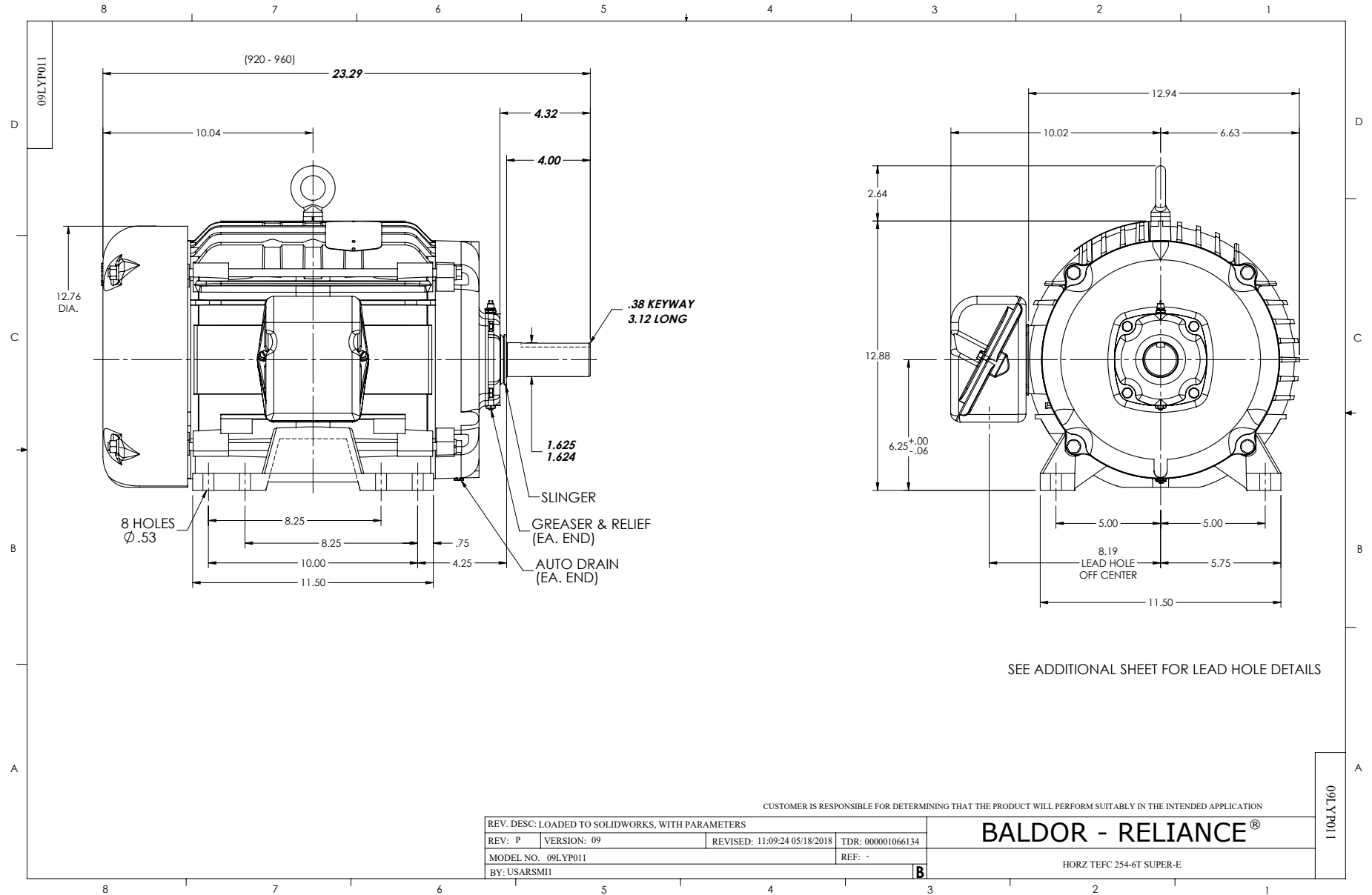
Typical performance - not guaranteed values.

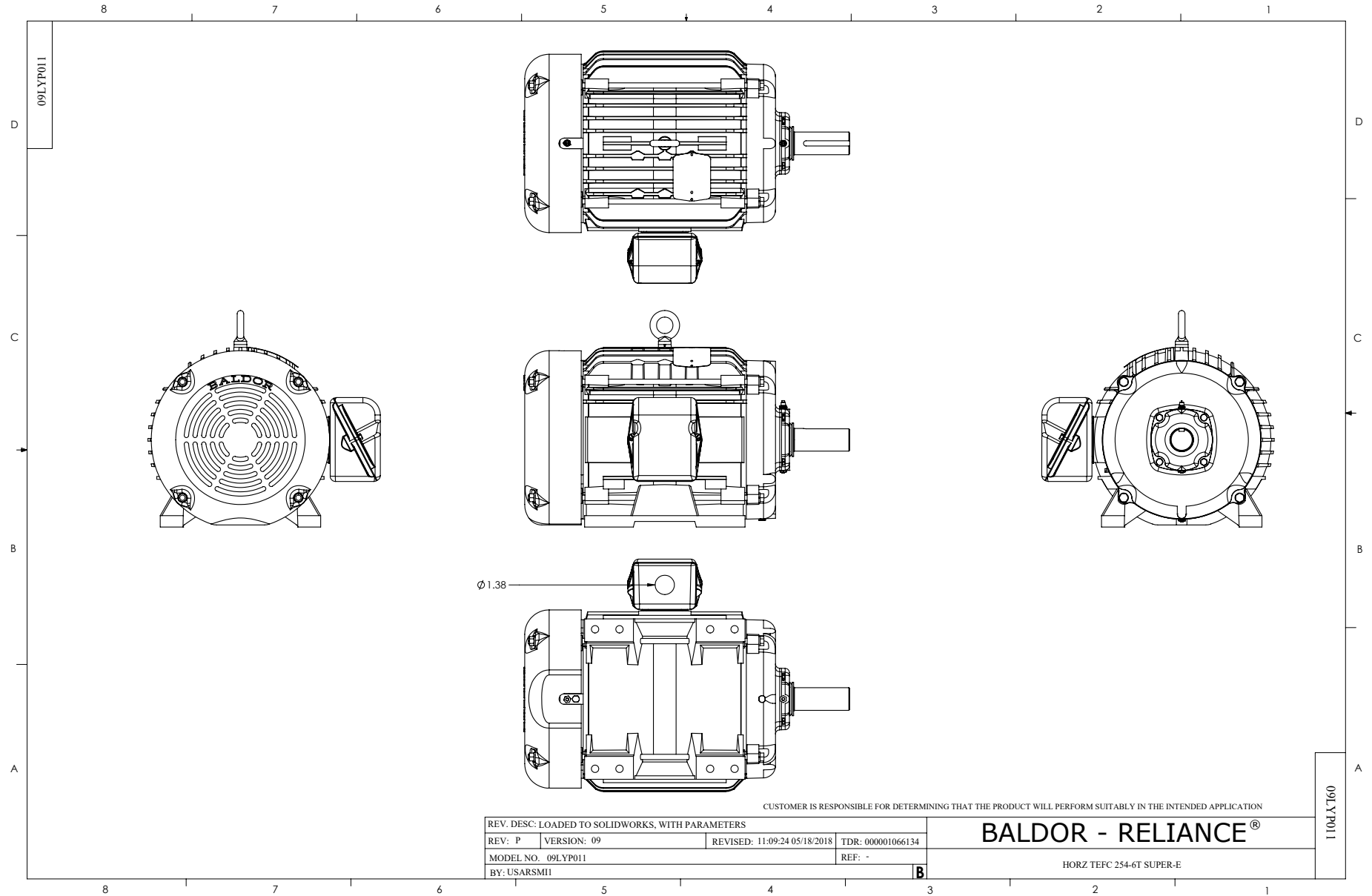
10 HP 3 PH 60 HZ 1180 RPM 460 V 0960M

TORQUES (LB-FT): PO=121 PU=50.6 LR=67 LRA=81

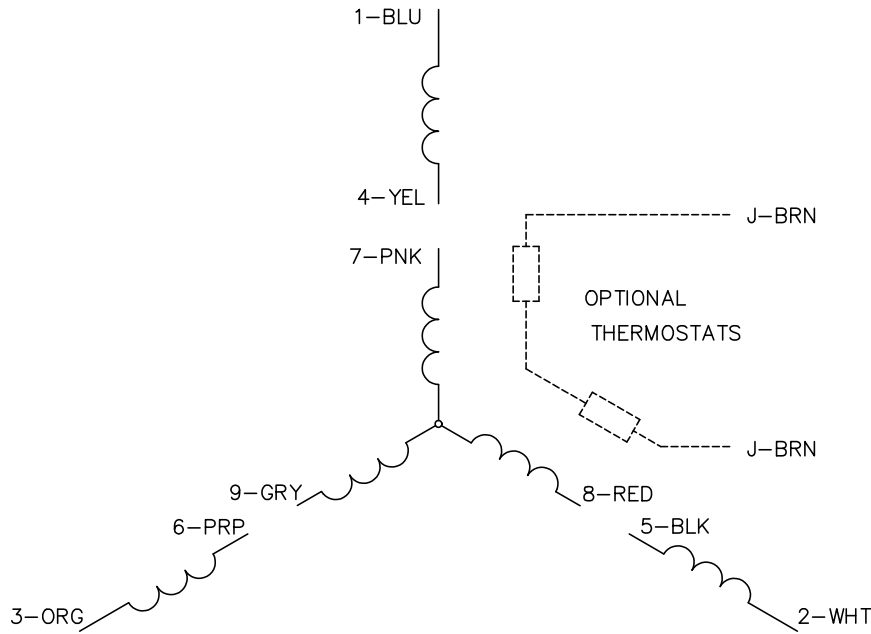


1/15/2021 ACPERF, record # 50108

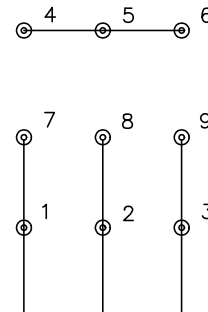




CD0005

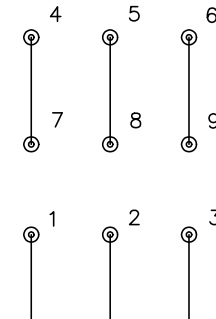


LOW VOLTAGE
(2Y)



LINE

HIGH VOLTAGE
(1Y)



LINE

NOTES:

1. INTERCHANGE ANY TWO LINE LEADS TO REVERSE ROTATION.
2. OPTIONAL THERMOSTATS ARE PROVIDED WHEN SPECIFIED.
3. ACTUAL NUMBER OF INTERNAL PARALLEL CIRCUITS MAY BE A MULTIPLE OF THOSE SHOWN ABOVE.
4. LEAD COLORS ARE OPTIONAL. LEADS MUST ALWAYS BE NUMBERED AS SHOWN.

REV. DESC: REVISE TO SHOW OPTIONAL COLORS			
REV. LTR: E	BY: JLP	REVISED: 01/19/99 10:15	TDR: 0171435
S00000		FILE: AAA00005140	MDL: -
		MTL: -	

BALDOR ELECTRIC Co.

3PH, DV, 9 LEADS

CD0005