



Customer information packet

CEM3771T

10HP, 3485RPM, 3PH, 60HZ, 215TC, 0730M, TEFC, F

ELECTRIC MOTOR WHOLESALE.COM

Class - None

Division - Not Applicable

Specifications

Enclosure	TEFC
Frame	215TC
Frame Material	Iron
Frequency	60.00 Hz
Output @ Frequency	10.000 HP @ 60 HZ
Phase	3
Synchronous Speed @ Frequency	3600 RPM @ 60 HZ
Voltage @ Frequency	460.0 V @ 60 HZ 230.0 V @ 60 HZ
XP Class and Group	None
XP Division	Not Applicable
Agency Approvals	CSA CSA EEV NEMA PREMIUM UR
Ambient Temperature	40 °C
Auxillary Box	No Auxillary Box
Auxillary Box Lead Termination	None
Base Indicator	Rigid
Bearing Grease Type	Polyrex EM (-20F +300F)
Blower	None
Current @ Voltage	25.200 A @ 208.0 V 23.400 A @ 230.0 V 11.700 A @ 460.0 V
Design Code	B
Drip Cover	No Drip Cover
Duty Rating	CONT
Efficiency @ 100% Load	90.2 %
Electrically Isolated Bearing	Not Electrically Isolated
Feedback Device	NO FEEDBACK
Front Shaft Indicator	None
Heater Indicator	No Heater

Part detail

Revision	-
Type	AC
Mech. spec.	07H058
Base	
Status	PRD/A
Elec. spec.	07WGT516
Layout	07LYH058
Eff. date	01-08-2021
CD Diagram	CD0005
Poles	02
Leads	9#14
Proprietary	False
Created date	01-05-2021

High Voltage Full Load Amps	11.7 a
Insulation Class	F
Inverter Code	Inverter Ready
KVA Code	G
Lifting Lugs	Standard Lifting Lugs
Locked Bearing Indicator	Locked Bearing
Motor Lead Quantity/Wire Size	9 @ 14 AWG
Motor Lead Termination	Flying Leads
Motor Standards	NEMA
Motor Type	0730M
Mounting Arrangement	F1
Number of Poles	2
Overall Length	19.20 IN
Power Factor	88
Product Family	General Purpose
Pulley End Bearing Type	Ball
Pulley Face Code	C-Face
Pulley Shaft Indicator	Standard
Rodent Screen	None
Service Factor	1.15
Shaft Diameter	1.375 IN
Shaft Ground Indicator	No Shaft Grounding
Shaft Rotation	Reversible
Shaft Slinger Indicator	No Slinger
Speed	3485 rpm
Speed Code	Single Speed
Starting Method	Direct on line
Thermal Device - Bearing	None
Thermal Device - Winding	None
Vibration Sensor Indicator	No Vibration Sensor
Winding Thermal 1	None
Winding Thermal 2	None

Nameplate

NP3441LUA

CAT.NO.	CEM3771T						
SPEC	07H058T516G1						
HP	10						
VOLTS	230/460						
AMPS	23.4/11.7						
RPM	3485						
FRAME	215TC	HZ	60	PH	3		
SF	1.15	CODE	G	DES	B	CLASS	F
NEMA NOM. EFF	90.2	PF	88				
RATING	40C AMB-CONT						
CC	010A	USABLE AT 208V			25.2		
ENCL	TEFC	SER					
DE	6307	ODE	6206				
VPWM INVERTER READY							
CT6-60H(10:1)VT3-60H(20:1	50HZ 10HP 190/380V 30/15.0 A					SF1.0	

Parts list

Part number	Description	Quantity
SA389301	SA 07H058T516G1	1.000 ea
RA379677	RA 07H058T516G1	1.000 ea
36FN3000C02SP	EXFN, PLASTIC, 5.25 OD, 1.175 ID	1.000 ea
HW3201A05	3/8-16 EYEBOLT	1.000 ea
09CB3002SP	CB W/1.38 LEAD HOLE FOR 37, 39, 307 & 30	1.000 ea
09GS1000SP	GASKET-CONDUIT BOX, 1/16 THICK LEXIDE	1.000 ea
51XW2520A12	.25-20 X .75, TAPTITE II, HEX WSHR SLTD	2.000 ea
59XW2520G07	.25-20X.44,HEX SER WSHR,TAPTITE 2,GREEN	1.000 ea
37EP1100A41	FR ENDPLATE ASSEMBLY FOR ROUTING	1.000 ea
HW4500A17	317400 ALEMITE GREASE RELIEF	1.000 ea
HW4500A01	1641B(ALEMITE)400 UNIV, GREASE FITT	1.000 ea
HW5100A06	W2420-025 WVY WSHR (WB)	1.000 ea
37PE1300A10	PUEP ASSEMBLY FOR ROUTING	1.000 ea
HW4500A17	317400 ALEMITE GREASE RELIEF	1.000 ea
HW4500A01	1641B(ALEMITE)400 UNIV, GREASE FITT	1.000 ea
10XN2520A30	HEX HD CAP SCREW-STD THD-.25 X 20 THD PE	4.000 ea
HW1001A25	LOCKWASHER 1/4, ZINC PLT .493 OD, .255 I	4.000 ea
XY3118A12	5/16-18 HEX NUT DIRECTIONAL SERRATION	4.000 ea
51XB1214A20	12-14X1.25 HXWSSLD SERTYB	1.000 ea
07FH4007SP	PRIMED	1.000 ea
51XW1032A06	10-32 X .38, TAPTITE II, HEX WSHR SLTD S	3.000 ea
09CB3501SP	CONDUIT BOX LID FOR 09CB3001 & 09CB3002	1.000 ea
09GS1013SP	09 GS FOR 09CB3501 LID - LEXIDE	1.000 ea
51XW2520A12	.25-20 X .75, TAPTITE II, HEX WSHR SLTD	2.000 ea
HW2501F21	KEY, 5/16 SQ X 2.375	1.000 ea
HA7000A02	KEY RETAINER RING, 1 1/8 DIA, 1 3/8 DIA	1.000 ea
85XU0407S04	4X1/4 U DRIVE PIN STAINLESS	2.000 ea
LB1115N	LABEL,LIFTING DEVICE (ON ROLLS)	1.000 ea
MJ1000A02	GREASE, MOBIL POLYREX EM - 124047	0.050 lb
HA3104A32	THRUBOLT- 5/16-18 X12.750	4.000 ea
MG1000Y03	MUNSELL 2.53Y 6.70/ 4.60, GLOSS 20,	0.036 ga

LC0005E01	CONN.DIA./WARNING LABEL (LC0005/LB1119N)	1.000 ea
NP3441LUA	ALUM SUPER-E VPWM INV READY UL CSA-EEV C	1.000 ea
07PA1011	PKG GRP, 07 CAST IRON PK1181	1.000 ea
MN416A01	TAG-INSTAL-MAINT no wire (1200/bx) 3/19	1.000 ea

AC Induction Motor Performance Data

Record # 86063

Typical performance - not guaranteed values

Winding: 07WGT516-R001		Type: 0730M		Enclosure: TEFC	
Nameplate Data			460 V, 60 Hz: High Voltage Connection		
Rated Output (HP)	10	Full Load Torque	15.1 LB-FT		
Volts	230/460	Start Configuration	direct on line		
Full Load Amps	23.4/11.7	Breakdown Torque	44.8 LB-FT		
R.P.M.	3485	Pull-up Torque	16.4 LB-FT		
Hz	60 Phase	3	Locked-rotor Torque	23.5 LB-FT	
NEMA Design Code	B KVA Code	G	Starting Current	75.4 A	
Service Factor (S.F.)	1.15		No-load Current	3.77 A	
NEMA Nom. Eff.	90.2 Power Factor	88	Line-line Res. @ 25°C	1.13 Ω	
Rating - Duty	40C AMB-CONT		Temp. Rise @ Rated Load	68°C	
S.F. Amps	27/13.5		Temp. Rise @ S.F. Load	91°C	
			Locked-rotor Power Factor	39.1	
			Rotor inertia	0.273 lb-ft ²	

Load Characteristics 460 V, 60 Hz, 10 HP

% of Rated Load	25	50	75	100	125	150	S.F.
Power Factor	57	78	85	88	89	89	89
Efficiency	87.7	91.1	91.1	90.2	88.5	86.6	89.3
Speed	3573	3547	3518	3486	3451	3410	3466
Line amperes	4.65	6.59	9.02	11.7	14.8	18.1	13.5

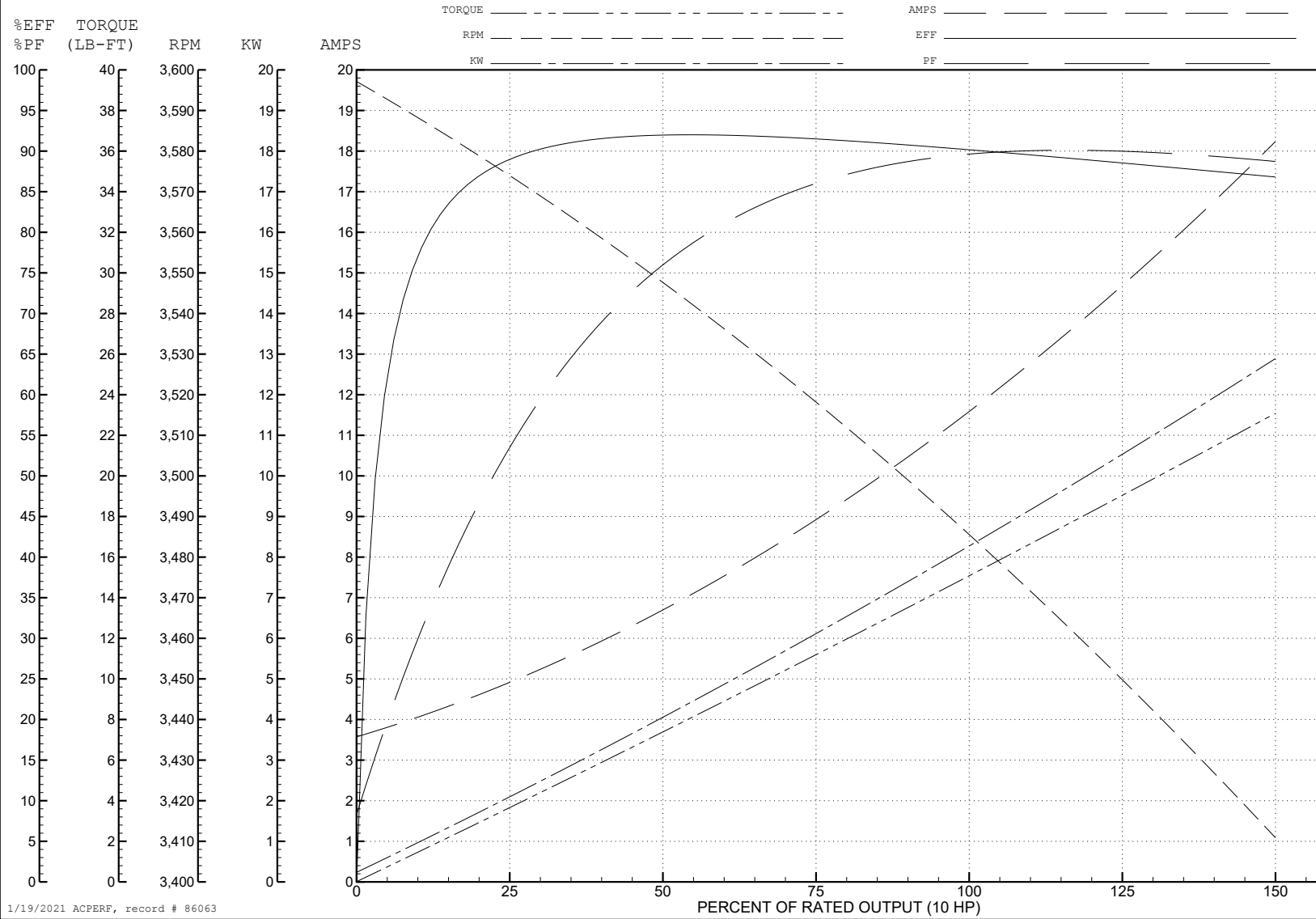
ABB Motors and Mechanical Inc.

WINDING # 07WGT516

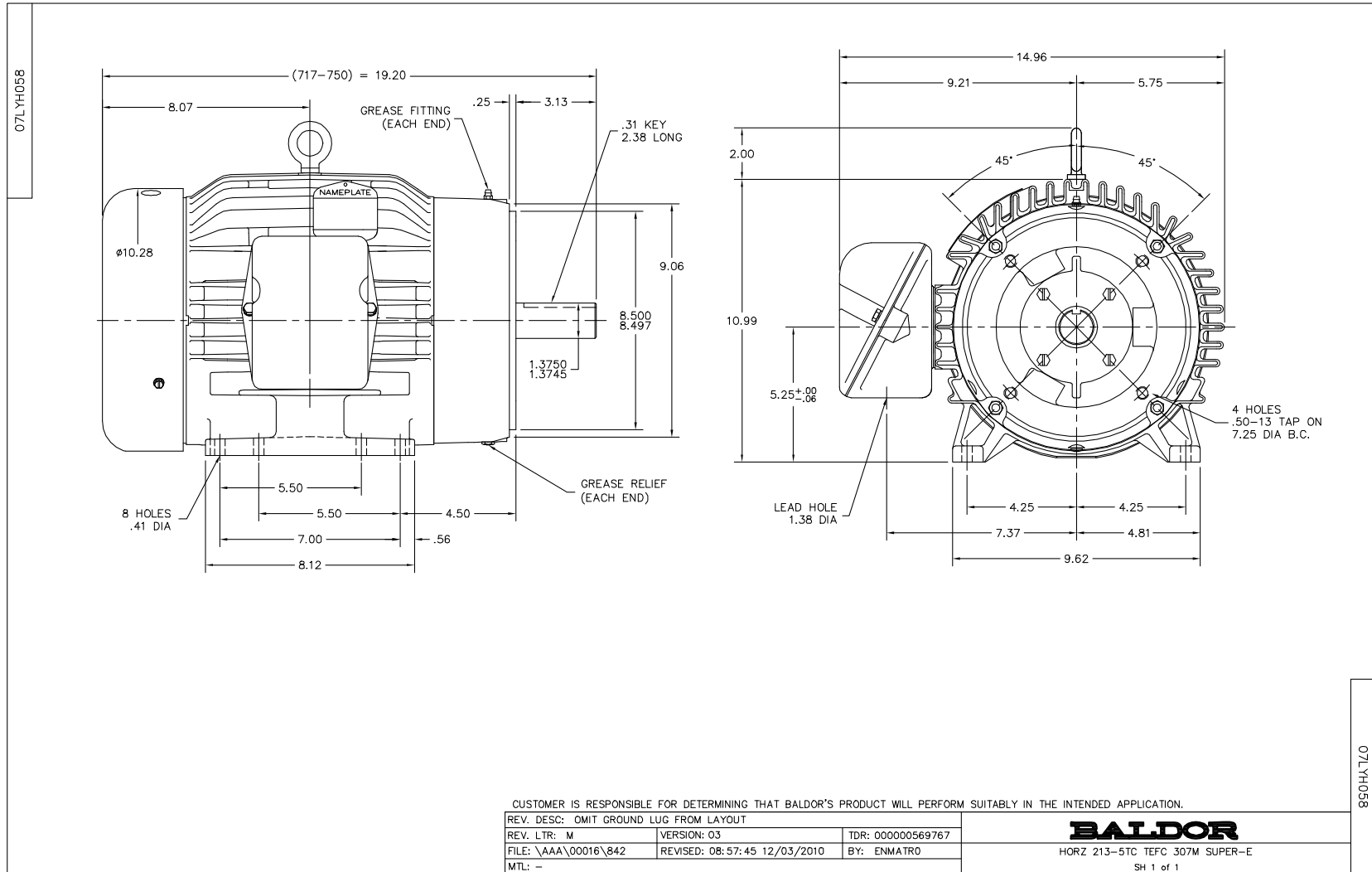
Typical performance - not guaranteed values.

10 HP 3 PH 60 HZ 3485 RPM 460 V 0730M

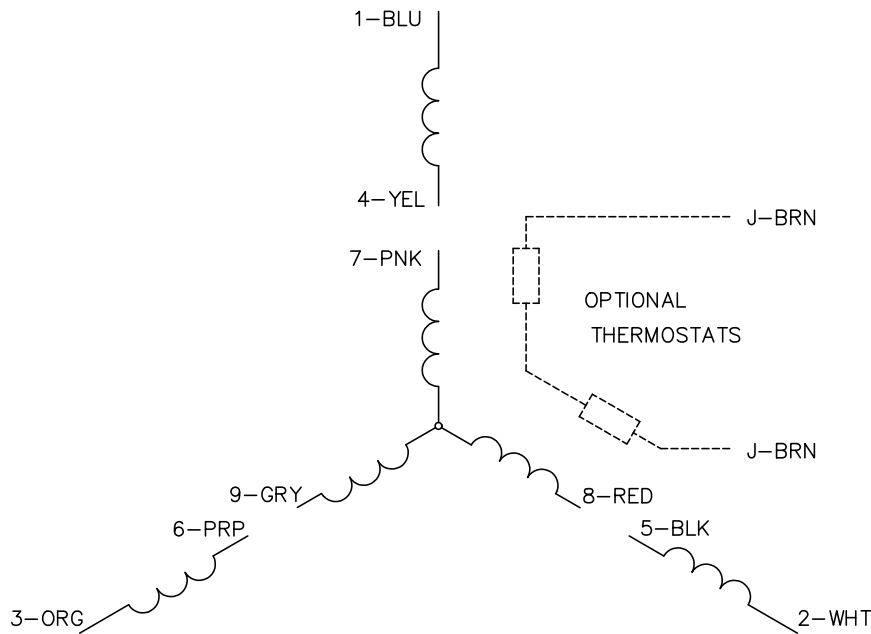
TORQUES (LB-FT): PO=44.8 PU=16.4 LR=23.5 LRA=75.4



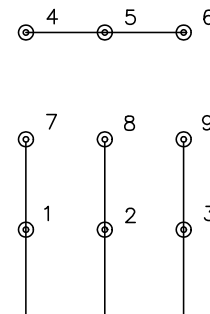
1/19/2021 ACPERF, record # 86063



CD0005

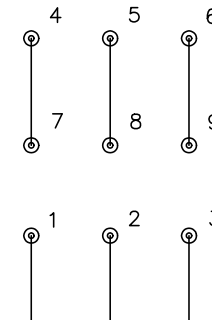


LOW VOLTAGE
(2Y)



LINE

HIGH VOLTAGE
(1Y)



LINE

NOTES:

1. INTERCHANGE ANY TWO LINE LEADS TO REVERSE ROTATION.
2. OPTIONAL THERMOSTATS ARE PROVIDED WHEN SPECIFIED.
3. ACTUAL NUMBER OF INTERNAL PARALLEL CIRCUITS MAY BE A MULTIPLE OF THOSE SHOWN ABOVE.
4. LEAD COLORS ARE OPTIONAL. LEADS MUST ALWAYS BE NUMBERED AS SHOWN.

REV. DESC: REVISE TO SHOW OPTIONAL COLORS			
REV. LTR: E	BY: JLP	REVISED: 01/19/99 10:15	TDR: 0171435
S00000		FILE: AAA00005140	MDL: -
		MTL: -	

BALDOR ELECTRIC Co.

3PH, DV, 9 LEADS

CD0005