



---

# Customer information packet

## CEM3714T

10HP, 1770RPM, 3PH, 60HZ, 215TC, 3752M, TEFC, F

ELECTRIC MOTOR WHOLESALE.COM

Class - None

Division - Not Applicable

## Specifications

|                                |  |
|--------------------------------|--|
| Enclosure                      | TEFC   |
| Frame                          | 215TC  |
| Frame Material                 | Steel  |
| Frequency                      | 60.00 Hz   |
| Output @ Frequency             | 10.000 HP @ 60 HZ  |
| Phase                          | 3  |
| Synchronous Speed @ Frequency  | 1800 RPM @ 60 HZ   |
| Voltage @ Frequency            | 230.0 V @ 60 HZ<br>460.0 V @ 60 HZ                             |
| XP Class and Group             | None   |
| XP Division                    | Not Applicable   |
| Agency Approvals               | CSA<br>CSA EEV<br>NEMA PREMIUM<br>UR                           |
| Ambient Temperature            | 40 °C  |
| Auxillary Box                  | No Auxillary Box   |
| Auxillary Box Lead Termination | None   |
| Base Indicator                 | Rigid  |
| Bearing Grease Type            | Polyrex EM (-20F +300F)  |
| Blower                         | None   |
| Current @ Voltage              | 25.000 A @ 230.0 V<br>27.000 A @ 208.0 V<br>12.500 A @ 460.0 V |
| Design Code                    | A  |
| Drip Cover                     | No Drip Cover  |
| Duty Rating                    | CONT   |
| Efficiency @ 100% Load         | 91.7 %   |
| Electrically Isolated Bearing  | Not Electrically Isolated                                      |
| Feedback Device                | NO FEEDBACK  |
| Front Shaft Indicator          | None   |
| Heater Indicator               | No Heater  |

## Part detail

|              |            |
|--------------|------------|
| Revision     | A          |
| Type         | AC         |
| Mech. spec.  | 37G814     |
| Base         |            |
| Status       | PRD/A      |
| Elec. spec.  | 37WGL865   |
| Layout       | 37LYG814   |
| Eff. date    | 12-14-2020 |
| CD Diagram   | CD0005     |
| Poles        | 04         |
| Leads        | 9#14       |
| Proprietary  | False      |
| Created date | 11-11-2020 |

|                               |                       |
|-------------------------------|-----------------------|
| High Voltage Full Load Amps   | 12.5 a                |
| Insulation Class              | F                     |
| Inverter Code                 | Inverter Ready        |
| KVA Code                      | K                     |
| Lifting Lugs                  | Standard Lifting Lugs |
| Locked Bearing Indicator      | Locked Bearing        |
| Motor Lead Quantity/Wire Size | 9 @ 14 AWG            |
| Motor Lead Termination        | Flying Leads          |
| Motor Standards               | NEMA                  |
| Motor Type                    | 3752M                 |
| Mounting Arrangement          | F1                    |
| Number of Poles               | 4                     |
| Overall Length                | 21.26 IN              |
| Power Factor                  | 85                    |
| Product Family                | General Purpose       |
| Pulley End Bearing Type       | Ball                  |
| Pulley Face Code              | C-Face                |
| Pulley Shaft Indicator        | Standard              |
| Rodent Screen                 | None                  |
| RoHS Status                   | ROHS COMPLIANT        |
| Service Factor                | 1.15                  |
| Shaft Diameter                | 1.375 IN              |
| Shaft Ground Indicator        | No Shaft Grounding    |
| Shaft Rotation                | Reversible            |
| Shaft Slinger Indicator       | No Slinger            |
| Speed                         | 1770 rpm              |
| Speed Code                    | Single Speed          |
| Starting Method               | Direct on line        |
| Thermal Device - Bearing      | None                  |
| Thermal Device - Winding      | None                  |
| Vibration Sensor Indicator    | No Vibration Sensor   |
| Winding Thermal 1             | None                  |
| Winding Thermal 2             | None                  |

**Nameplate**

**NP3441LUA**

|                                  |                               |                       |      |            |   |              |       |
|----------------------------------|-------------------------------|-----------------------|------|------------|---|--------------|-------|
| <b>CAT.NO.</b>                   | CEM3714T                      |                       |      |            |   |              |       |
| <b>SPEC</b>                      | 37G814L865G1                  |                       |      |            |   |              |       |
| <b>HP</b>                        | 10                            |                       |      |            |   |              |       |
| <b>VOLTS</b>                     | 230/460                       |                       |      |            |   |              |       |
| <b>AMPS</b>                      | 25/12.5                       |                       |      |            |   |              |       |
| <b>RPM</b>                       | 1770                          |                       |      |            |   |              |       |
| <b>FRAME</b>                     | 215TC                         | <b>HZ</b>             | 60   | <b>PH</b>  | 3 |              |       |
| <b>SF</b>                        | 1.15                          | <b>CODE</b>           | K    | <b>DES</b> | A | <b>CLASS</b> | F     |
| <b>NEMA NOM. EFF</b>             | 91.7                          | <b>PF</b>             | 85   |            |   |              |       |
| <b>RATING</b>                    | 40C AMB-CONT                  |                       |      |            |   |              |       |
| <b>CC</b>                        | 010A                          | <b>USABLE AT 208V</b> |      |            |   | 27           |       |
| <b>ENCL</b>                      | TEFC                          | <b>SER</b>            |      |            |   |              |       |
| <b>DE</b>                        | 6307                          | <b>ODE</b>            | 6206 |            |   |              |       |
| <b>VPWM INVERTER READY</b>       |                               |                       |      |            |   |              |       |
| <b>CT6-60H(10:1)VT3-60H(20:1</b> | 50HZ 10HP 190/380V 29.8/14.9A |                       |      |            |   |              | SF1.0 |

## Parts list

| Part number | Description                              | Quantity |
|-------------|--|----------|
| SA387939    | SA 37G814L865G1                          | 1.000 ea |
| RA378279    | RA 37G814L865G1                          | 1.000 ea |
| HW3200A01   | 3/8-16X3/4 I-BLT WELDED F/S              | 1.000 ea |
| 37CB3006    | 37 CB CASTING W/1.38 LEAD HOLE @ 6:00    | 1.000 ea |
| 37GS1000SP  | GASKET, CONDUIT BOX STD., .06 THICK LEXI | 1.000 ea |
| 51XW2520A12 | .25-20 X .75, TAPTITE II, HEX WSHR SLTD  | 2.000 ea |
| 11XW1032G06 | 10-32 X .38, TAPTITE II, HEX WSHR SLTD U | 1.000 ea |
| 37EP3101A01 | FR ENDPLATE, FOR ROUTING PURPOSES        | 1.000 ea |
| HW4500A01   | 1641B(ALEMITE)400 UNIV, GREASE FITT      | 1.000 ea |
| HW5100A06   | W2420-025 WVY WSHR (WB)                  | 1.000 ea |
| 37PE3300A01 | PUEP ASSEMBLY FOR ROUTING                | 1.000 ea |
| HW4500A01   | 1641B(ALEMITE)400 UNIV, GREASE FITT      | 1.000 ea |
| 10XN2520A30 | HEX HD CAP SCREW-STD THD-.25 X 20 THD PE | 4.000 ea |
| HW1001A25   | LOCKWASHER 1/4, ZINC PLT .493 OD, .255 I | 4.000 ea |
| XY3118A12   | 5/16-18 HEX NUT DIRECTIONAL SERRATION    | 4.000 ea |
| 51XB1214A20 | 12-14X1.25 HXWSSLD SERTYB                | 1.000 ea |
| 37FN3002C01 | EXFN, PLASTIC, 6.00 OD, 1.155 ID         | 1.000 ea |
| 07FH4007SP  | PRIMED                                   | 1.000 ea |
| 51XW1032A06 | 10-32 X .38, TAPTITE II, HEX WSHR SLTD S | 3.000 ea |
| 37CB4516    | LIPPED LID FOR 37 FRAME NEC KOBX         | 1.000 ea |
| 37GS1008    | 37 GS FOR CB LID - LEXIDE                | 1.000 ea |
| 51XW0832A07 | 8-32 X .44, TAPTITE II, HEX WSHR SLTD SE | 4.000 ea |
| HW2501F21   | KEY, 5/16 SQ X 2.375                     | 1.000 ea |
| HA7000A02   | KEY RETAINER RING, 1 1/8 DIA, 1 3/8 DIA  | 1.000 ea |
| 85XU0407S04 | 4X1/4 U DRIVE PIN STAINLESS              | 2.000 ea |
| LB1115N     | LABEL,LIFTING DEVICE (ON ROLLS)          | 1.000 ea |
| MJ1000A02   | GREASE, MOBIL POLYREX EM - 124047        | 0.050 lb |
| HA3104A25   | THRUBOLT .31-18 X 14.75                  | 4.000 ea |
| MG1000Y03   | MUNSELL 2.53Y 6.70/ 4.60, GLOSS 20,      | 0.028 ga |
| LC0005E01   | CONN.DIA./WARNING LABEL (LC0005/LB1119N) | 1.000 ea |
| NP3441LUA   | ALUM SUPER-E VPWM INV READY UL CSA-EEV C | 1.000 ea |

|             |   |          |
|-------------|---|----------|
| 37PA1074    | PALLET PACK GRP, PRINT BOX PK1026A06    | 1.000 ea |
| MN416A01    | TAG-INSTAL-MAINT no wire (1200/bx) 3/19 | 1.000 ea |
| 51XB1214A20 | 12-14X1.25 HXWSSLD SERTYB               | 1.000 ea |

---

## AC Induction Motor Performance Data

Record # 85459

Preliminary Data Sheet

| Winding: 37WGL865-RXXX |                   | Type: 3752M                                      | Enclosure: TEFC         |            |
|------------------------|-------------------|--|-------------------------|------------|
| <b>Nameplate Data</b>  |                   | <b>460 V, 60 Hz:<br/>High Voltage Connection</b> |                         |            |
| Rated Output (HP)      | 10                | Full Load Torque                                 | 29.7 LB-FT              |            |
| Volts                  | 230/460           | Start Configuration                              | direct on line          |            |
| Full Load Amps         | 25.0/12.5         | Breakdown Torque                                 | 102 LB-FT               |            |
| R.P.M.                 | 1770              | Pull-up Torque                                   | 46.9 LB-FT              |            |
| Hz                     | 60 Phase          | 3  | Locked-rotor Torque     | 62.2 LB-FT |
| NEMA Design Code       | A KVA Code        | K  | Starting Current        | 101 A      |
| Service Factor (S.F.)  | 1.15              | No-load Current                                  | 5.33 A                  |            |
| NEMA Nom. Eff.         | 91.7 Power Factor | 85   | Line-line Res. @ 25°C   | 0.982 Ω    |
| Rating - Duty          | 40C AMB-CONT      | Temp. Rise @ Rated Load                          | 69°C                    |            |
| S.F. Amps              | 28.2/14.6         | Temp. Rise @ S.F. Load                           | 92°C                    |            |
|                        |                   | Locked-rotor Power Factor                        | 42                      |            |
|                        |                   | Rotor inertia                                    | 1.28 lb-ft <sup>2</sup> |            |

## Load Characteristics 460 V, 60 Hz, 10 HP

| % of Rated Load | 25   | 50   | 75   | 100  | 125  | 150  | S.F. |
|-----------------|------|------|------|------|------|------|------|
| Power Factor    | 44   | 66   | 77   | 82   | 84   | 85   | 84   |
| Efficiency      | 88.7 | 92.3 | 92.7 | 92.2 | 91.3 | 90   | 91.4 |
| Speed           | 1793 | 1786 | 1778 | 1770 | 1761 | 1751 | 1762 |
| Line amperes    | 6.05 | 7.73 | 9.9  | 12.5 | 15.3 | 18.3 | 14.1 |

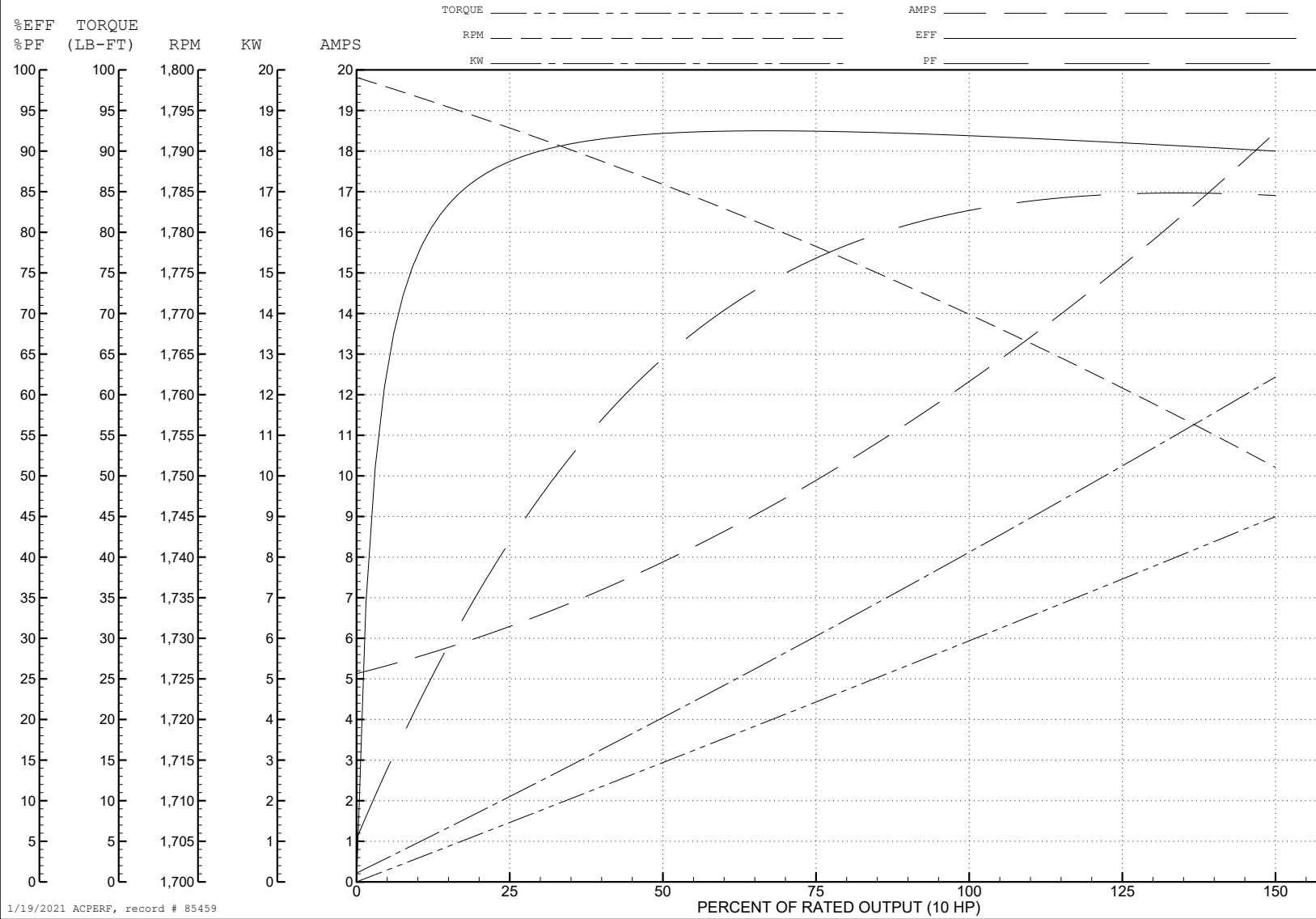
ABB Motors and Mechanical Inc.

WINDING # 37WGL865

Typical performance - not guaranteed values.

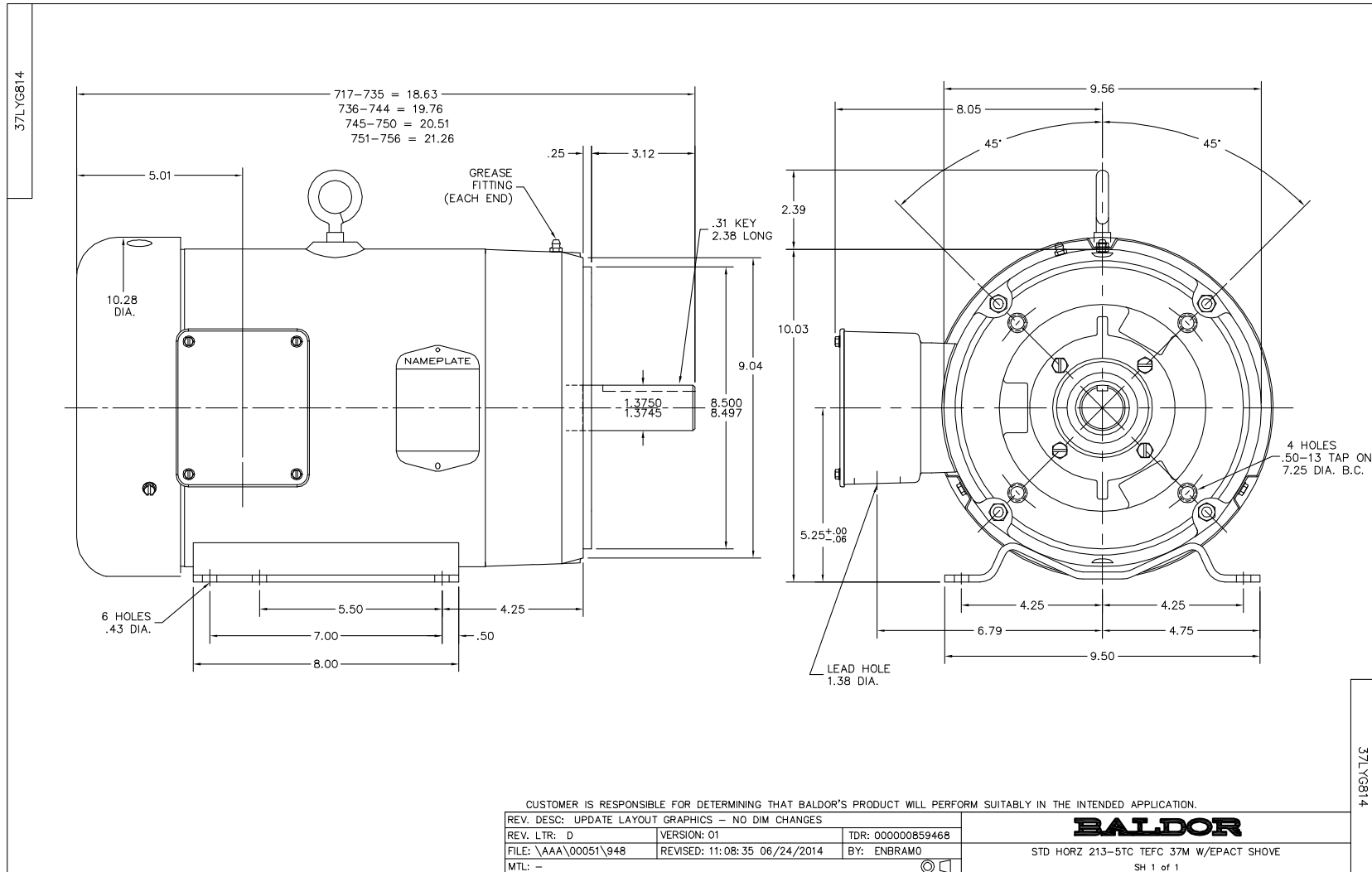
10 HP 3 PH 60 HZ 1770 RPM 460 V 3752M

TORQUES (LB-FT): PO=102 PU=46.9 LR=62.2 LRA=101

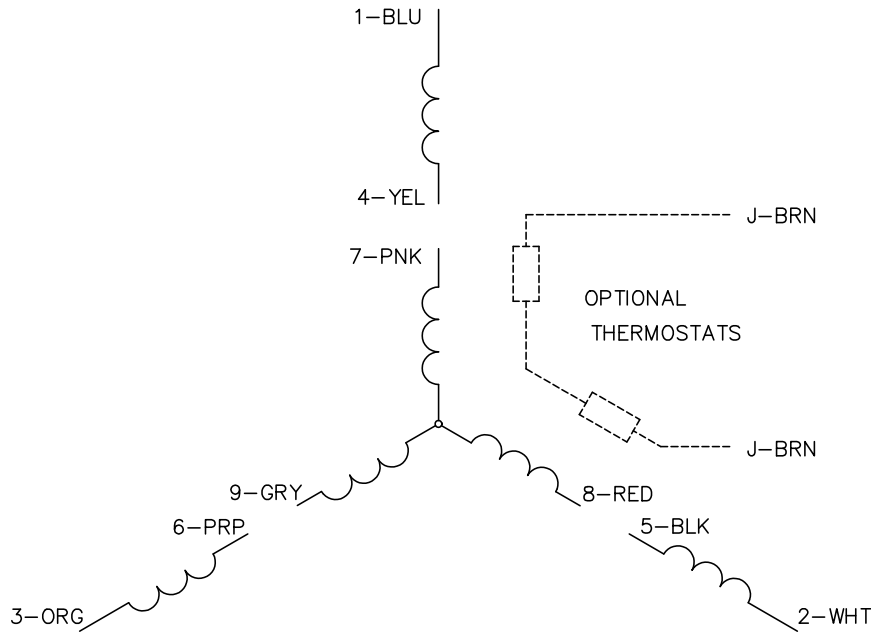


1/19/2021 ACPERF, record # 85459





CD0005

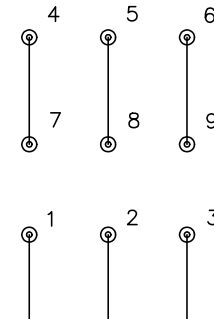


LOW VOLTAGE  
(2Y)



LINE

HIGH VOLTAGE  
(1Y)



LINE

NOTES:

1. INTERCHANGE ANY TWO LINE LEADS TO REVERSE ROTATION.
2. OPTIONAL THERMOSTATS ARE PROVIDED WHEN SPECIFIED.
3. ACTUAL NUMBER OF INTERNAL PARALLEL CIRCUITS MAY BE A MULTIPLE OF THOSE SHOWN ABOVE.
4. LEAD COLORS ARE OPTIONAL. LEADS MUST ALWAYS BE NUMBERED AS SHOWN.

CD0005

|   |         |                         |              |
|---|---------|-------------------------|--------------|
| REV. DESC: REVISE TO SHOW OPTIONAL COLORS |         |                         |              |
| REV. LTR: E                               | BY: JLP | REVISED: 01/19/99 10:15 | TDR: 0171435 |
| S00000                                    |         | FILE: AAA00005140       | MDL: -       |
|   |         | MTL: -                  |              |

**BALDOR ELECTRIC Co.**

3PH, DV, 9 LEADS